

## Modular Cooking Range Line ECO 70 Half Module Electric Char-Grill Top

ITEM # \_\_\_\_\_

MODEL # \_\_\_\_\_

NAME # \_\_\_\_\_

SIS # \_\_\_\_\_

AIA # \_\_\_\_\_



373239 (A7GREDGS0U) Half module electric grill top

### Short Form Specification

Item No. \_\_\_\_\_

To be installed on open base installations, bridging supports or cantilever systems. Heating via incoloy armoured heating elements placed below the cooking plate. Cooking surface grids in cast iron, easily removable for cleaning. Cast iron grids can be adjusted on two levels. Exterior panels in stainless steel with Scotch Brite finish. One piece pressed work top in 1.5 mm thick stainless steel. Right-angled side edges to allow flush-fitting junction between units.

### Main Features

- Unit to be mounted on open base cupboards, bridging supports or cantilever systems.
- Heating via incoloy armoured heating elements below the cooking plate.
- Stainless steel high splash guards on the rear and sides of cooking surface. Splash guards can be easily removed for cleaning and are dishwasher-safe.
- IPX4 water resistance certification.
- Scraper for cleaning of grilling grids included.
- Cast iron grids can be adjusted on two levels.
- Energy regulation through a control knob.
- Heating element can be tilted frontally for easy cleaning.
- The low temperature of the external panels allow to work in safety.

### Construction

- All exterior panels in Stainless Steel with Scotch Brite finishing.
- One piece pressed 1.5 mm work top in Stainless steel.
- Model has right-angled side edges to allow flush fitting joints between units, eliminating gaps and possible dirt traps.

### Optional Accessories

- Junction sealing kit  PNC 206086
- Support for bridge type installation, 800mm  PNC 206137
- Support for bridge type installation, 1000mm  PNC 206138
- Support for bridge type installation, 1200mm  PNC 206139
- Support for bridge type installation, 1400mm  PNC 206140
- Support for bridge type installation, 1600mm  PNC 206141
- Support for bridge type installation, 400mm  PNC 206154
- Frontal handrail 400 mm  PNC 206166
- Frontal handrail 800 mm  PNC 206167
- Large handrail (portioning shelf) 400 mm  PNC 206185
- Large handrail (portioning shelf) 800 mm  PNC 206186
- Frontal handrail 1200 mm  PNC 206191
- Frontal handrail 1600 mm  PNC 206192
- Right and left side handrails  PNC 206240

APPROVAL: \_\_\_\_\_



## Modular Cooking Range Line ECO 70 Half Module Electric Char-Grill Top

- Chimney upstand, 400mm PNC 206303
- 2 side covering panels, height 250 mm, depth 700 mm PNC 206320
- Base support for feet or wheels - 800mm (700/900 lines) PNC 206367
- Chimney grid net, 400mm PNC 206400
- GRIDS WITH DRAIN SHAPE 400MM-700RANGE PNC 206415
- KIT HEIGHT ADJUST.SUPP.GRILL GRIDS PNC 206418
- Scraper for grids with drainage channels - top grills PNC 206421
- Scraper for free standing grills PNC 206422



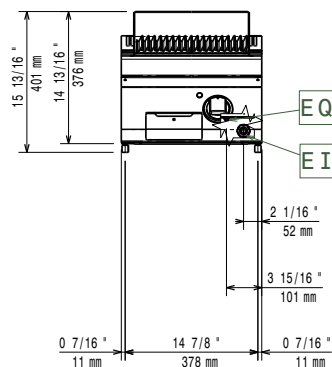
**Modular Cooking Range Line  
ECO 70 Half Module Electric Char-Grill Top**

The company reserves the right to make modifications to the products without prior notice. All information correct at time of printing.

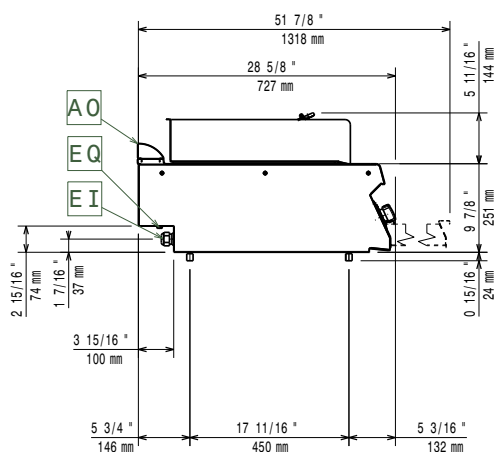
2018.06.14

# Modular Cooking Range Line ECO 70 Half Module Electric Char-Grill Top

**Front**

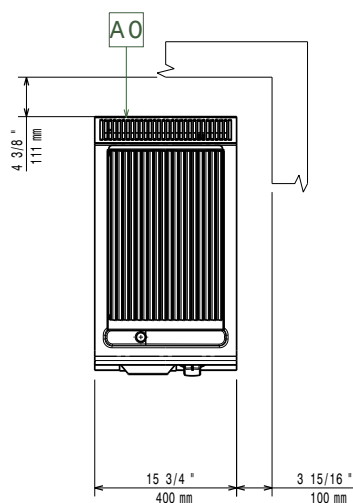


**Side**



- EI = Electrical connection
- EQ = Equipotential screw
- F = Fumes outlet

**Top**



## Electric

Supply voltage:	373239 (A7GREGDS0U)	380-400 V/3N ph/50/60 Hz
Electrical power, max:		4 kW
Total Watts:		4 kW

## Key Information

Cooking surface width:	316 mm
Cooking surface depth:	478 mm
Shipping weight:	39 kg
Shipping height:	540 mm
Shipping width:	500 mm
Shipping depth:	820 mm
Shipping volume:	0.22 m <sup>3</sup>

If appliance is set up or next to or against temperature sensitive furniture or similar, a safety gap of approximately 150 mm should be maintained or some form of heat insulation fitted.