

## Modular Cooking Range Line ECO 70 One Well Electric Fryer Top 7 liter

ITEM # \_\_\_\_\_

MODEL # \_\_\_\_\_

NAME # \_\_\_\_\_

SIS # \_\_\_\_\_

AIA # \_\_\_\_\_



373075 (A7FRED1B00)

7-lt electric fryer top with 1 "V" shape well (external heating elements) and 1 basket

### Short Form Specification

Item No. \_\_\_\_\_

To be installed on open base installations, bridging supports or cantilever systems. High efficiency infrared heating elements (5.4kW) attached to the outside of the well. Deep drawn V-shaped well. Oil drains through a tap on the front. Exterior panels in stainless steel with Scotch Brite finish. One piece pressed work top in 1.5 mm thick stainless steel. Right-angled side edges to allow flush-fitting junction between units.

### Main Features

- Unit to be mounted on open base cupboards, bridging supports or cantilever systems.
- Deep drawn V-Shaped well.
- High efficiency infrared heating elements (5,4kW) are attached to the outside of the well.
- Thermostatic regulation of oil temperature up to a maximum of 185 °C.
- Overheat protection thermostat as standard on all units.
- Oil drains through a tap positioned on the front the well.
- All major compartments located in front of unit for ease of maintenance.
- IPX 4 water protection.

### Construction

- Interior of well with rounded corners for ease of cleaning.
- All exterior panels in Stainless Steel with Scotch Brite finishing.
- One piece pressed 1.5 mm work top in Stainless steel.
- Model has right-angled side edges to allow flush fitting joints between units, eliminating gaps and possible dirt traps.

### Included Accessories

- 1 of Basket for 7lt top and free PNC 921608

### Optional Accessories

- Junction sealing kit PNC 206086
- Support for bridge type installation, 800mm PNC 206137
- Support for bridge type installation, 1000mm PNC 206138
- Support for bridge type installation, 1200mm PNC 206139
- Support for bridge type installation, 1400mm PNC 206140
- Support for bridge type installation, 1600mm PNC 206141
- Support for bridge type installation, 400mm PNC 206154
- Frontal handrail 400 mm PNC 206166
- Frontal handrail 800 mm PNC 206167
- Large handrail (portioning shelf) 400 mm PNC 206185
- Large handrail (portioning shelf) 800 mm PNC 206186

APPROVAL: \_\_\_\_\_



## Modular Cooking Range Line ECO 70 One Well Electric Fryer Top 7 liter

- Frontal handrail 1200 mm  PNC 206191
- Frontal handrail 1600 mm  PNC 206192
- Right and left side handrails  PNC 206240
- Chimney upstand, 400mm  PNC 206303
- 2 side covering panels, height 250 mm, depth 700 mm  PNC 206320
- Chimney grid net, 400mm  PNC 206400
- Basket for 7lt top and free standing fryers  PNC 921608
- Filter for fryer oil collection basin for 7lt, 14lt, 15lt free standing fryers  PNC 921693
- 2 baskets for 2x5lt and 7lt electric fryers  PNC 960638

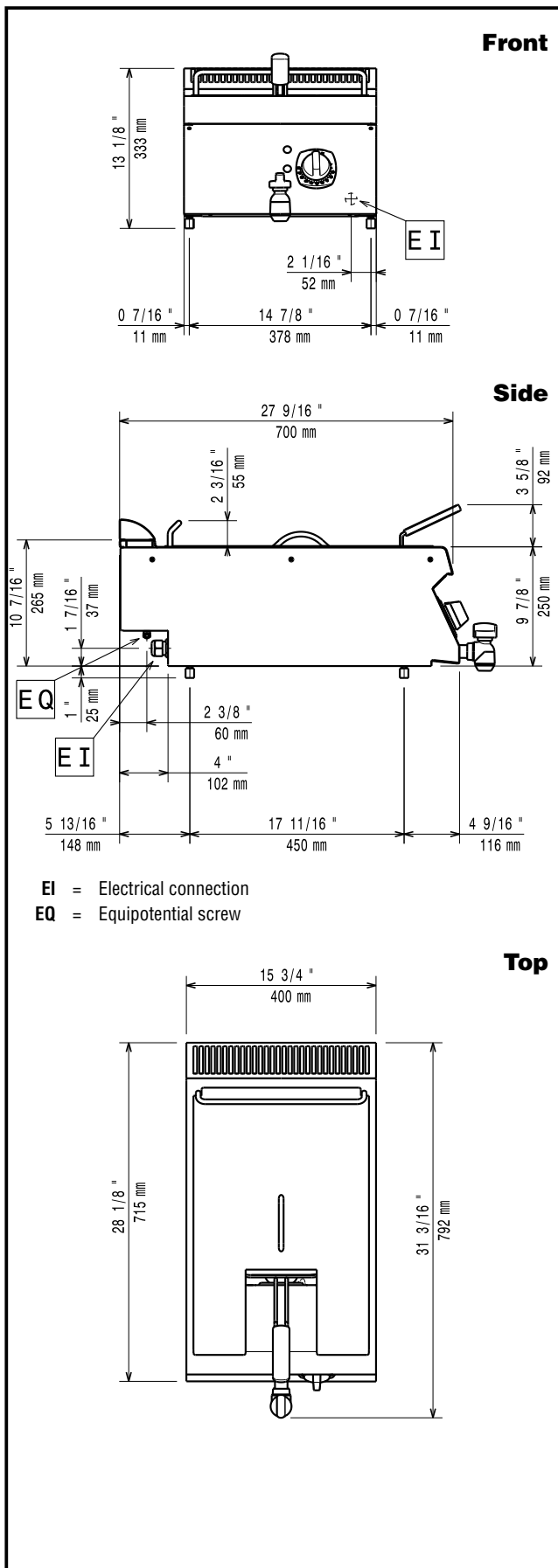


Modular Cooking Range Line  
ECO 70 One Well Electric Fryer Top 7 liter

The company reserves the right to make modifications to the products without prior notice. All information correct at time of printing.

2018.06.14

# Modular Cooking Range Line ECO 70 One Well Electric Fryer Top 7 liter



## Electric

### Supply voltage:

373075 (A7FRED1B00)

380-400 V/3N ph/50/60 Hz

### Total Watts:

5.4 kW

## Key Information

Usable well dimensions (width): 240 mm

Usable well dimensions (height): 235 mm

Usable well dimensions (depth): 380 mm

Well capacity: 5.5 lt MIN; 7 lt MAX

Thermostat Range: 105 °C MIN; 185 °C MAX

Shipping weight: 35 kg

Shipping height: 540 mm

Shipping width: 460 mm

Shipping depth: 820 mm

Shipping volume: 0.2 m<sup>3</sup>

If appliance is set up or next to or against temperature sensitive furniture or similar, a safety gap of approximately 150 mm should be maintained or some form of heat insulation fitted.