

**Modular Cooking Range Line
ECO 70 1/2 Module Ambient
Worktop with drawer**

ITEM # _____

MODEL # _____

NAME # _____

SIS # _____

AIA # _____



373117 (A7WTNDN00E) Ambient worktop with drawer, 1/2 module

Short Form Specification

Item No. _____

To be installed on ECO 70 refrigerated/freezer bases, open base cupboards, bridging supports or cantilever systems. Exterior panels and work top in stainless steel with Scotch Brite finish. One piece pressed work top in 1.5 mm thick stainless steel. Right-angled side edges to allow flush-fitting junction between units.

Main Features

- Heavy duty internal frame in Stainless steel.
- Unit to be installed on other 700 line bases.
- Right angled side edges eliminate gaps and possible dirt traps between units.

Construction

- One piece pressed 1.5 mm work top in Stainless steel.
- Stainless steel top provides a heavy duty work surface under any load.

APPROVAL: _____

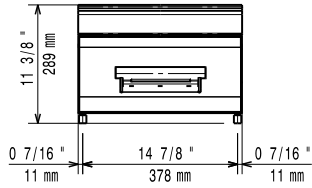
Optional Accessories

- Junction sealing kit PNC 206086
- Support for bridge type installation, 800mm PNC 206137
- Support for bridge type installation, 1000mm PNC 206138
- Support for bridge type installation, 1200mm PNC 206139
- Support for bridge type installation, 1400mm PNC 206140
- Support for bridge type installation, 1600mm PNC 206141
- Support for bridge type installation, 400mm PNC 206154
- STAND/SUPPORT 400 MM PNC 206183
- Large handrail (portioning shelf) 800 mm PNC 206186
- Right and left side handrails PNC 206240
- Water column with swivel arm (water column extension not included) PNC 206289
- Water column extension PNC 206291
- Chimney upstand, 400mm PNC 206303
- 2 side covering panels, height 250 mm, depth 700 mm PNC 206320

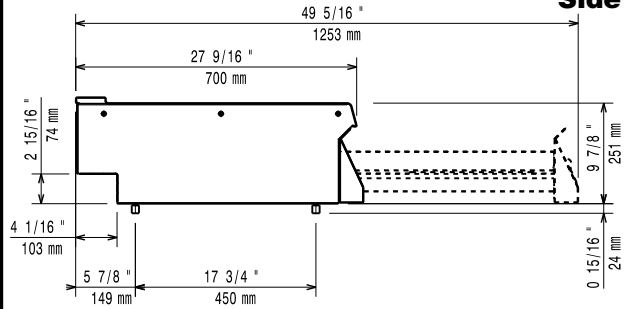


Modular Cooking Range Line ECO 70 1/2 Module Ambient Worktop with drawer

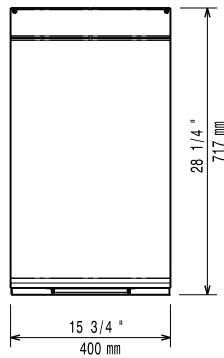
Front



Side



Top



Key Information

External dimensions, Width 373117 (A7WTNDN00E)	400 mm
External dimensions, Height	250 mm
External dimensions, Depth	700 mm