

Modular Cooking Range Line ECO 70 Half Module Gas Lava Stone Grill Top

ITEM # _____

MODEL # _____

NAME # _____

SIS # _____

AIA # _____



373044 (A7GRGDL00)

Half module gas lava stone
chargrill top

Short Form Specification

Item No. _____

To be installed on open base installations, bridging supports or cantilever systems. Suitable for natural gas or LPG. 7 kW stainless steel gas burners with flame failure device. Gas burners protected by stainless steel deflection trays preventing blockage from foreign objects. Cooking surface grids in cast iron, easily removable for cleaning. Exterior panels in stainless steel with Scotch Brite finish. One piece pressed work top in 1.5 mm thick stainless steel. Right-angled side edges to allow flush-fitting junction between units.

APPROVAL: _____

Main Features

- Unit to be mounted on open base cupboards, bridging supports or cantilever systems.
- Heating via Stainless steel gas burners with flame failure device.
- Burners protected by stainless steel deflection trays to prevent blockage.
- Piezo ignition.
- Cast iron grids can be adjusted on two levels.
- Stainless steel high splash guards on the rear and sides of cooking surface. Splash guards can be easily removed for cleaning and are dishwasher-safe.
- IPX4 water resistance certification.
- Scraper for cleaning of grilling grids included.
- Top configuration allows installation on ambient base only (not possible to install on refrigerated nor freezer base).

Construction

- All exterior panels in Stainless Steel with Scotch Brite finishing.
- One piece pressed 1.5 mm work top in Stainless steel.
- Model has right-angled side edges to allow flush fitting joints between units, eliminating gaps and possible dirt traps.

Included Accessories

- 1 of Scraper for free standing grills PNC 206422

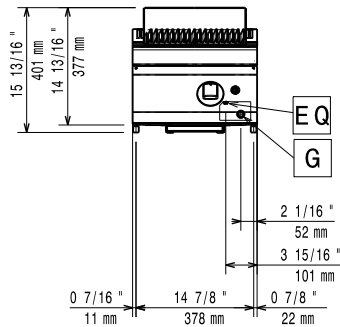
Optional Accessories

- Junction sealing kit PNC 206086
- Draught diverter, 120 mm diameter PNC 206126
- Matching ring for flue condenser, 120 mm diameter PNC 206127
- Support for bridge type installation, 800mm PNC 206137
- Support for bridge type installation, 1000mm PNC 206138
- Support for bridge type installation, 1200mm PNC 206139
- Support for bridge type installation, 1400mm PNC 206140
- Support for bridge type installation, 1600mm PNC 206141
- Support for bridge type installation, 400mm PNC 206154
- Frontal handrail 400 mm PNC 206166
- Frontal handrail 800 mm PNC 206167
- Large handrail (portioning shelf) 400 mm PNC 206185
- Large handrail (portioning shelf) 800 mm PNC 206186
- Frontal handrail 1200 mm PNC 206191
- Frontal handrail 1600 mm PNC 206192
- Right and left side handrails PNC 206240
- Chimney upstand, 400mm PNC 206303
- Flue condenser for 1/2 module, 120 mm diameter PNC 206310
- 2 side covering panels, height 250 mm, depth 700 mm PNC 206320
- Chimney grid net, 400mm PNC 206400
- GRIDS WITH DRAIN SHAPE 400MM-700RANGE PNC 206415
- KIT HEIGHT ADJUST.SUPP.GRILL GRIDS PNC 206418
- Scraper for grids with drainage channels - top grills PNC 206421
- Pressure regulator for gas units PNC 927225

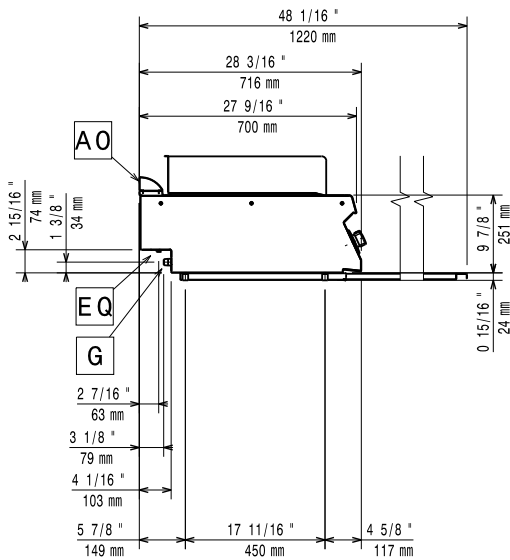


Modular Cooking Range Line ECO 70 Half Module Gas Lava Stone Grill Top

Front

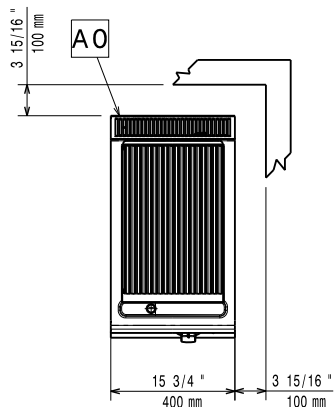


Side



- EQ = Equipotential screw
- F = Fumes outlet
- G = Gas connection

Top



Gas

Gas Power:

373044 (A7GRGDL00)

23863 Btu/hr (7 kW)

Standard gas delivery:

Natural Gas G20 (20mbar)

Gas Type Option:

LPG; Natural Gas; Town

Gas Inlet:

1/2"

Key Information

Cooking surface width:

321 mm

Cooking surface depth:

478 mm

Shipping weight:

39 kg

Shipping height:

540 mm

Shipping width:

460 mm

Shipping depth:

820 mm

Shipping volume:

0.2 m³

If appliance is set up or next to or against temperature sensitive furniture or similar, a safety gap of approximately 150 mm should be maintained or some form of heat insulation fitted.