

**Modular Cooking Range Line
ECO 70 Two Wells Freestanding
Electric Fryer 14 liter**

ITEM # _____

MODEL # _____

NAME # _____

SIS # _____

AIA # _____



373085 (A7FREH2FF0)

14+14-lt electric fryer free standing with 2 wells and 2 baskets, internal heating elements

Short Form Specification

Item No. _____

To be installed on height adjustable feet in stainless steel. High efficiency tilting incoloy armoured heating elements (17.4kW) placed inside the wells. Deep drawn wells. Oil drains through a tap into a container under the well. Exterior panels in stainless steel with Scotch Brite finish. One piece pressed work top in 1.5 mm thick stainless steel. Right-angled side edges to allow flush-fitting junction between units.

Main Features

- Unit to be mounted on height adjustable feet in stainless steel.
- Thermostatic regulation of oil temperature up to a maximum of 185 °C.
- Overheat protection thermostat as standard on all units.
- Oil drains through a tap into a drainage container positioned under the well.
- All major compartments located in front of unit for ease of maintenance.
- IPX 4 water protection.

Construction

- Interior of well with rounded corners for ease of cleaning.
- All exterior panels in Stainless Steel with Scotch Brite finishing.
- One piece pressed 1.5 mm work top in Stainless steel.
- Model has right-angled side edges to allow flush fitting joints between units, eliminating gaps and possible dirt traps.

Included Accessories

- 2 of Door for open base cupboard PNC 206343
- 2 of Full size basket for 14 and 15lt free standing fryers PNC 921691

Optional Accessories

- Junction sealing kit PNC 206086
- 4 wheels, 2 swivelling with brake. It is mandatory to install with base supports for feet/wheels. PNC 206135
- Flanged feet kit PNC 206136
- Frontal kicking strip for concrete installation, 800mm PNC 206148
- Frontal kicking strip for concrete installation, 1000mm PNC 206150
- Frontal kicking strip for concrete installation, 1200mm PNC 206151
- Frontal kicking strip for concrete installation, 1600mm PNC 206152
- Frontal handrail 800 mm PNC 206167
- Frontal kicking strip, 800mm (not for refr-freezer base) PNC 206176
- Frontal kicking strip, 1000mm (not for refr-freezer base) PNC 206177
- Frontal kicking strip, 1200mm (not for refr-freezer base) PNC 206178
- Frontal kicking strip, 1600mm (not for refr-freezer base) PNC 206179
- Large handrail (portioning shelf) 800 mm PNC 206186

APPROVAL: _____



Modular Cooking Range Line ECO 70 Two Wells Freestanding Electric Fryer 14 liter

- Frontal handrail 1200 mm PNC 206191
- Frontal handrail 1600 mm PNC 206192
- Kit 4 feet for concrete installation (not for 900 line free standing grill) PNC 206210
- Right and left side handrails PNC 206240
- Pair of side kicking strips PNC 206249
- Pair of side kicking strips (concrete installation) PNC 206265
- Chimney upstand, 800mm PNC 206304
- 2 side covering panels, height 700 mm, depth 700 mm PNC 206319
- Door for open base cupboard PNC 206343
- Base support for feet or wheels - 800mm (700/900 lines) PNC 206367
- Base support for feet or wheels - 1200mm (700/900 lines) PNC 206368
- Base support for feet or wheels - 1600mm (700/900 lines) PNC 206369
- REAR PANELING 800MM PNC 206374
- REAR PANELING 1000MM PNC 206375
- Rear paneling - 1200mm (700/900 lines) PNC 206376
- Chimney grid net, 400mm PNC 206400
- Full size basket for 14 and 15lt free standing fryers PNC 921691
- 2 half size baskets for 12, 14 and 15lt fryers PNC 921692
- Filter for fryer oil collection basin for 7lt, 14lt, 15lt free standing fryers PNC 921693



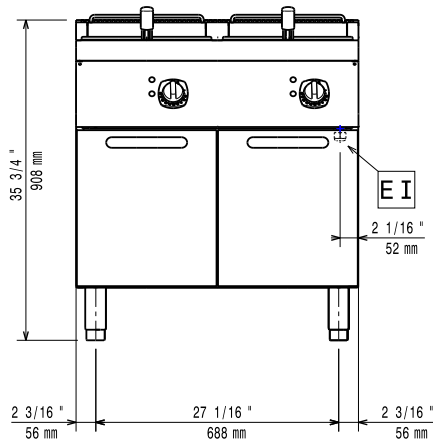
Modular Cooking Range Line
ECO 70 Two Wells Freestanding Electric Fryer 14 liter

The company reserves the right to make modifications to the products without prior notice. All information correct at time of printing.

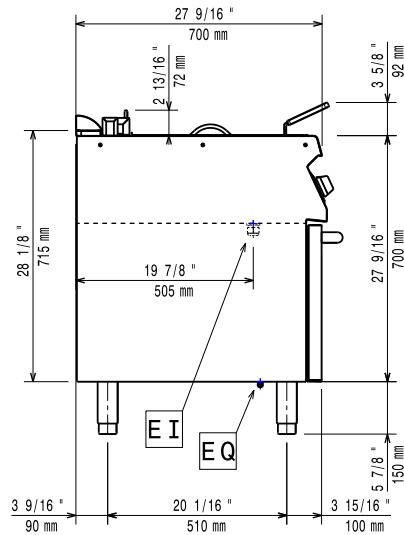
2018.06.14

Modular Cooking Range Line ECO 70 Two Wells Freestanding Electric Fryer 14 liter

Front

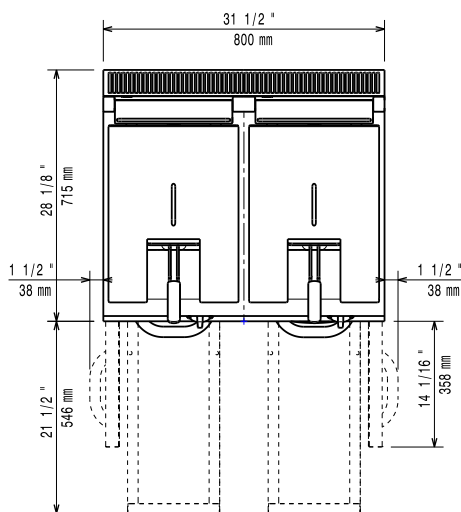


Side



EI = Electrical connection
EQ = Equipotential screw

Top



Electric

Supply voltage:

373085 (A7FREH2FF0)

380-400 V/3N ph/50/60 Hz

Total Watts:

17.4 kW

Key Information

Usable well dimensions (width): 240 mm

Usable well dimensions (height): 285 mm

Usable well dimensions (depth): 380 mm

Well capacity: 12 lt MIN; 14 lt MAX

Thermostat Range: 105 °C MIN; 185 °C MAX

Shipping weight: 85 kg

Shipping height: 1140 mm

Shipping width: 820 mm

Shipping depth: 860 mm

Shipping volume: 0.8 m³

If appliance is set up or next to or against temperature sensitive furniture or similar, a safety gap of approximately 150 mm should be maintained or some form of heat insulation fitted.