

Modular Cooking Range Line ECO 70 2-Hot Plates Electric Boiling Top Range

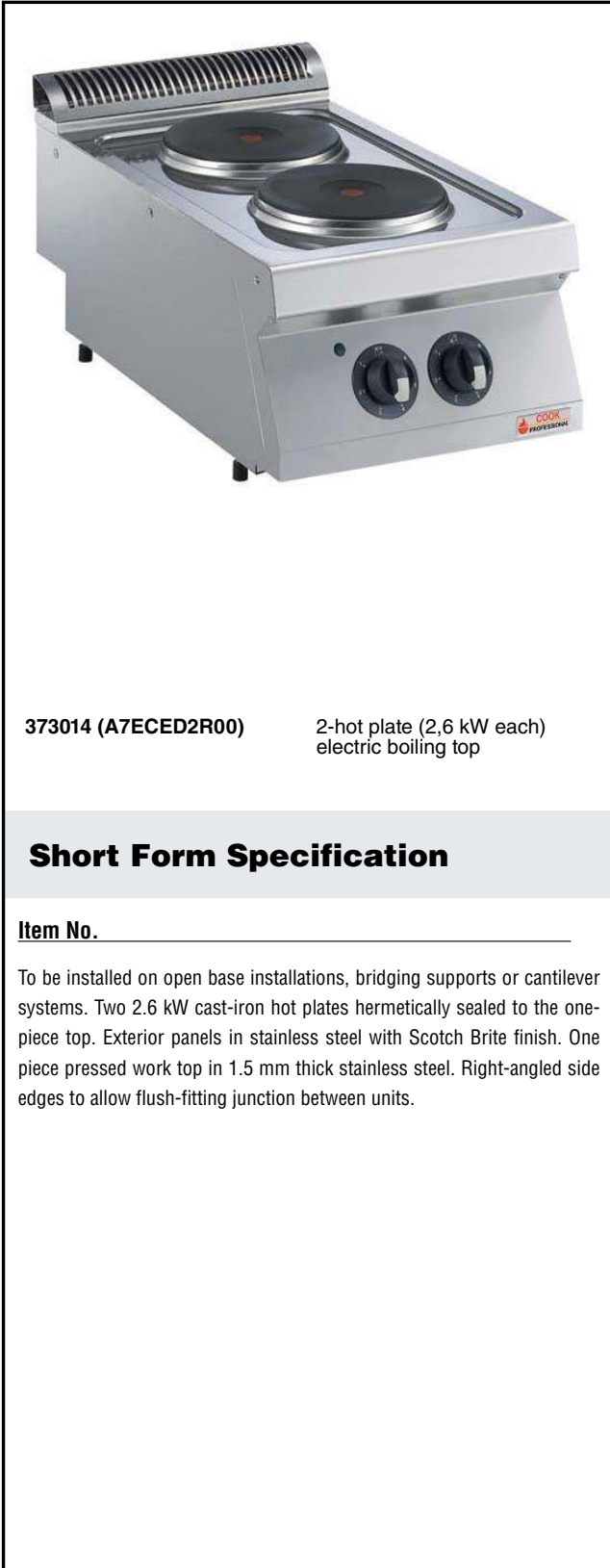
ITEM # _____

MODEL # _____

NAME # _____

SIS # _____

AIA # _____



373014 (A7ECED2R00)

2-hot plate (2,6 kW each)
electric boiling top

Short Form Specification

Item No. _____

To be installed on open base installations, bridging supports or cantilever systems. Two 2.6 kW cast-iron hot plates hermetically sealed to the one-piece top. Exterior panels in stainless steel with Scotch Brite finish. One piece pressed work top in 1.5 mm thick stainless steel. Right-angled side edges to allow flush-fitting junction between units.

APPROVAL: _____

Main Features

- Unit to be mounted on open base cupboards, bridging supports or cantilever systems.
- The two 2.6kW cast-iron plates are hermetically sealed to the one-piece top.
- The special design of the control knob system guarantees against water infiltration.
- IPX 4 water protection.

Construction

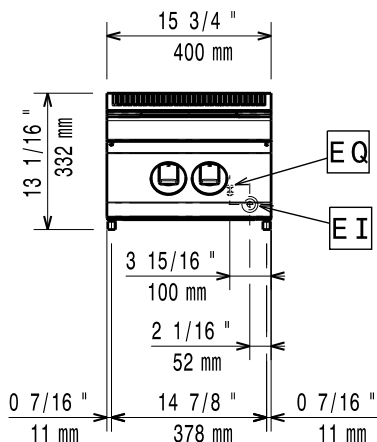
- One piece pressed 1.5 mm work top in Stainless steel.
- Model has right-angled side edges to allow flush fitting joints between units, eliminating gaps and possible dirt traps.
- External panel in Stainless Steel with Scotch Brite finish.

Optional Accessories

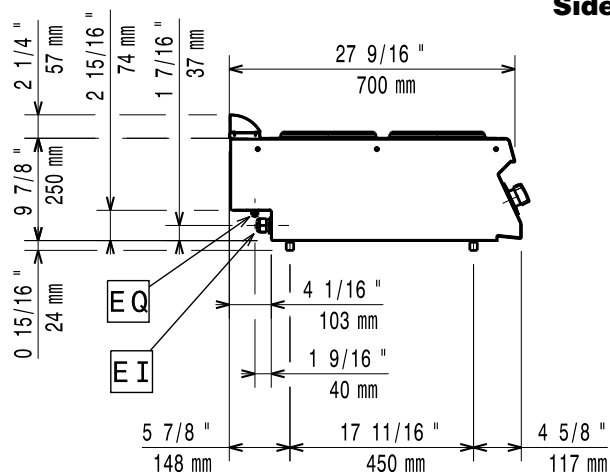
- Junction sealing kit PNC 206086
- Support for bridge type installation, 800mm PNC 206137
- Support for bridge type installation, 1000mm PNC 206138
- Support for bridge type installation, 1200mm PNC 206139
- Support for bridge type installation, 1400mm PNC 206140
- Support for bridge type installation, 1600mm PNC 206141
- Support for bridge type installation, 400mm PNC 206154
- Frontal handrail 400 mm PNC 206166
- Frontal handrail 800 mm PNC 206167
- Large handrail (portioning shelf) 400 mm PNC 206185
- Large handrail (portioning shelf) 800 mm PNC 206186
- Frontal handrail 1200 mm PNC 206191
- Frontal handrail 1600 mm PNC 206192
- Right and left side handrails PNC 206240
- Water column with swivel arm (water column extension not included) PNC 206289
- Water column extension PNC 206291
- Chimney upstand, 400mm PNC 206303
- 2 side covering panels, height 250 mm, depth 700 mm PNC 206320
- Chimney grid net, 400mm PNC 206400

Modular Cooking Range Line ECO 70 2-Hot Plates Electric Boiling Top Range

Front

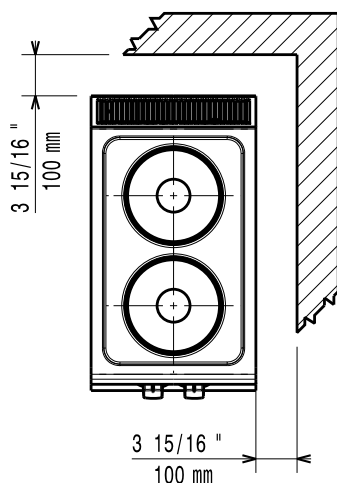


Side



EI = Electrical connection
EQ = Equipotential screw

Top



Electric

Supply voltage:

373014 (A7ECED2R00) 380-400 V/3 ph/50/60 Hz

Total Watts:

5.2 kW

Key Information

Front Plates Power: 2.6 - 0 kW

Back Plates Power: 2.6 - kW

Front Plates dimensions: Ø 230

Back Plates dimensions: Ø 230

Shipping weight: 25 kg

Shipping height: 540 mm

Shipping width: 460 mm

Shipping depth: 820 mm

Shipping volume: 0.2 m³

If appliance is set up or next to or against temperature sensitive furniture or similar, a safety gap of approximately 150 mm should be maintained or some form of heat insulation fitted.