

**Modular Cooking Range Line
ECO 70 22 It. Electric
Multifunctional Cooker with
compound bottom**

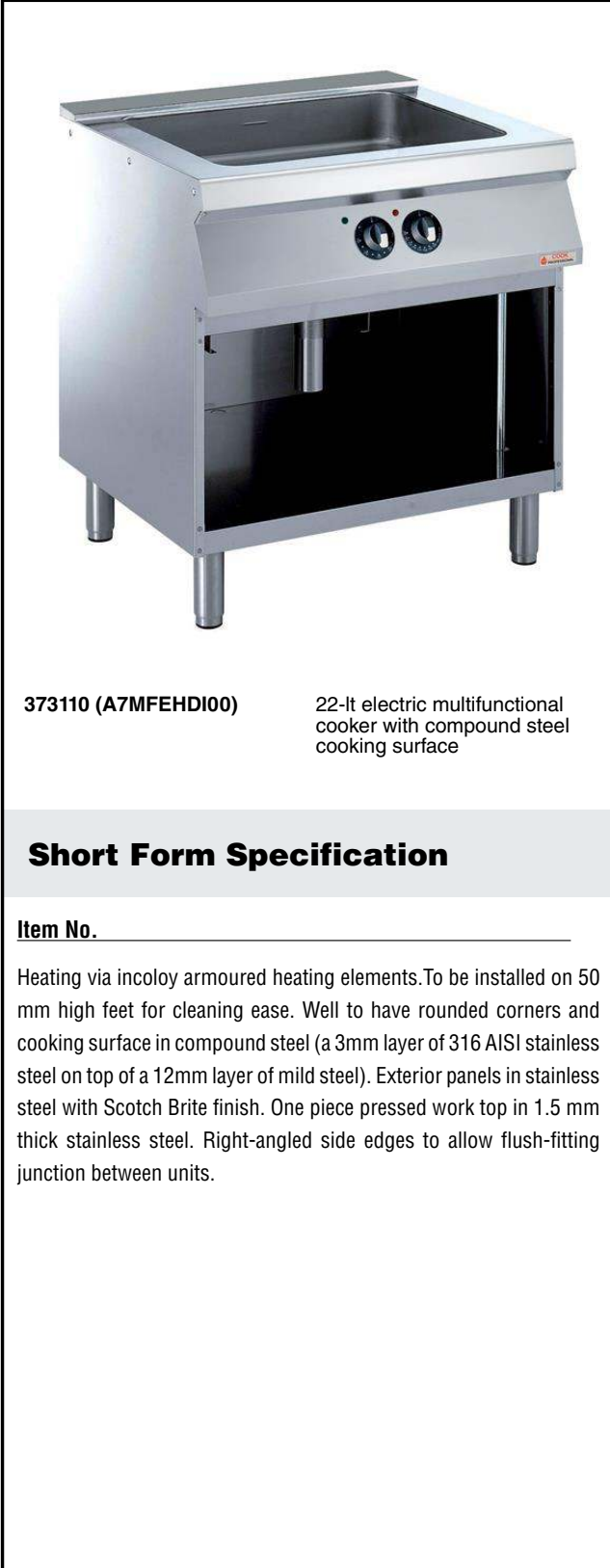
ITEM # _____

MODEL # _____

NAME # _____

SIS # _____

AIA # _____



373110 (A7MFEHDI00)

22-lt electric multifunctional cooker with compound steel cooking surface

Short Form Specification

Item No. _____

Heating via incoloy armoured heating elements. To be installed on 50 mm high feet for cleaning ease. Well to have rounded corners and cooking surface in compound steel (a 3mm layer of 316 AISI stainless steel on top of a 12mm layer of mild steel). Exterior panels in stainless steel with Scotch Brite finish. One piece pressed work top in 1.5 mm thick stainless steel. Right-angled side edges to allow flush-fitting junction between units.

Main Features

- Multi purpose cooking appliance that can be used to shallow fry, cook liquids or even as a bain marie. Unit can be used for sautéing, poaching, steaming, simmering, stewing, braising, boiling and preparing white sauces.
- Well cooking surface made in compound steel (a 3mm layer of 316 AISI stainless steel on top of a 12mm layer of mild steel) for optimum grilling results.
- The stainless steel well to have rounded corners to facilitate cleaning.
- Bottom temperature control is precisely set by a thermostat on the control panel.
- Temperature can be set from 100 °C to 250 °C.
- Uniform temperature distribution over the whole base.
- Short heat-up time of the empty pan.
- Unit to be heated via incoloy armoured heating elements.
- Unit delivered with four 50 mm legs in stainless steel as standard (all round Stainless steel kick plates as option).

Construction

- All exterior panels in Stainless Steel with Scotch Brite finishing.
- One piece pressed 1.5 mm work top in Stainless steel.
- Model has right-angled side edges to allow flush fitting joints between units, eliminating gaps and possible dirt traps.

**Modular Cooking Range Line
ECO 70 22 It. Electric Multifunctional Cooker with compound
bottom**

APPROVAL: _____



Modular Cooking Range Line ECO 70 22 lt. Electric Multifunctional Cooker with compound bottom

Included Accessories

- 1 of Scraper for smooth plate fry tops PNC 164255
- 1 of Blades with rounded sides for scraper for multifunctional cookers PNC 921694

Optional Accessories

- Junction sealing kit PNC 206086
- 4 wheels, 2 swivelling with brake. It is mandatory to install with base supports for feet/wheels. PNC 206135
- Flanged feet kit PNC 206136
- Frontal kicking strip for concrete installation, 800mm PNC 206148
- Frontal kicking strip for concrete installation, 1000mm PNC 206150
- Frontal kicking strip for concrete installation, 1200mm PNC 206151
- Frontal kicking strip for concrete installation, 1600mm PNC 206152
- Frontal handrail 800 mm PNC 206167
- Frontal kicking strip, 800mm (not for refr-freezer base) PNC 206176
- Frontal kicking strip, 1000mm (not for refr-freezer base) PNC 206177
- Frontal kicking strip, 1200mm (not for refr-freezer base) PNC 206178
- Frontal kicking strip, 1600mm (not for refr-freezer base) PNC 206179
- Large handrail (portioning shelf) 800 mm PNC 206186
- Frontal handrail 1200 mm PNC 206191
- Frontal handrail 1600 mm PNC 206192
- Kit 4 feet for concrete installation (not for 900 line free standing grill) PNC 206210
- Right and left side handrails PNC 206240
- 2 supports with side runners for 4 GN 1/1 containers for open base cupboards (multifunctional cookers, solid top and gas ranges with cupboard) PNC 206244
- Central support for installation of drawers and grid (on 800/1200mm bases) and of doors (on 1200mm bases) PNC 206245
- Pair of side kicking strips PNC 206249
- Pair of side kicking strips (concrete installation) PNC 206265
- Chimney upstand, 800mm PNC 206304
- 2 side covering panels, height 700 mm, depth 700 mm PNC 206319
- 2 drawers (h=100mm) PNC 206328
- Door for open base cupboard PNC 206343
- Base support for feet or wheels - 800mm (700/900 lines) PNC 206367
- Base support for feet or wheels - 1200mm (700/900 lines) PNC 206368
- Base support for feet or wheels - 1600mm (700/900 lines) PNC 206369
- REAR PANELING 800MM PNC 206374
- REAR PANELING 1000MM PNC 206375
- Rear paneling - 1200mm (700/900 lines) PNC 206376
- Lid for 22lt multifunctional cooker PNC 921690

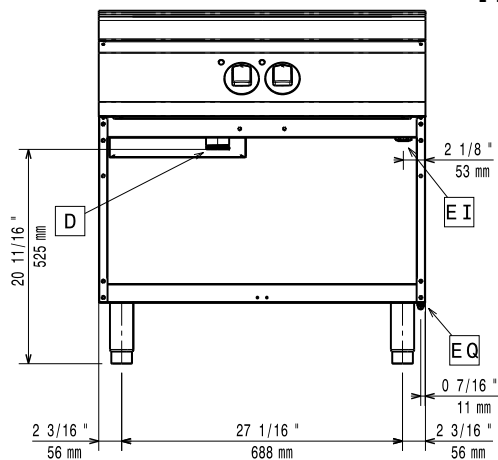
Modular Cooking Range Line
ECO 70 22 lt. Electric Multifunctional Cooker with compound bottom

The company reserves the right to make modifications to the products without prior notice. All information correct at time of printing.

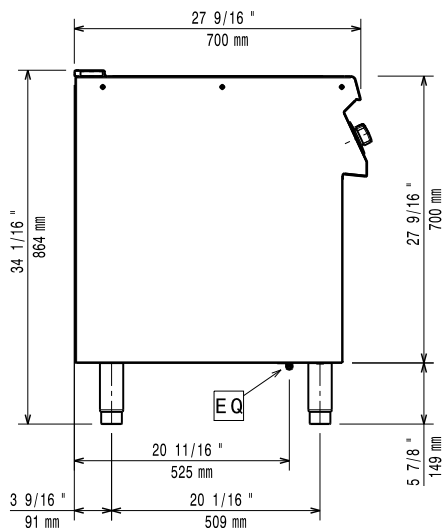


Modular Cooking Range Line ECO 70 22 lt. Electric Multifunctional Cooker with compound bottom

Front

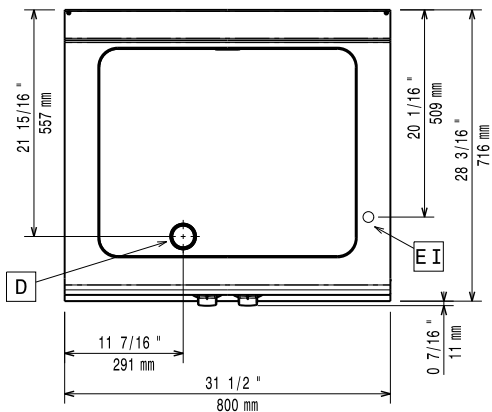


Side



- EI = Electrical connection
- EQ = Equipotential screw
- F = Fumes outlet
- V = Air vents

Top



Electric

Supply voltage:

373110 (A7MFEHDI00)

380-400 V/3N ph/50/60 Hz

Total Watts:

10 kW

Key Information

Cooking surface width: 630 mm

Cooking surface depth: 510 mm

Working Temperature MIN: 100 °C

Working Temperature MAX: 250 °C

Shipping weight: 90 kg

Shipping height: 1140 mm

Shipping width: 900 mm

Shipping depth: 820 mm

Shipping volume: 0.84 m³

If appliance is set up or next to or against temperature sensitive furniture or similar, a safety gap of approximately 150 mm should be maintained or some form of heat insulation fitted.