

Modular Cooking Range Line ECO 70 Closed Base Cupboard 1/4 Module

ITEM # _____

MODEL # _____

NAME # _____

SIS # _____

AIA # _____



371210 (E7BANB00C0)

700XP Closed Base
Cupboard - 200 mm 1/4
module for top line

Short Form Specification

Item No. _____

Closed base to be installed below ECO 70 top units in island type installations with operations from one side. Constructed in stainless steel with Scotch Brite finish. Delivered with 50 mm height adjustable feet.

Main Features

- Unit can be easily installed below other 700 line top models.
- Unit delivered with 50 mm height adjustable feet in Stainless steel.
- Doors with handles, drawers, heating kits and runners for GN containers can be ordered separately.
- Base compartment for storage of pots, pans, sheet pans, etc.

Construction

- Constructed in Stainless steel with Scotch Brite finish to meet the highest hygiene standards.

Optional Accessories

- 4 wheels, 2 swivelling with brake. It is mandatory to install with base supports for feet/wheels. PNC 206135
- Flanged feet kit PNC 206136
- Frontal kicking strip for concrete installation, 200mm PNC 206146
- Frontal kicking strip for concrete installation, 400mm PNC 206147
- Frontal kicking strip for concrete installation, 800mm PNC 206148
- Frontal kicking strip for concrete installation, 1000mm PNC 206150
- Frontal kicking strip for concrete installation, 1200mm PNC 206151
- Frontal kicking strip for concrete installation, 1600mm PNC 206152
- Frontal kicking strip, 200mm (not for refr-freezer base) PNC 206174
- Frontal kicking strip, 400mm (not for refr-freezer base) PNC 206175
- Frontal kicking strip, 800mm (not for refr-freezer base) PNC 206176
- Frontal kicking strip, 1000mm (not for refr-freezer base) PNC 206177
- Frontal kicking strip, 1200mm (not for refr-freezer base) PNC 206178
- Frontal kicking strip, 1600mm (not for refr-freezer base) PNC 206179
- Kit 4 feet for concrete installation (not for 900 line free standing grill) PNC 206210
- 2 panels for service duct for single "top on base" installation PNC 206248
- Pair of side kicking strips PNC 206249
- Pair of side kicking strips (concrete installation) PNC 206265
- 2 side covering panels, height 700 mm, depth 700 mm PNC 206319
- Base support for feet or wheels - 800mm (700/900 lines) PNC 206367

APPROVAL: _____



Modular Cooking Range Line ECO 70 Closed Base Cupboard 1/4 Module

- Base support for feet or wheels - 1200mm (700/900 lines) PNC 206368
- Base support for feet or wheels - 1600mm (700/900 lines) PNC 206369
- Rear paneling - 600mm (700/900) PNC 206373
- REAR PANELING 800MM PNC 206374
- REAR PANELING 1000MM PNC 206375
- Rear paneling - 1200mm (700/900 lines) PNC 206376
- BASE SUPPORT FOR FEET/WHEELS 600M PNC 206431



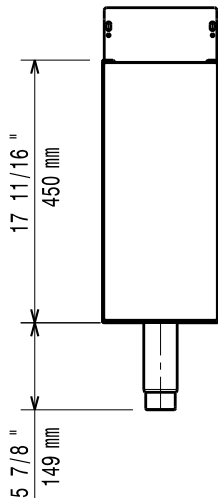
Modular Cooking Range Line
ECO 70 Closed Base Cupboard 1/4 Module

The company reserves the right to make modifications to the products without prior notice. All information correct at time of printing.

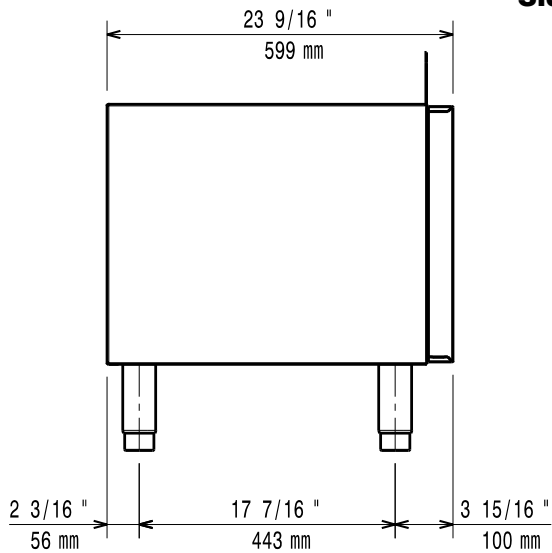
2018.06.14

Modular Cooking Range Line ECO 70 Closed Base Cupboard 1/4 Module

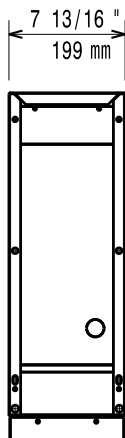
Front



Side



Top



Key Information

External dimensions, Width 371210 (E7BANB00C0)	200 mm
External dimensions, Height	600 mm
External dimensions, Depth	550 mm
Net weight:	15 lbs (7 kg)