

**Modular Cooking Range Line  
ECO 70 Electric Tilting Bratt  
Pan 60lt with mild steel bottom**

ITEM # \_\_\_\_\_

MODEL # \_\_\_\_\_

NAME # \_\_\_\_\_

SIS # \_\_\_\_\_

AIA # \_\_\_\_\_



373182 (A7BREHMNFX)

60-lt electric tilting braising pan with mild steel cooking surface

**Short Form Specification**

Item No. \_\_\_\_\_

Infrared heating elements positioned under the cooking surface. Polished mild steel plated cooking surface for roasting, browning, stewing, preparation of sauces, sautéing, boiling and braising. Can be installed on cantilever systems. Mechanism to manually tilt the pan. Double-skinned lid in stainless steel. Cooking temperature can be set through thermostat. Exterior panels in stainless steel with Scotch Brite finish. Height adjustable feet in stainless steel. Right-angled side edges to allow flush-fitting junction between units.

**Main Features**

- Infrared heating elements mounted below the cooking surface.
- IPX4 water resistance certification.
- Actual cooking temperature setting through adjustable thermostat.
- Working temperature can be set from 120 °C to 280 °C.
- Heat-insulated: limited heat radiation and low energy consumption.
- Manual tilting mechanism to facilitate pan emptying.
- Smooth large surfaces, easy access for cleaning.
- Unit to have stainless steel feet with height adjustment up to 50 mm.

**Construction**

- Cooking surface in mild steel for sautéing, poaching, steaming, boiling, stewing and regular frying.
- Lid in stainless steel to reduce heat dispersion.
- All pan internal surfaces round and polished for better hygiene.
- All exterior panels in Stainless Steel with Scotch Brite finishing.
- One piece pressed 1.5 mm work top in Stainless steel.
- Model has right-angled side edges to allow flush fitting joints between units, eliminating gaps and possible dirt traps.
- Usable capacity of the well 50 liters.

**Optional Accessories**

- Flanged feet kit  PNC 206136
- Frontal kicking strip for concrete installation, 800mm  PNC 206148
- Frontal kicking strip for concrete installation, 1000mm  PNC 206150
- Frontal kicking strip for concrete installation, 1200mm  PNC 206151
- Frontal kicking strip for concrete installation, 1600mm  PNC 206152
- Frontal kicking strip, 800mm (not for refr-freezer base)  PNC 206176
- Frontal kicking strip, 1000mm (not for refr-freezer base)  PNC 206177
- Frontal kicking strip, 1200mm (not for refr-freezer base)  PNC 206178
- Frontal kicking strip, 1600mm (not for refr-freezer base)  PNC 206179
- Kit 4 feet for concrete installation (not for 900 line free standing grill)  PNC 206210
- Right and left side handrails  PNC 206240
- Pair of side kicking strips  PNC 206249

APPROVAL: \_\_\_\_\_



## Modular Cooking Range Line ECO 70 Electric Tilting Bratt Pan 60lt with mild steel bottom

- Pair of side kicking strips (concrete installation) PNC 206265
- Trolley with lifting & removable tank PNC 922403



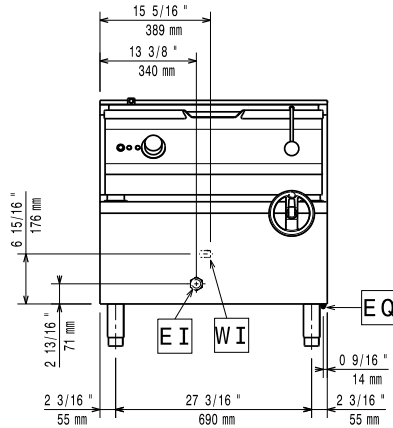
**Modular Cooking Range Line  
ECO 70 Electric Tilting Bratt Pan 60lt with mild steel bottom**

The company reserves the right to make modifications to the products without prior notice. All information correct at time of printing.

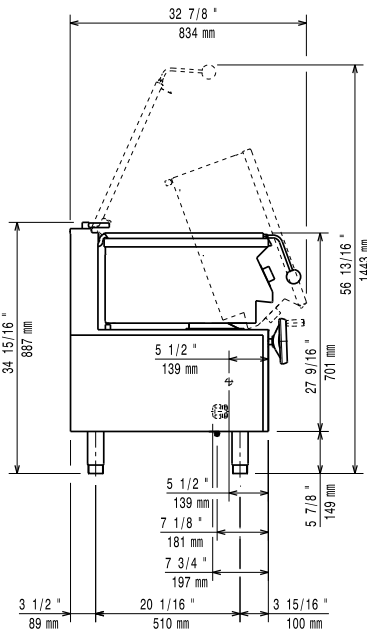
2018.06.14

# Modular Cooking Range Line ECO 70 Electric Tilting Bratt Pan 60lt with mild steel bottom

**Front**

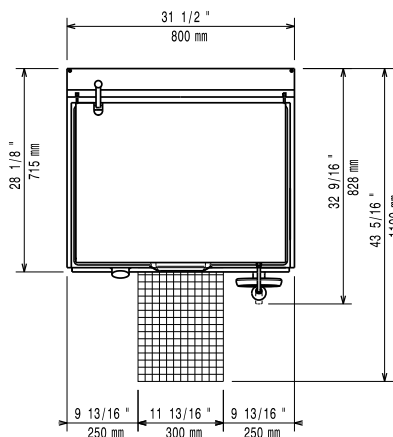


**Side**



CW11 = Cold Water inlet  
EI = Electrical connection

**Top**



## Electric

Supply voltage:

373182 (A7BREHMNFX)

380-400 V/3N ph/50/60 Hz

Total Watts:

9.5 kW

## Key Information

Cooking Surface Depth: 410 mm

Cooking Surface Width: 680 mm

Cooking Surface Thickness: 10 mm

Cooking Well Height: 200 mm

Well Capacity, Max: 60 lt

Working Temperature MIN: 120 °C

Working Temperature MAX: 280 °C

Shipping weight: 120 kg

Shipping height: 1140 mm

Shipping width: 820 mm

Shipping depth: 860 mm

Shipping volume: 0.84 m<sup>3</sup>

No clearance needed on rear sides of unit if wall is of non combustible type. If wall is combustible, minimum 50 mm wall clearance should be maintained.