

Modular Cooking Range Line ECO 70 Electric Hob Cooking Top 400 mm

ITEM # _____

MODEL # _____

NAME # _____

SIS # _____

AIA # _____



373027 (A7HOED2000)

Half module electric hob
cooking top

Short Form Specification

Item No. _____

High efficiency 5.3 kW infrared heating elements. Large flat cooking surface in mild steel allows for the use of a number of various sized pots and pans, all easily moved across the surface without lifting. Exterior panels in stainless steel with Scotch Brite finish. One piece pressed work top in 1.5 mm thick stainless steel. Right-angled side edges to allow flush-fitting junction between units.

Main Features

- 5.3 kW infrared heating elements can reach a maximum temperature of 400°C.
- Durable mild steel cooking plate, easy to clean.
- Various sizes of pans can be used at the same time due to large surface area with no intermediate sectors.
- Pans can easily be moved from one area to another without lifting.
- All major compartments located in front of unit for ease of maintenance.
- IPX4 water resistance certification.
- Top configuration allows installation on ambient base only (not possible to install on refrigerated nor freezer base).

Construction

- All exterior panels in Stainless Steel with Scotch Brite finishing.
- One piece pressed 1.5 mm work top in Stainless steel.
- Model has right-angled side edges to allow flush fitting joints between units, eliminating gaps and possible dirt traps.

Optional Accessories

- Support for bridge type installation, 800mm PNC 206137
- Support for bridge type installation, 1000mm PNC 206138
- Support for bridge type installation, 1200mm PNC 206139
- Support for bridge type installation, 1600mm PNC 206141
- Support for bridge type installation, 400mm PNC 206154
- Frontal handrail 400 mm PNC 206166
- Frontal handrail 800 mm PNC 206167
- Large handrail (portioning shelf) 400 mm PNC 206185
- Large handrail (portioning shelf) 800 mm PNC 206186
- Frontal handrail 1200 mm PNC 206191
- Frontal handrail 1600 mm PNC 206192
- Right and left side handrails PNC 206240
- Water column with swivel arm (water column extension not included) PNC 206289
- 2 side covering panels, height 250 mm, depth 700 mm PNC 206320

APPROVAL: _____



Modular Cooking Range Line ECO 70 Electric Hob Cooking Top 400 mm

- Chimney grid net, 400mm

PNC 206400

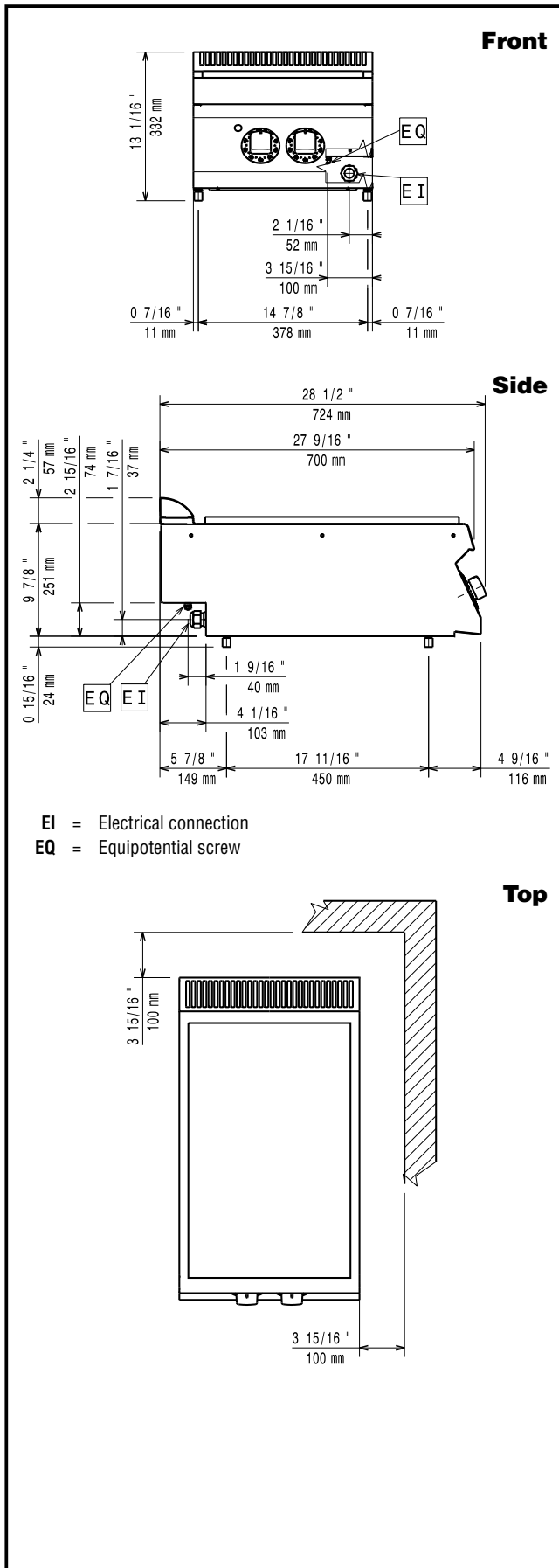


**Modular Cooking Range Line
ECO 70 Electric Hob Cooking Top 400 mm**

The company reserves the right to make modifications to the products without prior notice. All information correct at time of printing.

2018.06.14

Modular Cooking Range Line ECO 70 Electric Hob Cooking Top 400 mm



Electric

Supply voltage:

373027 (A7HOED2000)

380-400 V/3N ph/50/60 Hz

Total Watts:

5 kW

Key Information

External dimensions, Width 400 mm

External dimensions, Height 250 mm

External dimensions, Depth 700 mm

Shipping weight: 60 kg

Shipping height: 540 mm

Shipping width: 460 mm

Shipping depth: 820 mm

Shipping volume: 0.22 m³

If appliance is set up or next to or against temperature sensitive furniture or similar, a safety gap of approximately 150 mm should be maintained or some form of heat insulation fitted.