

**Modular Cooking Range Line
ECO 70 Full Module Electric
Bain Marie Top**

ITEM # _____

MODEL # _____

NAME # _____

SIS # _____

AIA # _____



373097 (A7BMEHB000) Electric bain-marie top with 1GN2/1 well

Short Form Specification

Item No. _____

To be installed on open base installations, bridging supports or cantilever systems. Maintains cooked food at serving temperature by using hot water inside the well. Water temperature controlled by thermostat with maximum temperature of 90 °C. Exterior panels in stainless steel with Scotch Brite finish. One piece pressed work top in 1.5 mm thick stainless steel. Right-angled side edges to allow flush-fitting junction between units.

APPROVAL: _____

Main Features

- Unit to be mounted on open base cupboards, bridging supports or cantilever systems.
- Bain Marie used for keeping cooked food at serving temperatures using hot water.
- Incoloy armoured heating elements positioned beneath the base of the well.
- Water basin is seamlessly welded into the top of the appliance.
- Filling water level is plate-marked on the side of the well.
- Unit to feature manual refill of well.
- Water temperature controlled by thermostat with maximum temperature value of 90 °C.
- Basin drained by tap on the front of the machine.
- All major compartments located in front of unit for ease of maintenance.

Construction

- All exterior panels in Stainless Steel with Scotch Brite finishing.
- One piece pressed 1.5 mm work top in Stainless steel.
- Model has right-angled side edges to allow flush fitting joints between units, eliminating gaps and possible dirt traps.

Optional Accessories

- Junction sealing kit PNC 206086
- Support for bridge type installation, 800mm PNC 206137
- Support for bridge type installation, 1000mm PNC 206138
- Support for bridge type installation, 1200mm PNC 206139
- Support for bridge type installation, 1400mm PNC 206140
- Support for bridge type installation, 1600mm PNC 206141
- Frontal handrail 800 mm PNC 206167
- Large handrail (portioning shelf) 800 mm PNC 206186
- Frontal handrail 1200 mm PNC 206191
- Frontal handrail 1600 mm PNC 206192
- Right and left side handrails PNC 206240
- Chimney upstand, 800mm PNC 206304
- 2 side covering panels, height 250 mm, depth 700 mm PNC 206320
- Drilled false bottom full module for bain-marie PNC 921623



Modular Cooking Range Line ECO 70 Full Module Electric Bain Marie Top

- Water filling tap for bain-marie top

PNC 921627 □



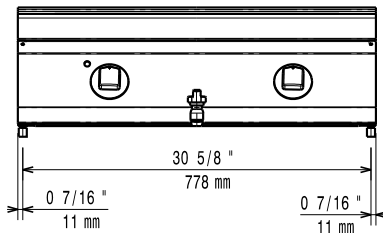
**Modular Cooking Range Line
ECO 70 Full Module Electric Bain Marie Top**

The company reserves the right to make modifications to the products without prior notice. All information correct at time of printing.

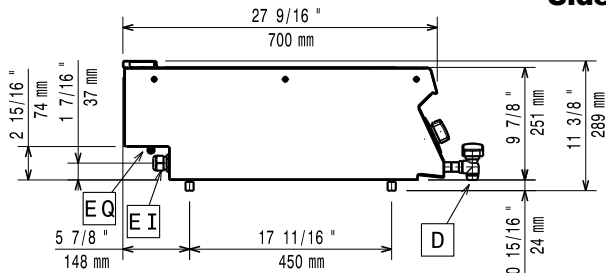
2018.06.14

Modular Cooking Range Line ECO 70 Full Module Electric Bain Marie Top

Front

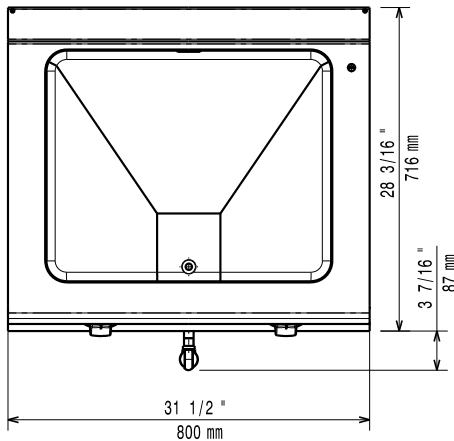


Side



- D** = Drain
- EI** = Electrical connection
- EQ** = Equipotential screw

Top



Electric

Supply voltage:

373097 (A7BMEHB000) 380-400 V/2N ph/50/60 Hz

Total Watts:

3 kW

Water

Water Drain:

50 mm

Key Information

- Usable well dimensions (width): 630 mm
- Usable well dimensions (height): 156 mm
- Usable well dimensions (depth): 510 mm
- Thermostat Range: 30 °C MIN; 90 °C MAX
- Shipping weight: 40 kg
- Shipping height: 540 mm
- Shipping width: 820 mm
- Shipping depth: 860 mm
- Shipping volume: 0.38 m³

If appliance is set up or next to or against temperature sensitive furniture or similar, a safety gap of approximately 150 mm should be maintained or some form of heat insulation fitted.