

Modular Cooking Range Line ECO 70 Gas Solid Top on Gas Oven with 2 Burners and Cupboard

ITEM # _____

MODEL # _____

NAME # _____

SIS # _____

AIA # _____



373010 (A7STGL3010)

Full module gas solid top (7 kW) with 2 burners (5,5 kW each) on gas oven and open cupboard (6 kW)

Short Form Specification

Item No. _____

High efficiency 7 kW central burner, flame failure device and protected pilot light. Suitable for natural gas or LPG. Large cooking surface with different heating zones. Large flat cooking surface made in cast iron allows for the use of a number of various sized pots and pans, all easily moved across the surface without lifting. Stainless steel oven chamber with 3 levels of runners to accommodate 2/1 GN shelves (2 steam pans). Two high efficiency 5,5 kW flow flame burners with continuous power regulation and protected pilot light interchangeable on site. Flame failure device as standard on burners to protect against accidental extinguishing. Exterior panels in stainless steel with Scotch Brite finish. One piece pressed work top in 1.5 mm thick stainless steel. Right-angled side edges to allow flush-fitting junction between units.

Main Features

- Gas heated, 7 kW central burner, solid top.
- Durable cast iron cooking plate, easy to clean.
- The center of the plate can reach a maximum temperature of 500 °C while decreasing outwards.
- Central burner with optimized combustion, flame failure device and protected pilot light.
- Temperature gradients to satisfy different cooking needs, provided over the whole plate thanks to the temperature fine-tuning by zone.
- Various sizes of pans can be used at the same time due to large surface area with no intermediate sectors.
- Pans can easily be moved from one area to another without lifting.
- Base compartment consists of a gas heated standard oven with stainless steel burners and self stabilizing flame positioned beneath the base plate. Stainless steel oven chamber to have 3 levels of runners to accommodate 2/1 GN shelves (2 steam pans) and ribbed enamelled steel base plate.
- Oven thermostat adjustable from 110 °C to 270 °C.
- Burners with optimized combustion interchangeable on site.
- Flame failure device on each burner protects against gas leakage when accidental extinguishing of the flame occurs.
- Cupboard compartment for storage of pots, pans, sheet pans etc.
- All major compartments located in front of unit for ease of maintenance.
- IPX4 water resistance certification.

Construction

- All exterior panels in Stainless Steel with Scotch Brite finishing.
- One piece pressed 1.5 mm work top in Stainless steel.
- Model has right-angled side edges to allow flush fitting joints between units, eliminating gaps and possible dirt traps.

Included Accessories

- 1 of GN2/1 chrome grid for static oven PNC 164250

Optional Accessories

- GN2/1 chrome grid for static oven PNC 164250
- Junction sealing kit PNC 206086
- Draught diverter, 150 mm diameter PNC 206132
- Matching ring for flue condenser, 150 mm diameter PNC 206133
- 4 wheels, 2 swivelling with brake. It is mandatory to install with base supports for feet/wheels. PNC 206135

APPROVAL: _____



Modular Cooking Range Line ECO 70 Gas Solid Top on Gas Oven with 2 Burners and Cupboard

- Flanged feet kit PNC 206136
- Frontal kicking strip for concrete installation, 1200mm PNC 206151
- Frontal kicking strip for concrete installation, 1600mm PNC 206152
- Frontal kicking strip, 1200mm (not for refr-freezer base) PNC 206178
- Frontal kicking strip, 1600mm (not for refr-freezer base) PNC 206179
- Frontal handrail 1200 mm PNC 206191
- Frontal handrail 1600 mm PNC 206192
- Kit 4 feet for concrete installation (not for 900 line free standing grill) PNC 206210
- Right and left side handrails PNC 206240
- 2 supports with side runners for 4 GN 1/1 containers for open base cupboards (multifunctional cookers, solid top and gas ranges with cupboard) PNC 206244
- Flue condenser for 1 module, 150 mm diameter PNC 206246
- Pair of side kicking strips PNC 206249
- Electric heating kit for cupboards PNC 206259
- Single burner smooth plate for direct cooking PNC 206260
- Single burner ribbed plate for direct cooking PNC 206261
- Single burner radiant plate for pan support PNC 206264
- Pair of side kicking strips (concrete installation) PNC 206265
- Water column with swivel arm (water column extension not included) PNC 206289
- Water column extension PNC 206291
- Stainless steel double grid for 2 burners PNC 206297
- Chimney upstand, 1200mm PNC 206306
- 2 side covering panels, height 700 mm, depth 700 mm PNC 206319
- 2 drawers (h=100mm) PNC 206328
- Door for open base cupboard PNC 206343
- Wok pan support for open burners (700/900 lines) PNC 206363
- Base support for feet or wheels - 1200mm (700/900 lines) PNC 206368
- Base support for feet or wheels - 1600mm (700/900 lines) PNC 206369
- Rear paneling - 1200mm (700/900 lines) PNC 206376
- Double burner smooth plate for direct cooking PNC 921684
- Double burner ribbed plate for direct cooking PNC 921685
- Pressure regulator for gas units PNC 927225

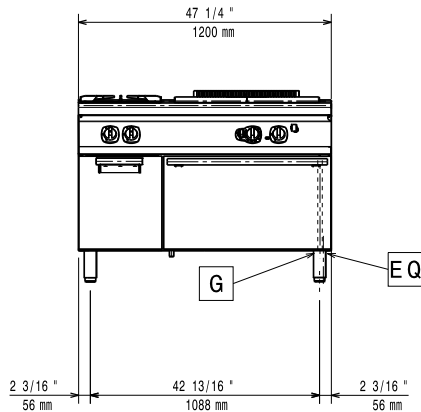


Modular Cooking Range Line ECO 70 Gas Solid Top on Gas Oven with 2 Burners and Cupboard

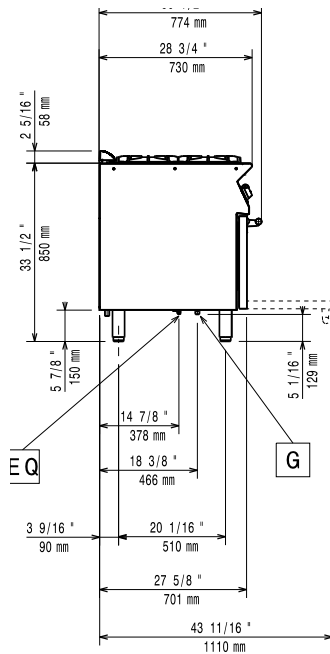
The company reserves the right to make modifications to the products without prior notice. All information correct at time of printing.

Modular Cooking Range Line ECO 70 Gas Solid Top on Gas Oven with 2 Burners and Cupboard

Front

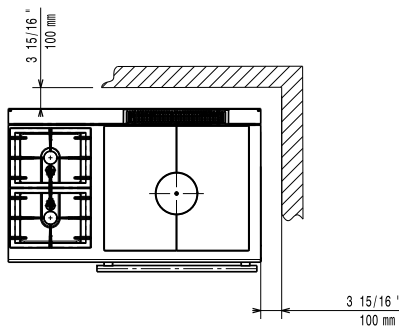


Side



EQ = Equipotential screw
G = Gas connection

Top



Gas

Gas Power:

373010 (A7STGL3010) 81816 Btu/hr (24 kW)

Gas Type Option:

LPG

Gas Inlet:

1/2"

Natural gas - Pressure:

7" w.c. (17.4 mbar)

LPG Gas Pressure:

11" w.c. (27.7 mbar)

Key Information

Front Burners Power	5.5 - kW
Back Burners Power	5.5 - 0 kW
Back Burners Dimension - mm	Ø 60
Front Burners Dimension - mm	Ø 60
Solid top usable surface (width):	690 mm
Solid top usable surface (depth):	590 mm
Oven working Temperature:	110 °C MIN; 270 °C MAX
Oven Cavity Dimensions (width):	540 mm
Oven Cavity Dimensions (height):	300 mm
Oven Cavity Dimensions (depth):	650 mm
Storage Cavity Dimensions (width):	330 mm
Storage Cavity Dimensions (height):	420 mm
Storage Cavity Dimensions (depth):	640 mm
Shipping weight:	160 kg
Shipping height:	1140 mm
Shipping width:	1300 mm
Shipping depth:	820 mm
Shipping volume:	1.22 m ³

If appliance is set up or next to or against temperature sensitive furniture or similar, a safety gap of approximately 150 mm should be maintained or some form of heat insulation fitted.