

Modular Cooking Range Line ECO700 2 Drawer Refrigerated Base

ITEM # _____

MODEL # _____

NAME # _____

SIS # _____

AIA # _____



373255 (A7BAPL00RE)

Refrigerated base with 2 GN1/1 drawers, +10-2°C, automatic evaporation of defrost condense

Short Form Specification

Item No. _____

Built-in refrigerator compressor unit. Operating temperature range from -2°C to 10°C. To be installed below ECO700 top units. To be delivered with 50 mm height adjustable feet. Exterior panels in stainless steel with Scotch Brite finish. Suitable to operate with ambient temperature up to +43°C. Constructed to allow flush-fitting junction between units.

Main Features

- Unit delivered with 50 mm height adjustable feet in Stainless steel.
- Adjustable temperature range from -2 °C to +10 ° C to suit meat, fish and dairy storage requirements.
- Anti-tilt runners accept GN 1/1 containers.
- Forced air circulation for rapid cooling and an even temperature distribution.
- Right angled side edges eliminate gaps and possible dirt traps between units.
- Unit can be easily installed below other ECO 70 top models.
- Designed for modular installation into the cooking block.

Construction

- Exterior panels in Stainless steel with Scotch Brite finish to meet the highest hygiene standards.
- Built-in compressor to suit operating conditions.
- Access to all components from the front.
- CFC free (ecological refrigerant type: R404a, - gas in foam: cyclopentane).

Optional Accessories

- Flanged feet kit PNC 206136
- Frontal kicking strip for concrete installation, 1200mm PNC 206151
- Frontal kicking strip for concrete installation, 1600mm PNC 206152
- Frontal kicking strip, 1200mm (not for refr-freezer base) PNC 206178
- Frontal kicking strip, 1600mm (not for refr-freezer base) PNC 206179
- Kit 4 feet for concrete installation (not for 900 line free standing grill) PNC 206210
- 2 panels for service duct for single "top on base" installation PNC 206248
- Pair of side kicking strips PNC 206249
- Pair of side kicking strips (concrete installation) PNC 206265
- 2 side covering panels, height 700 mm, depth 700 mm PNC 206319
- 2 DRAWERS FOR REFRIGERATED BASE 700 LINE PNC 206349
- Base support for feet or wheels - 1200mm (700/900 lines) PNC 206368
- Base support for feet or wheels - 1600mm (700/900 lines) PNC 206369
- Rear paneling - 1200mm (700/900 lines) PNC 206376

APPROVAL: _____



Modular Cooking Range Line ECO700 2 Drawer Refrigerated Base

- KIT 6 WHEELS - 3SWIVELLING WITH BRAKE- PNC 206432 □
UK



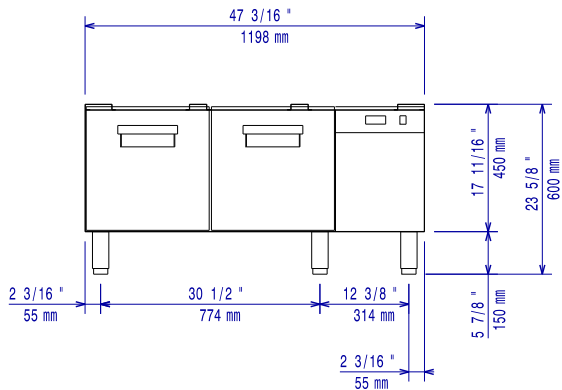
**Modular Cooking Range Line
ECO700 2 Drawer Refrigerated Base**

The company reserves the right to make modifications to the products without prior notice. All information correct at time of printing.

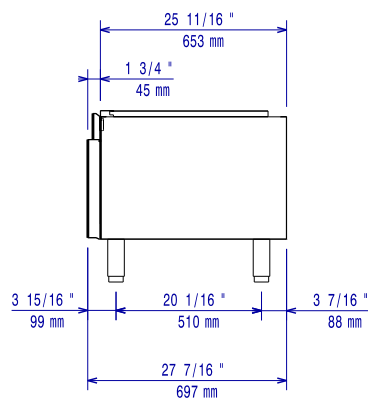
2018.06.14

Modular Cooking Range Line ECO700 2 Drawer Refrigerated Base

Front

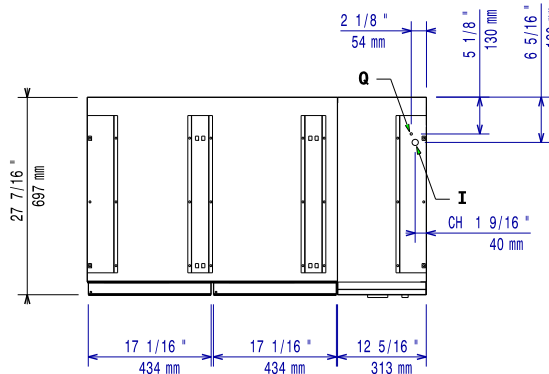


Side



D = Drain
EI = Electrical connection

Top



Electric

Supply voltage:	373255 (A7BAPL00RE)	230 V/1N ph/50 Hz
Electrical power, max:		0.5 kW
Total Watts:		0.5 kW

Key Information

Gross capacity	152 lt
External dimensions, Width	1200 mm
External dimensions, Height	600 mm
External dimensions, Depth	700 mm
Shipping weight:	116 kg
Shipping height:	820 mm
Shipping width:	1300 mm
Shipping depth:	800 mm
Shipping volume:	0.85 m ³

Refrigeration Data

Refrigerant type:	R404a
Refrigeration power:	510 W
Refrigerant weight:	400 g