

## Modular Cooking Range Line ECO700 3 Drawer Refrigerated Base

ITEM # \_\_\_\_\_

MODEL # \_\_\_\_\_

NAME # \_\_\_\_\_

SIS # \_\_\_\_\_

AIA # \_\_\_\_\_



373257 (A7BAPP00RE)

Refrigerated base with 3 GN1/1 drawers, +10-2°C, automatic evaporation of defrost condense

### Short Form Specification

**Item No.** \_\_\_\_\_

Built-in refrigerator compressor unit. Operating temperature range from -2°C to 10°C. To be installed below ECO700 top units. To be delivered with 50 mm height adjustable feet. Exterior panels in stainless steel with Scotch Brite finish. One piece pressed work top in 1.5 mm thick stainless steel. Right-angled side edges to allow flush-fitting junction between units.

### Main Features

- Unit delivered with 50 mm height adjustable feet in Stainless steel.
- Adjustable temperature range from -2 °C to +10 ° C to suit meat, fish and dairy storage requirements.
- Anti-tilt runners accept GN 1/1 containers.
- Forced air circulation for rapid cooling and an even temperature distribution.
- Right angled side edges eliminate gaps and possible dirt traps between units.
- Unit can be easily installed below other ECO 70 top models.
- Designed for modular installation into the cooking block.

### Construction

- Constructed in Stainless steel with Scotch Brite finish to meet the highest hygiene standards.
- Built-in compressor to suit operating conditions.
- Access to all components from the front.
- CFC free (ecological refrigerant type: R404a, - gas in foam: cyclopentane).

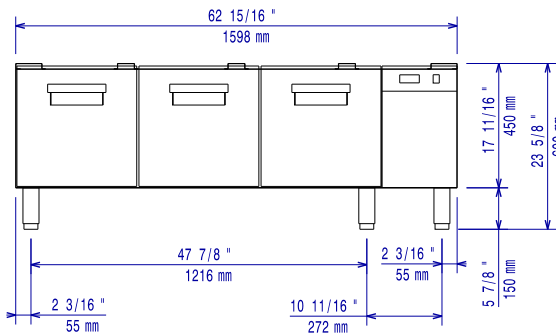
### Optional Accessories

- Flanged feet kit PNC 206136
- Frontal kicking strip for concrete installation, 1600mm PNC 206152
- Frontal kicking strip, 1600mm (not for refr-freezer base) PNC 206179
- Kit 4 feet for concrete installation (not for 900 line free standing grill) PNC 206210
- 2 panels for service duct for single "top on base" installation PNC 206248
- Pair of side kicking strips PNC 206249
- Pair of side kicking strips (concrete installation) PNC 206265
- 2 side covering panels, height 700 mm, depth 700 mm PNC 206319
- 2 DRAWERS FOR REFRIGERATED BASE 700 LINE PNC 206349
- Base support for feet or wheels - 1600mm (700/900 lines) PNC 206369
- KIT 6 WHEELS - 3SWIVELLING WITH BRAKE-UK PNC 206432

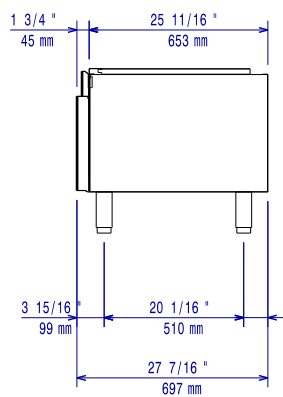
APPROVAL: \_\_\_\_\_

# Modular Cooking Range Line ECO700 3 Drawer Refrigerated Base

**Front**

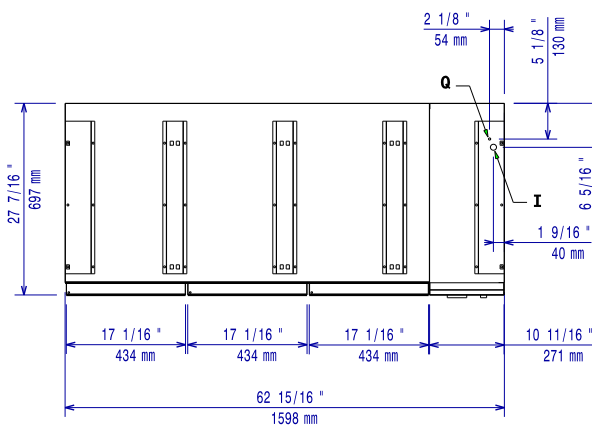


**Side**



**D** = Drain  
**EI** = Electrical connection

**Top**



## Electric

Supply voltage:	373257 (A7BAPP00RE)	230 V/1N ph/50 Hz
Electrical power, max:		0.5 kW
Total Watts:		0.5 kW

## Key Information

Gross capacity	240 lt
External dimensions, Width	1600 mm
External dimensions, Height	600 mm
External dimensions, Depth	700 mm
Shipping weight:	130 kg
Shipping height:	820 mm
Shipping width:	1700 mm
Shipping depth:	800 mm
Shipping volume:	1.12 m <sup>3</sup>

## Refrigeration Data

Refrigerant type:	R404a
Refrigeration power:	510 W
Refrigerant weight:	400 g