

Modular Cooking Range Line EVO700 6-Burner Gas Range on Large Gas Oven-UK

ITEM # _____

MODEL # _____

NAME # _____

SIS # _____

AIA # _____


373173 (A7GCGI6CLG)

6-burner (5,5 kW each) gas range with large gas oven (9 kW) - UK

Short Form Specification

Item No.

To be installed on stainless steel feet with height adjustment up to 50 mm. High efficiency flower flame burners with flame regulator. Flame failure device as standard on burners to protect against accidental extinguishing. Oven chamber with 4 levels of runners. Ribbed oven base plate. Exterior panels of unit in stainless steel with Scotch Brite finish. Pan supports in heavy duty cast iron. One piece pressed work top in 1.5 mm thick stainless steel. Right-angled side edges to allow flush-fitting junction between units.

Main Features

- Base compartment consists of a large gas heated standard oven with stainless steel burners and self stabilizing flame positioned beneath the base plate. Oven chamber to have 3 levels of runners to accommodate 2/1 GN shelves (2 steam pans) and ribbed cast iron base plate.
- Flame failure device on each burner protects against gas leakage when accidental extinguishing of the flame occurs.
- Gas appliance supplied for use with natural or LPG gas, conversion jets supplied as standard.
- IPX5 water protection.
- Large sized pan support in cast iron (stainless steel as option) with long center fins to allow the use of the largest down to the smallest pans.
- Protected pilot light.
- The special design of the control knob system guarantees against water infiltration.
- Burners with optimized combustion.
- Unit to be mounted on stainless steel feet with height adjustment up to 50 mm. Unit can be easily mounted on cantilever systems.
- Oven thermostat adjustable from 120 °C to 280 °C.
- 40 mm thick oven door for heat insulation.

Construction

- Unit is 930 mm deep to give a larger working surface area.
- All exterior panels in Stainless Steel with Scotch Brite finishing.
- AISI 304 stainless steel worktop, 2mm thick.
- Model has right-angled side edges to allow flush fitting joints between units, eliminating gaps and possible dirt traps.

Optional Accessories

- | | | |
|---|------------|--------------------------|
| • Junction sealing kit | PNC 206086 | <input type="checkbox"/> |
| • 4 wheels, 2 swivelling with brake. It is mandatory to install with base supports for feet/wheels. | PNC 206135 | <input type="checkbox"/> |
| • Flanged feet kit | PNC 206136 | <input type="checkbox"/> |
| • Frontal handrail 400 mm | PNC 206166 | <input type="checkbox"/> |
| • Frontal handrail 800 mm | PNC 206167 | <input type="checkbox"/> |
| • Large handrail (portioning shelf) 400 mm | PNC 206185 | <input type="checkbox"/> |
| • Right and left side handrails | PNC 206240 | <input type="checkbox"/> |
| • Single burner smooth plate for direct cooking | PNC 206260 | <input type="checkbox"/> |

APPROVAL: _____



Modular Cooking Range Line EVO700 6-Burner Gas Range on Large Gas Oven-UK

- Single burner ribbed plate for direct cooking PNC 206261
- Single burner radiant plate for pan support PNC 206264
- Pair of side kicking strips (concrete installation) PNC 206265
- Water column with swivel arm (water column extension not included) PNC 206289
- Stainless steel double grid for 2 burners PNC 206297
- 2 side covering panels, height 700 mm, depth 700 mm PNC 206319
- Wok pan support for open burners (700/900 lines) PNC 206363
- Base support for feet or wheels - 800mm (700/900 lines) PNC 206367
- Base support for feet or wheels (lateral) for 700 line - for 6 burners on oven 900mm wide, pasta cookers, refrigerated bases. PNC 206371
- Rear paneling - 1200mm (700/900 lines) PNC 206376
- 4 wheels, 2 swivelling with brake (700/900 lines) - UK PNC 206382
- Double burner smooth plate for direct cooking PNC 921684
- Double burner ribbed plate for direct cooking PNC 921685
- Pressure regulator for gas units PNC 927225



Modular Cooking Range Line
EVO700 6-Burner Gas Range on Large Gas Oven-UK

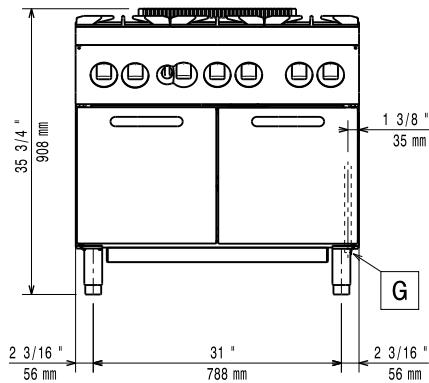
The company reserves the right to make modifications to the products without prior notice. All information correct at time of printing.

2018.06.14

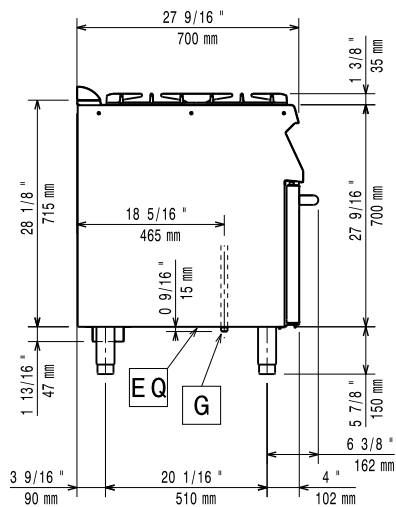


Modular Cooking Range Line EVO700 6-Burner Gas Range on Large Gas Oven-UK

Front

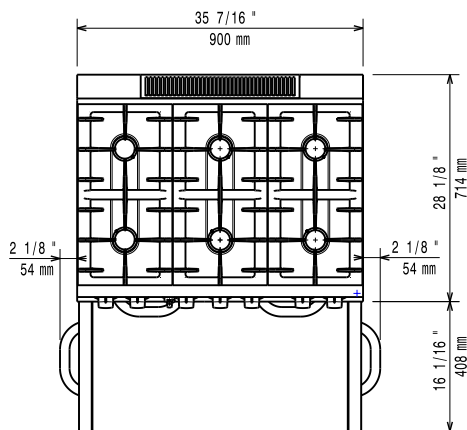


Side



G = Gas connection

Top



Gas

Gas Power:

373173 (A7GCGI6CLG)	143178 Btu/hr (42 kW)
Standard gas delivery:	Natural Gas G20 (20mbar)
Gas Type Option:	LPG;Town
Gas Inlet:	1/2"

Key Information

Front Burners Power	5.5 - 5.5 kW
Back Burners Power	5.5 - 5.5 kW
Middle Burners Power:	5.5 - 0/5.5 - 0 kW
Back Burners Dimension - mm	Ø 60 Ø 60
Front Burners Dimension - mm	Ø 60 Ø 60
Middle Burners Dimension - mm	Ø 60 Ø 60
Oven working Temperature:	110 °C MIN; 300 °C MAX
Oven Cavity Dimensions (width):	760 mm
Oven Cavity Dimensions (height):	390 mm
Oven Cavity Dimensions (depth):	540 mm
Shipping weight:	126 kg
Shipping height:	1100 mm
Shipping width:	820 mm
Shipping depth:	860 mm
Shipping volume:	0.78 m ³

If appliance is set up or next to or against temperature sensitive furniture or similar, a safety gap of approximately 150 mm should be maintained or some form of heat insulation fitted.