

**Warewashing
Small Glasswasher, Single Skin +
Drain Pump, Detergent and Rinse
Aid Dispensers, 1 cycle, 30b/h, UK**

ITEM # _____
 MODEL # _____
 NAME # _____
 SIS # _____
 AIA # _____



402122 (NGWSIGFUK)

Glasswasher (small) with drain pump, tank filter, rinse aid and detergent dispensers, 1 cycle, 30b/h - UK

Short Form Specification

Item No. _____

Unit shall be small Glasswasher type for rack dimension of 400*400mm. 304 AISI stainless steel front panel, wash tank, tank filter and wash and rinse arms. Double skinned counter-balance door and double skinned cabinet. Upper and lower rotary washing arms and rinsing arms. Separate washing and rinsing circuits. Built-in 5 litre boiler, washing temperature 55/65°C and hot rinse temperature 80/90°C. 1 washing cycle: 120 seconds. Rinse aid dispenser. Detergent dispenser. Drain pump. Hourly capacity: 30 baskets. Supplied with: n. 1 basket for glasses (400x400mm). Delivered with UK plug.

Main Features

- Low noise level.
- Equipped with drain pump for easy and quick installation without opening the machine.
- Simple control panel.
- Built-in pressure boiler designed to raise incoming water to a guaranteed minimum temperature of 82°C for sanitizing rinse. No external booster is required.
- 120 seconds cycle.
- Deep drawn pressed wash tank with fully rounded corners, sloped towards the drain to prevent dirt build up provides fast drainage in only a few minutes. Pressed wash tank with no welded points offer a guaranteed water tight solution.
- Maximum capacity of 30 racks per hour.
- Washing system endowed with rotating washing arms, high powered wash pump and large capacity wash tank for professional washing.
- Easy service access to main components (inlet valve, boiler heating elements, control panel components, rinse aid pump and/or detergent pump) without moving the unit.
- Detergent dispenser for easy connection to the external detergent source.

Construction

- Unit to feature smooth surfaces to facilitate cleaning.
- Completely closed on the back by a cover plate.
- Unit to feature rinse aid dispenser pump.
- Internal elements (arms and filter) easily extractable.
- Finished in top quality materials to ensure durability.
- 304 AISI stainless steel front panel, load bearing frame, wash tank, tank filter, wash and rinse arms.
- Double skin door construction preserves heat inside the tank to lower energy consumption and the noise. Counter-balance mechanism minimizes impact when opening and closing.

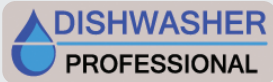
Included Accessories

- 1 of Stainless steel tank filter PNC 864003
- 1 of Square basket for glasses PNC 864470
400x400x150mm

Optional Accessories

- Filter for partial demineralization PNC 864017
- Kit to measure total and partial water hardness PNC 864050
- Rinse booster pump kit for single tank pressure dishwasher PNC 864051
- Yellow cutlery container PNC 864242
- Filter for total demineralization PNC 864367

APPROVAL: _____

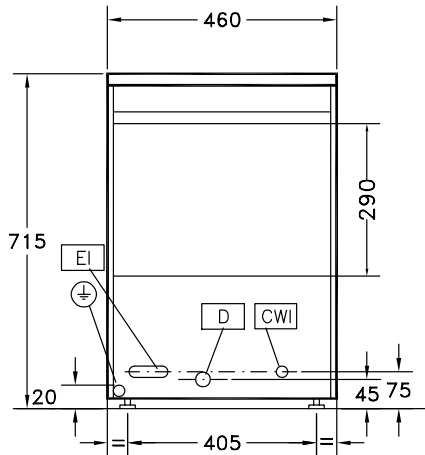


**Warewashing
Small Glasswasher, Single Skin + Drain
Pump, Detergent and Rinse Aid
Dispensers, 1 cycle, 30b/h, UK**

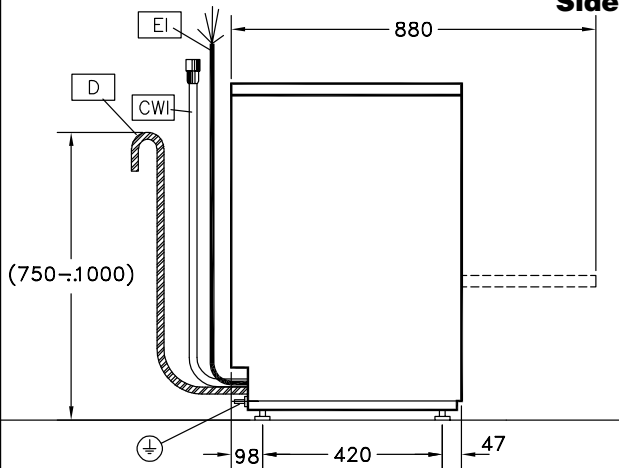
- Pressure reducer for single tank dishwasher PNC 864461
- Kit 4 plastic boxes for cutlery - yellow PNC 865574
- Cover grid for small/light items in rack PNC 867016
- Basket for glasses (395x395x115) PNC 867033
- Basket for 16 plates diam.190 mm, 8 plates diam. 240 mm PNC 867052
- Basket for glasses (h 100 mm) PNC 867053
- Basket for glasses (h 200 mm) PNC 867054
- Basket for glasses and saucers/cutlery inserts PNC 867055
- Basket for glasses with angled base PNC 867056
- Round basket kit with square frame PNC 867057
- Insert for "flute" glasses PNC 867058
- Insert for 14 saucers PNC 867060
- Inclined insert for cups PNC 867061
- Insert for 7 plates d. 240mm PNC 867062
- Square basket with angles for glasses 400x400x150 PNC 867067



Front

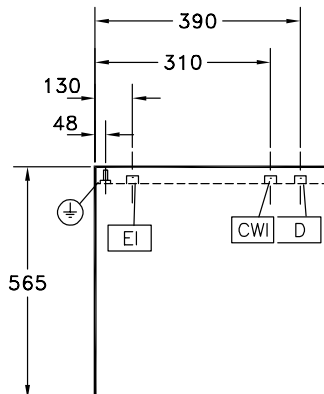


Side



- | | |
|-----------------------------------|----------------------------------|
| CW11 = Cold Water inlet | XD = Detergent connection |
| D = Drain | XR = Rinse aid connection |
| EI = Electrical connection | |
| EO = Electrical Outlet | |
| V = Air vents | |
| WI = Water inlet | |

Top



Electric

Supply voltage:	
402122 (NGWSIGFUK)	230 V/1N ph/50 Hz
Total Watts:	2.3 kW
Boiler heating elements:	
Tank heating elements:	0.8 kW
Wash pump size:	

Water

Pressure, bar min/max:	1.8-3 bar
Water supply temperature:	10 °C
Drain line size:	27mm
Inlet Water supply pressure:	26 - 44 psi (1.8 - 3 bar)
Working cycles time (sec.):	120
Boiler Capacity (lt):	5
Incoming water line size:	G 3/4"
Washing cycle tank capacity (lt):	6
Hot rinse cycle duration (sec.):	16
Hot rinse cycle water consumption (lt):	2.3

Key Information

N° of working cycles - sec.:	1 (120)
Cell dimensions - width	400 mm
Cell dimensions - depth	400 mm
Cell dimensions - height	290 mm
External dimensions, Width	460 mm
External dimensions, Height	715 mm
External dimensions, Depth	565 mm
Shipping weight:	41 kg
Shipping height:	870 mm
Shipping width:	650 mm
Shipping depth:	520 mm
Shipping volume:	0.29 m³
Noise level:	67.5 dBA
Basket capacity	30/h
Washing cycle temperature:	55-65 °C
Hot rinse cycle temperature:	80-90 °C