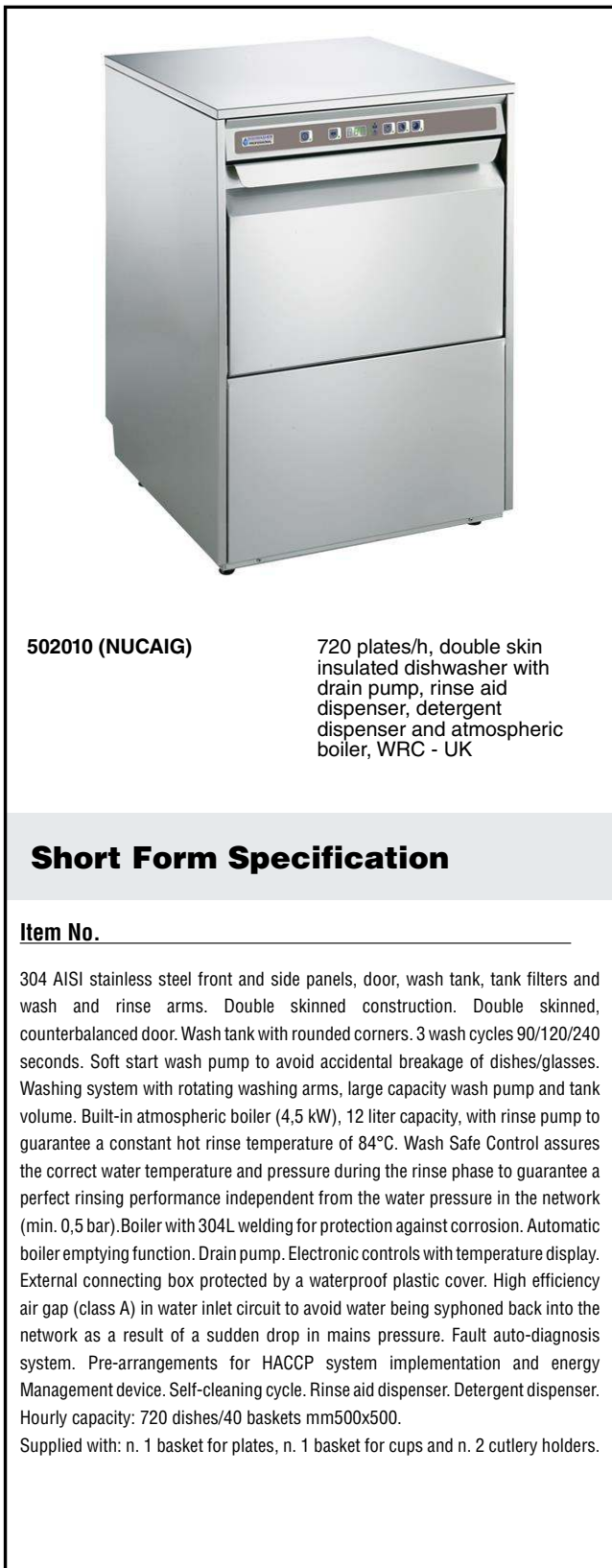


**Warewashing
Green & Clean Undercounter
Dishwasher with Wash Safe Control,
drain pump, detergent dispenser**

ITEM # _____
 MODEL # _____
 NAME # _____
 SIS # _____
 AIA # _____



502010 (NUCAIG)

720 plates/h, double skin insulated dishwasher with drain pump, rinse aid dispenser, detergent dispenser and atmospheric boiler, WRC - UK

Short Form Specification

Item No. _____

304 AISI stainless steel front and side panels, door, wash tank, tank filters and wash and rinse arms. Double skinned construction. Double skinned, counterbalanced door. Wash tank with rounded corners. 3 wash cycles 90/120/240 seconds. Soft start wash pump to avoid accidental breakage of dishes/glasses. Washing system with rotating washing arms, large capacity wash pump and tank volume. Built-in atmospheric boiler (4,5 kW), 12 liter capacity, with rinse pump to guarantee a constant hot rinse temperature of 84°C. Wash Safe Control assures the correct water temperature and pressure during the rinse phase to guarantee a perfect rinsing performance independent from the water pressure in the network (min. 0,5 bar).Boiler with 304L welding for protection against corrosion. Automatic boiler emptying function. Drain pump. Electronic controls with temperature display. External connecting box protected by a waterproof plastic cover. High efficiency air gap (class A) in water inlet circuit to avoid water being syphoned back into the network as a result of a sudden drop in mains pressure. Fault auto-diagnosis system. Pre-arrangements for HACCP system implementation and energy Management device. Self-cleaning cycle. Rinse aid dispenser. Detergent dispenser. Hourly capacity: 720 dishes/40 baskets mm500x500. Supplied with: n. 1 basket for plates, n. 1 basket for cups and n. 2 cutlery holders.

APPROVAL: _____

Main Features

- 4 second (variable) pause after washing and before rinsing ensures that no drops of unclean water will fall on the clean items at the end of the rinsing cycle.
- 90/120/240 seconds cycle.
- An effective rinse system uses only 3 litres of clean hot water per basket for lower running costs.
- Incorporated Soft Start feature to offer additional protection to more delicate items.
- Constant temperature of 84 °C throughout the rinsing cycle regardless of the network's water pressure and temperature.
- Built-in atmospheric boiler sized to raise incoming 50 ° C water to 84 °C minimum for sanitizing rinse. No external booster is required.
- Built-in rinse aid and detergent dispenser with automatic initial and continuous cycle loading for perfect result while minimizing service and maintenance needs.
- Digital read-out keeps operator informed as to temperatures.
- Double skinned insulated wall ensures a low noise level and a reduction in heat loss from the machine.
- Fault auto-diagnosis system.
- High efficiency air gap (class A) in water inlet circuit to avoid water being siphoned back into the network as a result of a sudden drop in main pressures.
- IPX 4 water protection.
- Low noise level.
- State-of-the-art electronic controls with built-in programming, self-diagnostics for serviceability and automatic interior self-cleaning cycle.
- Three phase or single phase electrical connection, convertible on-site.
- Unique strainer to enhance soil filtering.
- Unique temperature interlock guarantees required temperatures in both the wash and final rinse.
- WRAS-approved product.
- Washing capacity of 40 baskets or 720 dishes per hour.
- Utilizes fresh hot rinse water.

**Warewashing
Green & Clean Undercounter Dishwasher with Wash Safe
Control, drain pump, detergent dispenser**

Construction

- Element protection from dry fire and low water.
- Heavy duty Stainless steel construction.
- Incorporated drain pump to control water level in wash tank draining.
- Interchangeable wash/rinse arms screw out for simple clean up.
- Internal cavity as well as exterior panels are all 304 series Stainless steel.
- Large deep drawn wash tank and internal wash area with round corners and no pipes to avoid dirt built-up.
- Revolving Stainless steel wash/rinse arms above and below the basket.
- Special designed Stainless steel nozzles provide superior cleaning action.
- The boiler drain facilitates the evacuation of stagnant water after long periods of inactivity to ensure a higher level of hygiene.

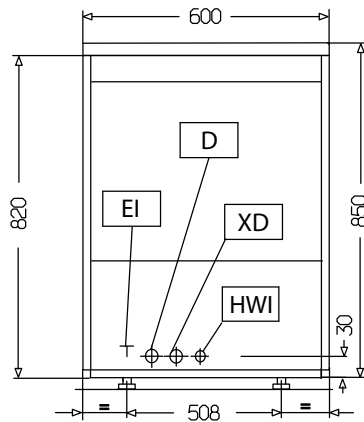
Included Accessories

- 2 of Yellow cutlery container PNC 864242
- 1 of Basket for 18 dinner plates - yellow PNC 867002
- 1 of Basket for 48 small cups or 24 cups - blue PNC 867007

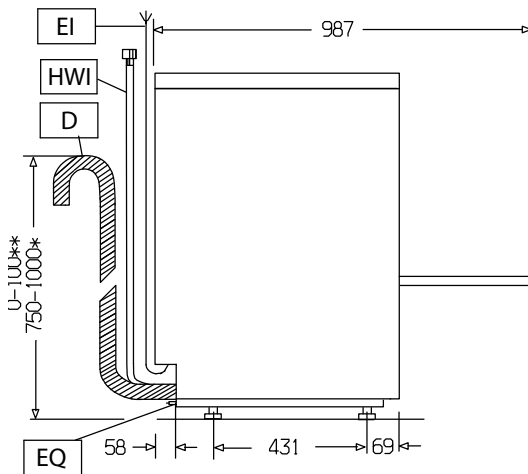
Optional Accessories

- External manual water softener - 12 lt PNC 860412
- External automatic water softener - 8 lt PNC 860413
- Stand for undercounter dishwasher PNC 860418
- External manual water softener - 20 lt PNC 860430
- Brass inlet valve kit for undercounter and hood type dishwashers PNC 864000
- Integrated HACCP kit PNC 864001
- External detergent level probe kit PNC 864004
- External rinse aid level probe kit PNC 864005
- Kit 4 castors for double skin undercounter dishwashers PNC 864008
- KIT 4 FLANGED FEET (MARINE FEET) FOR UC DW PNC 864009
- Filter for partial demineralization PNC 864017
- Kit to measure total and partial water hardness PNC 864050
- Yellow cutlery container PNC 864242
- AISI 304 stainless steel back panel for undercounters EUCAI, with a window for air gap PNC 864269
- Filter for total demineralization PNC 864367
- Reverse osmosis filter for single tank dishwasher with atmosphere boiler PNC 864388
- Pressure reducer for single tank dishwasher PNC 864461
- Half size basket universal PNC 864527
- Half size basket for plates PNC 864528
- Half size basket for glasses PNC 864529
- Kit 4 plastic boxes for cutlery - yellow PNC 865574
- Basket for 18 dinner plates - yellow PNC 867002
- Basket for 5 trays 530x325 mm - red, for undercounter (top level), utensil dishwashers, hood type, rack type PNC 867006
- Basket for 48 small cups or 24 cups - blue PNC 867007
- Wire basket for 12 plates up to 320 mm PNC 867014
- Cover grid for small/light items in rack PNC 867016
- Basket for long stem wine glasses PNC 867019
- Basket for 16 vertical glasses (h 70 mm - diam 100 mm) - blue PNC 867023
- Basket semi-professional 500x500x190mm PNC 867024

Front

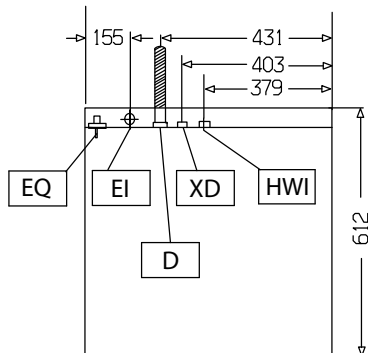


Side



- D** = Drain
- EI** = Electrical connection
- EO** = Electrical Outlet
- HWI** = Hot water inlet
- V** = Air vents
- XD** = Detergent connection
- XR** = Rinse aid connection

Top



Electric

Supply voltage:	
502010 (NUCAIG)	230 V/1N ph/50 Hz
Convertible to:	400V 3N~; 230V 3~
Total Watts:	7.35 kW
Tank heating elements:	2 kW
Washing cycle pump power:	0.736 kW

Water

Water supply temperature:	50 °C
Drain line size:	20.5mm
Inlet Water supply pressure:	7 - 102 psi (0.5 - 7 bar)
Water consumption per cycle (lt):	3
Working cycles time (sec.):	90/120/240
Boiler Capacity (lt):	12
Tank Capacity (lt):	23
Washing cycle tank capacity (lt):	23
Washing cycle electrical elements:	2 kW
Hot rinse cycle duration (sec.):	12
Hot rinse cycle water consumption (lt):	3

Key Information

Baskets per hour:	40
N° of working cycles - sec.:	3 (90/120/240)
Cell dimensions - width	500 mm
Cell dimensions - depth	500 mm
Cell dimensions - height	335 mm
Dishes per hour:	720
Wash temperature (MIN):	55-65°C
Rinse temperature (MIN):	84 °C
External dimensions, Width	600 mm
External dimensions, Height	850 mm
External dimensions, Depth	612 mm
Noise level:	<65 dBA
Dishes capacity:	720/hr
Basket capacity	40/h
Washing cycle temperature:	55-65 °C
Hot rinse cycle temperature:	84 °C