

## Warewashing Undercounter Dishwasher with drain pump, detergent dispenser, atmospheric boiler, 720d

ITEM # \_\_\_\_\_

MODEL # \_\_\_\_\_

NAME # \_\_\_\_\_

SIS # \_\_\_\_\_

AIA # \_\_\_\_\_



698005 (NUCA1DDG)

720 plates/h single skin dishwasher with powered atmospheric boiler (4,5kW), drain pump and detergent dispenser

### Short Form Specification

Item No. \_\_\_\_\_

304 AISI stainless steel front and side panels, door, wash tank, tank filters and wash and rinse arms. Double skinned construction. Double skinned, counterbalanced door. Wash tank with rounded corners. 3 wash cycles 90/120/240 seconds. Soft start wash pump to avoid accidental breakage of dishes/glasses. Washing system with rotating washing arms, large capacity wash pump and tank volume. Built-in atmospheric boiler (4,5 kW), 12 liter capacity, with rinse pump to guarantee a constant hot rinse temperature of 84°C. Boiler with 304L welding for protection against corrosion. Automatic boiler emptying function. Drain pump. Electronic controls with temperature display. External connecting box protected by a waterproof plastic cover. High efficiency air gap (class A) in water inlet circuit to avoid water being syphoned back into the network as a result of a sudden drop in mains pressure. Fault auto-diagnosis system. Pre-arrangements for HACCP system implementation and energy Management device. Self-cleaning cycle. Detergent dispenser. Hourly capacity: 720 dishes/40 baskets mm500x500.  
Supplied with: n. 1 basket for plates, n. 1 basket for cups and n. 2 cutlery holders.

### Main Features

- Constant temperature of 84 °C throughout the rinsing cycle regardless of the network's water pressure and temperature.
- Built-in atmospheric boiler sized to raise incoming 50 °C water to 84 °C minimum for sanitizing rinse. No external booster is required.
- High efficiency air gap (class A) in water inlet circuit to avoid water being siphoned back into the network as a result of a sudden drop in main pressures.
- An effective rinse system uses only 3 litres of clean hot water per basket for lower running costs.
- Washing capacity of 40 baskets or 720 dishes per hour.
- 4 second (variable) pause after washing and before rinsing ensures that no drops of unclean water will fall on the clean items at the end of the rinsing cycle.
- Incorporated Soft Start feature to offer additional protection to more delicate items.
- Unique temperature interlock guarantees required temperatures in both the wash and final rinse.
- IPX 4 water protection.
- Utilizes fresh hot rinse water.
- Digital read-out keeps operator informed as to temperatures.
- Fault auto-diagnosis system.
- State-of-the-art electronic controls with built-in programming, self-diagnostics for serviceability and automatic interior self-cleaning cycle.
- 90/180 seconds cycle.
- Unit to include drain, detergent and rinse aid dispenser pumps
- Built-in rinse aid dispenser with automatic initial and continuous cycle loading for perfect result while minimizing service and maintenance needs.
- Low noise level.

### Construction

- Single phase electrical connection.
- Heavy duty Stainless steel construction.
- Internal cavity as well as exterior panels are all 304 series Stainless steel.
- Interchangeable wash/rinse arms screw out for simple clean up.
- Element protection from dry fire and low water.
- The boiler drain facilitates the evacuation of stagnant water after long periods of inactivity to ensure a higher level of hygiene.

APPROVAL: \_\_\_\_\_

### Included Accessories

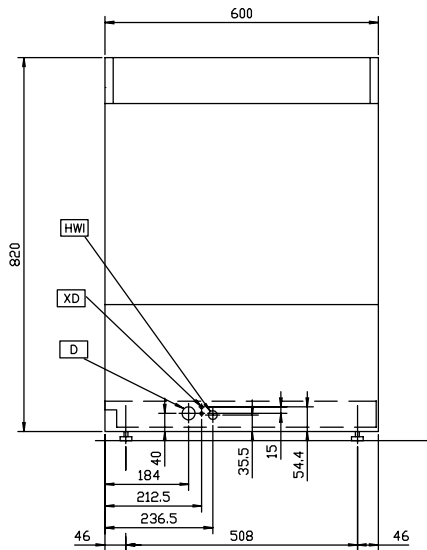
- 1 of Stainless steel tank filter for single skin undercounter PNC 864222
- 1 of Yellow cutlery container PNC 864242
- 1 of Basket for 48 small cups or 24 cups - blue PNC 867007

### Optional Accessories

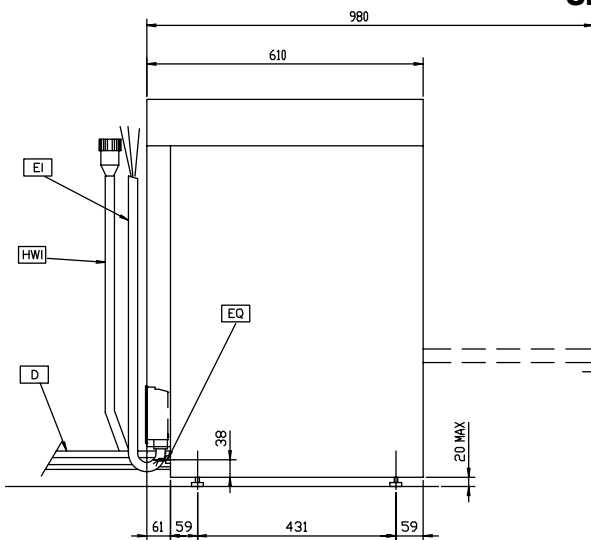
- External manual water softener - 12 lt PNC 860412
- External automatic water softener - 8 lt PNC 860413
- Stand for undercounter dishwasher PNC 860418
- External manual water softener - 20 lt PNC 860430
- Integrated HACCP kit PNC 864001
- External detergent level probe kit PNC 864004
- External rinse aid level probe kit PNC 864005
- KIT 4 FLANGED FEET (MARINE FEET) FOR UC DW PNC 864009
- Drain pump kit for 50Hz dishwashers PNC 864012
- Stainless steel inlet hose kit PNC 864016
- Filter for partial demineralization PNC 864017
- Kit to measure total and partial water hardness PNC 864050
- Detergent dosing kit PNC 864218
- Yellow cutlery container PNC 864242
- AISI 304 stainless steel back panel for undercounters EUC PNC 864246
- Filter for total demineralization PNC 864367
- Pressure reducer for single tank dishwasher PNC 864461
- Half size basket universal PNC 864527
- Half size basket for plates PNC 864528
- Half size basket for glasses PNC 864529
- Kit 4 plastic boxes for cutlery - yellow PNC 865574
- Basket for 18 dinner plates - yellow PNC 867002
- Basket for 48 small cups or 24 cups - blue PNC 867007
- Cover grid for small/light items in rack PNC 867016

- Basket for 16 vertical glasses (h 70 mm - diam PNC 867023 100 mm) - blue

**Front**

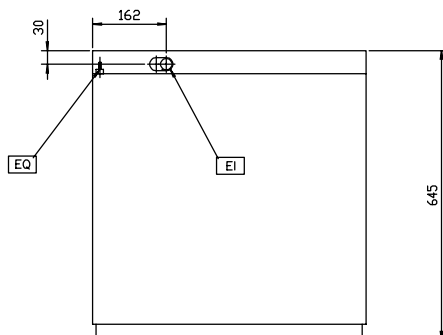


**Side**



- D** = Drain
- EI** = Electrical connection
- EO** = Electrical Outlet
- HWI** = Hot water inlet
- V** = Air vents
- XD** = Detergent connection
- XR** = Rinse aid connection

**Top**



**Electric**

<b>Supply voltage:</b>	230 V/1N ph/50 Hz
<b>698005 (NUCA1DDG)</b>	
<b>Convertible to:</b>	230V 3~; 400V 3N~
<b>Total Watts:</b>	5.65 kW
<b>Tank heating elements:</b>	2 kW

**Water**

<b>Incoming Hot Water line size:</b>	G 3/4"
<b>Water supply temperature:</b>	50 °C
<b>Drain line size:</b>	20.5 mm
<b>Inlet Water supply pressure:</b>	7 - 102 psi (0.5 - 7 bar)
<b>Inlet Water supply hardness:</b>	7-14 (°fH) / 4-8 (°dH)
<b>Water consumption per cycle (lt):</b>	3
<b>Working cycles time (sec.):</b>	90/180
<b>Boiler Capacity (lt):</b>	5.8
<b>Tank Capacity (lt):</b>	33
<b>Hot rinse cycle duration (sec.):</b>	12
<b>Hot rinse cycle water consumption (lt):</b>	3

**Key Information**

<b>Baskets per hour:</b>	40
<b>N° of working cycles - sec.:</b>	2 (90/180)
<b>Cell dimensions - width</b>	500 mm
<b>Cell dimensions - depth</b>	500 mm
<b>Cell dimensions - height</b>	330 mm
<b>Dishes per hour:</b>	720
<b>Wash temperature (MIN):</b>	55-65°C
<b>Rinse temperature (MIN):</b>	84 °C
<b>External dimensions, Width</b>	600 mm
<b>External dimensions, Height</b>	820 mm
<b>External dimensions, Depth</b>	610 mm
<b>Noise level:</b>	<70 dBA

Electrical supply cable included. Open air gap valve. Stainless steel tank filters included.

<b>Hot rinse cycle temperature:</b>	84 °C
-------------------------------------	-------

