



# Electrolux

## Libero Line Series Libero Point - 2 unit freestanding counter

ITEM # \_\_\_\_\_

MODEL # \_\_\_\_\_

NAME # \_\_\_\_\_

SIS # \_\_\_\_\_

AIA # \_\_\_\_\_



Electrolux



351064 (NELP2G)

Libero Point mobile counter.  
Suitable for 2 Libero Line  
appliances - UK version

### Short Form Specification

Item No. \_\_\_\_\_

Can accommodate up to two electric table top appliances. Heavy duty stainless steel construction. Integrated radial fan (variable speed) ventilation system that reduces cooking odours from the cooking surfaces of the table top appliances. Air is filtered through the top of the appliance and released at the base. The self-contained air-filtration system is equipped with 3 filters, a dishwasher safe mechanical filter with a fine-meshed metal filter and a carbon activated filter. Large glass top suited for placing dishes to serve customers. Electrical plugs protected by covering plates. Side supports each holding n.2 GN 1/9 containers. Mounted on 4 swivelling wheels (two with brake). Rounded edges and smooth surfaces for easier cleaning. Cord and plug included. Optional accessories: drawers, tilting side shelves and customized front panels can be ordered on request.

### Main Features

- Can accommodate up to two Libero Line tabletop appliances.
- Integrated variable speed fan ventilation system with multi-step filter solution to reduce cooking odors and steam from the cooking surfaces of the tabletop appliances.
- IP24 protected.
- Compact, lightweight and easy to move.
- Mounted on 4 swiveling wheels.
- Rounded edges and smooth surfaces to facilitate cleaning operations.
- Technological 3-stage filtering system composed of: a mechanical labyrinth filter for bigger particles of grease and steam, a mesh (metallic net) filter and carbon activated filters to absorb residual humidity and odors.
- Push open optional neutral drawers for additional storage space.

### Construction

- Heavy duty Stainless steel construction.
- Glass side splash guards and stainless steel front serving shelf.
- Side supports to hold GN 1/9 container.

### Included Accessories

- 4 of Stainless steel 1/9 GN container PNC 329050 h.65 mm
- 3 of Carbon filter PNC 650069
- 1 of Support for containers right side PNC 650070 (LP2 - LP3)
- 1 of Support for containers left side PNC 650071 (LP2 - LP3)
- 2 of Labyrinth filter with stainless steel grid PNC 650072

### Optional Accessories

- Stainless steel 1/9 GN container h.65 mm PNC 329050
- Stainless steel 1/9 GN container h.100 mm PNC 329051
- Stainless steel lid for 1/9 GN containers PNC 329052
- Tilting side shelf for Libero Point PNC 650005
- Set of 2 front panels with teak wood finishing (LP 2) PNC 650017
- Set of 2 front panels with Blue finishing (LP 2) PNC 650018
- Set of 2 front panels with Red finishing (LP 2) PNC 650019
- Set of 2 front panels with Green finishing (LP 2) PNC 650020
- Top neutral drawer for Libero point PNC 650030
- Bottom neutral drawer for Libero point PNC 650033

APPROVAL: \_\_\_\_\_



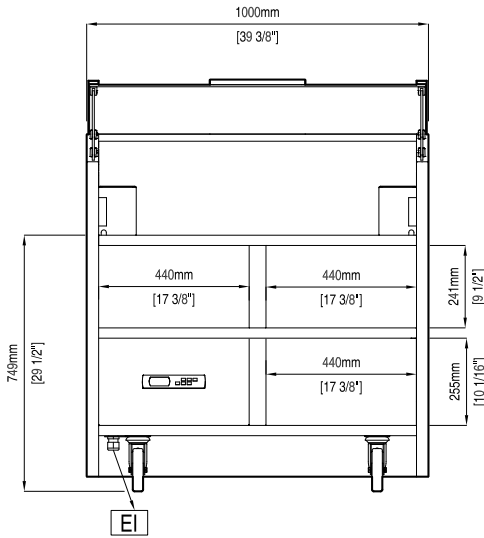
- Carbon filter PNC 650069  
□
- Support for containers right side (LP2 - LP3) PNC 650070  
□
- Support for containers left side (LP2 - LP3) PNC 650071  
□
- Labyrinth filter with stainless steel grid PNC 650072  
□
- EUTECTIC CONTAINER GN 1/1 (H=165MM) PNC 653698  
□
- LID FOR EUTECTIC CONTAINER GN 1/1 PNC 653699  
□
- EUTECTIC CONTAINER GN 1/2 (H=152MM) PNC 653700  
□
- LID FOR EUTECTIC CONTAINER GN 1/2 PNC 653701  
□
- EUTECTIC CONTAINER GN 1/3 (H=155MM) PNC 653702  
□
- LID FOR EUTECTIC CONTAINER GN 1/3 PNC 653703  
□



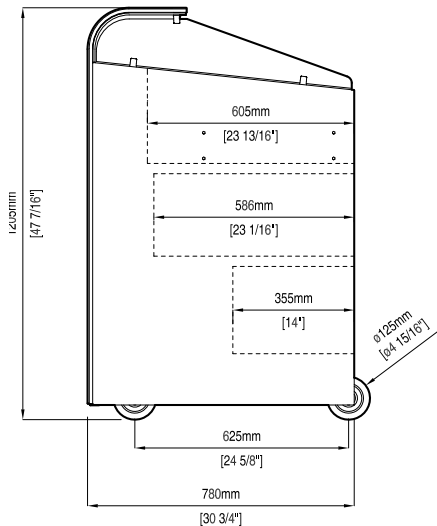
# Electrolux

## Libero Line Series Libero Point - 2 unit freestanding counter

Front

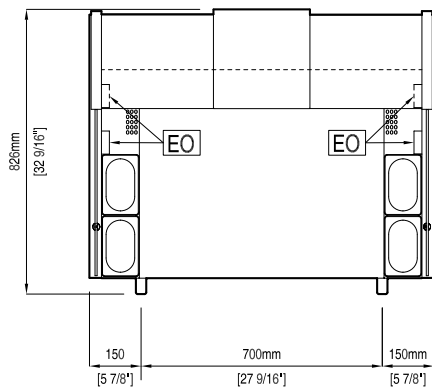


Side



EI = Electrical connection  
 EO = Electrical Outlet

Top



### Electric

<b>Supply voltage:</b>	
<b>351064 (NELP2G)</b>	400 V/3N ph/50 Hz
<b>Electrical power, max:</b>	0.3 kW
<b>Plug type:</b>	IEC/EN 60309-1/2
<b>Minimum Circuit Ampacity (MCA):</b>	32A

### Key Information

<b>Aspiration capacity:</b>	
<b>Speed level 8:</b>	370 m <sup>3</sup> /h
<b>Speed level 10:</b>	550 m <sup>3</sup> /h
<b>External dimensions, Width</b>	1000 mm
<b>External dimensions, Height</b>	1204 mm
<b>External dimensions, Depth</b>	780 mm

### Suitable Appliances

<b>Induction cooktop, Infrared cooktop, Induction wok and Griddle - UK version</b>	
<b>Plug type</b>	IEC/EN 60309-1/2

Libero Line Series  
 Libero Point - 2 unit freestanding counter

The company reserves the right to make modifications to the products without prior notice. All information correct at time of printing.