



# Electrolux

## Libero Line Series Libero Point, 2 unit freestanding refrigerated counter

ITEM # \_\_\_\_\_

MODEL # \_\_\_\_\_

NAME # \_\_\_\_\_

SIS # \_\_\_\_\_

AIA # \_\_\_\_\_



Electrolux



351068 (NERLP2G)

Libero point mobile counter with 2 refrigerated drawers. Suitable for 2 Libero (1ph) appliances (UK)

### Short Form Specification

**Item No.** \_\_\_\_\_

Can accommodate up to two electric table top appliances. Heavy duty stainless steel construction. Two integrated stainless steel refrigerated drawers with independent regulation allowing a temperature range between 0 and +10°C at an ambient temperature of 25°C with 50% humidity level, no drain required. Integrated radial fan (variable speed) ventilation system that reduces cooking odours from the cooking surfaces of the table top appliances. Air is filtered through the top of the appliance and released at the base. The self-contained air-filtration system is equipped with 3 filters, a dishwasher safe mechanical filter with a fine-meshed metal filter and a carbon activated filter. Large glass top suited for placing dishes to serve customers. Electrical plugs protected by covering plates. Side supports each holding n.2 GN 1/9 containers. Mounted on 4 swivelling wheels (two with brake). Rounded edges and smooth surfaces for easier cleaning. Cord and plug included. Optional accessories: drawers, tilting side shelves, GN container support for refrigerated drawers and customized front panels can be ordered on request.

### Main Features

- Two integrated stainless steel refrigerated drawers with independent regulation allowing a temperature range between 0 and +10°C at an ambient temperature of 25°C with 50% humidity level. No drain required.
- Can accommodate up to two Libero Line tabletop appliances.
- Integrated variable speed fan ventilation system with multi-step filter solution to reduce cooking odors and steam from the cooking surfaces of the tabletop appliances.
- Technological 3-stage filtering system composed of: a mechanical labyrinth filter for bigger particles of grease and steam, a mesh (metallic net) filter and carbon activated filters to absorb residual humidity and odors.
- Mounted on 4 swiveling wheels.
- Compact, lightweight and easy to move.
- Rounded edges and smooth surfaces to facilitate cleaning operations.
- IP24 protected.

### Construction

- Glass side splash guards and stainless steel front serving shelf.
- Side supports to hold GN 1/9 container.
- Heavy duty Stainless steel construction.

### Included Accessories

- 4 of Stainless steel 1/9 GN container h.65 mm PNC 329050
- 3 of Carbon filter PNC 650069
- 1 of Support for containers right side (LP2 - LP3) PNC 650070
- 1 of Support for containers left side (LP2 - LP3) PNC 650071
- 2 of Labyrinth filter with stainless steel grid PNC 650072

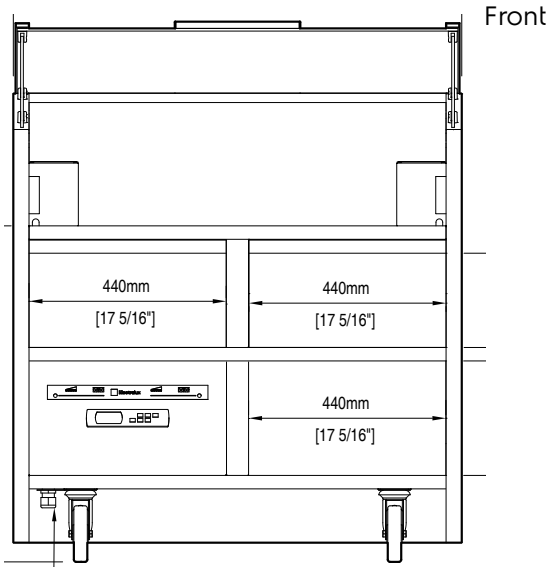
### Optional Accessories

- Stainless steel 1/9 GN container h.65 mm PNC 329050
- Stainless steel 1/9 GN container h.100 mm PNC 329051
- Stainless steel lid for 1/9 GN containers PNC 329052
- Tilting side shelf for Libero Point PNC 650005
- Set of 2 front panels with teak wood finishing (LP 2) PNC 650017
- Set of 2 front panels with Blue finishing (LP 2) PNC 650018
- Set of 2 front panels with Red finishing (LP 2) PNC 650019

APPROVAL: \_\_\_\_\_



- Set of 2 front panels with Green finishing (LP 2) PNC 650020
- Bottom neutral drawer for Libero point PNC 650033
- Carbon filter PNC 650069
- Support for containers right side (LP2 - LP3) PNC 650070
- Support for containers left side (LP2 - LP3) PNC 650071
- Labyrinth filter with stainless steel grid PNC 650072
- EUTECTIC CONTAINER GN 1/1 (H=165MM) PNC 653698
- LID FOR EUTECTIC CONTAINER GN 1/1 PNC 653699
- EUTECTIC CONTAINER GN 1/2 (H=152MM) PNC 653700
- LID FOR EUTECTIC CONTAINER GN 1/2 PNC 653701
- EUTECTIC CONTAINER GN 1/3 (H=155MM) PNC 653702
- LID FOR EUTECTIC CONTAINER GN 1/3 PNC 653703



### Electric

Supply voltage:	400 V/3N ph/50 Hz
351068 (NERLP2G)	
Electrical power, max:	0.4 kW
Plug type:	IEC/EN 60309-1/2
Minimum Circuit Ampacity (MCA):	32A

### Key Information

Aspiration capacity:	
Speed level 8:	370 m <sup>3</sup> /h
Speed level 10:	550 m <sup>3</sup> /h
External dimensions, Width	1000 mm
External dimensions, Height	1204 mm
External dimensions, Depth	780 mm

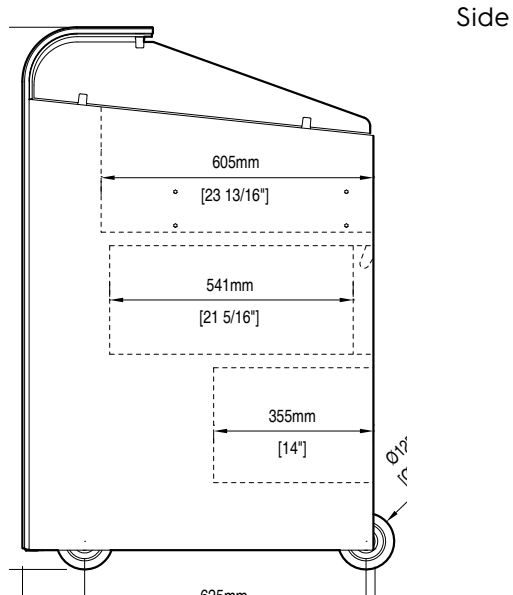
### Suitable Appliances

Induction cooktop, Infrared cooktop, Induction wok and Griddle - Uk version

Plug type	IEC/EN 60309-1/2
-----------	------------------

### Refrigeration Data

Refrigerant type:	R134a
-------------------	-------



EI = Electrical connection  
EO = Electrical Outlet

