



Electrolux

Drop-In Hot Tempered Glass Top 2GN 1/1 with Gantry

ITEM # _____

MODEL # _____

NAME # _____

SIS # _____

AIA # _____



Electrolux

Drop-In
Hot Tempered Glass Top 2GN 1/1 with Gantry



340320 (DI2HGTO)

Drop-in hot tempered glass top with gantry - 2GN

Short Form Specification

Item No. _____

Heated top in tempered glass 8mm thick (110°C max. Contact surface temperature). Smooth surface top for easier cleaning. Dry heating with etched foil heating elements connected to the bottom. Suitable for 2x1/1 GN. Control panel with digital telethermostat, on/off switch and lighting switch. Safety thermostat included.

Gantry in aluminium rectangular solid tube with curved opaque tempered glass shelf 4mm thick. Lighting with 2x200W heating lamps. Gantry height is 400mm from the counter top. Equipped with 1,5mt cord to facilitate installation. Fastom connection between control panel and cord for easier installation.

Main Features

- Digital control panel with:
 - Digital thermostat
 - On-off switch
 - Adjustable temperature setting
 - Temperature display
 - Light switch
- Ensures that food introduced at 70/80°C maintains its core temperature for 1 hour (max. variation of 7°C), without exceeding 90°C.
- Heated top in tempered glass 8 mm thick.
- The heating element is composed of etched foils glued below the tempered glass surface.
- Contact temperature range between 60 °C and 110 °C (at 25°C ambient temperature), with 50% humidity level.
- Smooth surface to facilitate cleaning.
- Gantry in aluminium with curved opaque tempered glass top 4mm thick. Heating and lighting by halogen lamps below the top glass.
- Gantry height is 400mm from the counter top
- Can hold plates 150mm or 200mm in diameter.
- Complies with main international certification bodies and is CE marked.
- Cut-out dimensions for the installation of the unit is 800x 630 x minimum 220 H mm.

Construction

- 304 AISI stainless steel frame.
- Easy to install thanks to the fastom connection (1.5 m long) between the cable and the digital thermostat.
- Developed and produced in ISO 9001 and ISO 14001 certified factory.

Optional Accessories

- Front glass for drop-in with gantry - 2GN PNC
857000

APPROVAL: _____

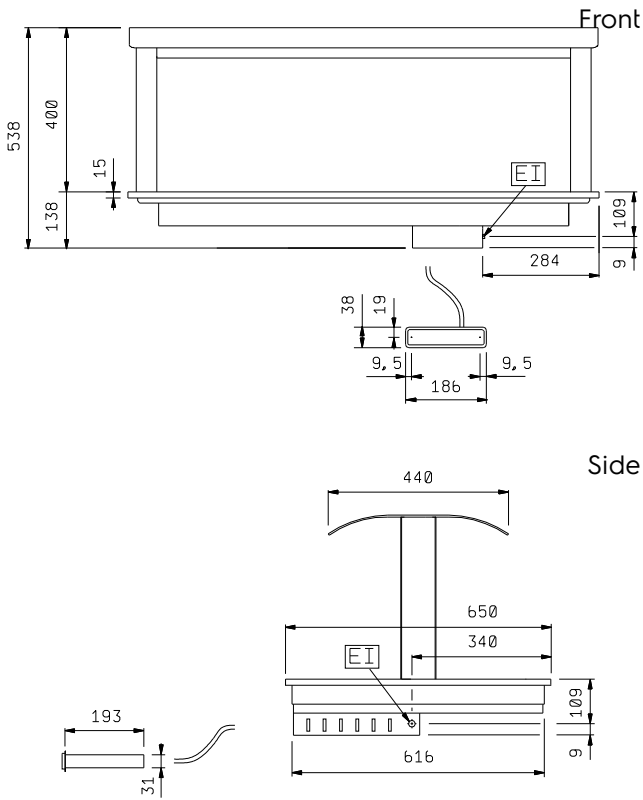


Experience the Excellence
www.professional.electrolux.com

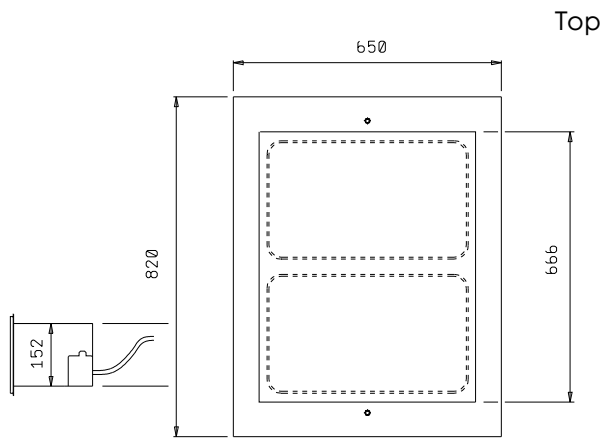


Electrolux

Drop-In Hot Tempered Glass Top 2GN 1/1 with Gantry



- ED = Remote electrical connection
- EI = Electrical inlet (power)
- RI = Refrigerant Inlet



Electric

Supply voltage:

340320 (DI2HGTO) 230 V/1 ph/50 Hz

Electrical power max.:

0.99 kW

Key Information:

External dimensions, Width: 820 mm

External dimensions, Height: 538 mm

External dimensions, Depth: 650 mm

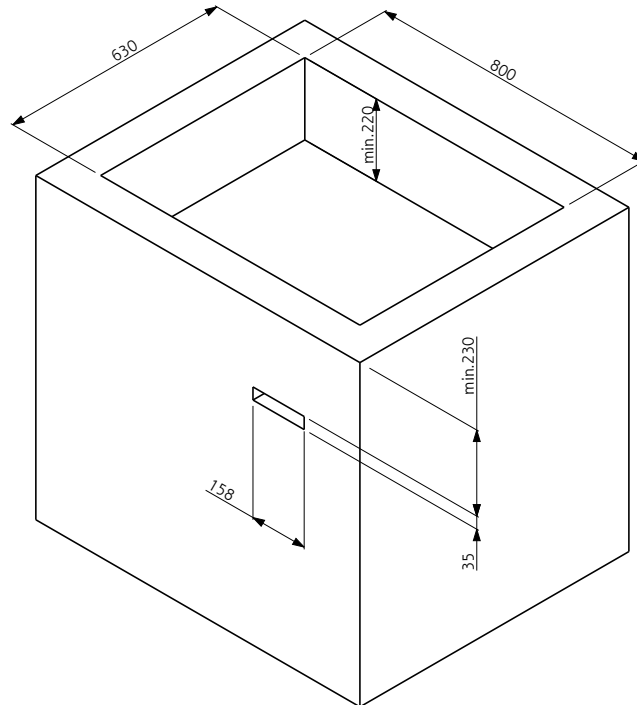
Net weight: 28 kg

Top height: 15 mm

Top temperature: 60/110°C

Plate capacity:

12 x Ø150mm; 6 x Ø200mm



Doc. Nr. IDS-340320

