

Digital Cabinets 2 Glass Door Digital Stainless Steel Refrigerator, 1430lt (+2/+10) - R290 - UK Plug

ITEM # _____

MODEL # _____

NAME # _____

SIS # _____

AIA # _____

727412 (RE4142GRCG) 2-glass door refrigerator
 1430lt, +2/+10°C (R290),
 digital, stainless steel - UK

Short Form Specification

Item No. _____

Two full glass door refrigerator with internal and external structure in 430 AISI stainless steel; external back panel in galvanized steel and bottom panel in anti-corrosive material. Digital control with cabinet temperature display and setting and manual activation of defrost cycle. Fully compliant HACCP digital controls include visible alarms. Optimized back to front forced air flow provides even temperature distribution and fast cooling in any conditions. Fitted with 75 mm-thick cyclopentane insulating foam. Door features lock and door microswitch to switch off the fan when the door is opened. Hidden evaporator to guarantee higher storage capacity and less corrosion problems. Built-in refrigeration unit; ventilated operation; internal back light; automatic defrost and evaporation of defrost water. For ambient temperatures up to 32 °C. CFC and HCFC free. R290a gas in refrigeration circuit.

Supplied with n. 6x2/1GN Rilsan coated grids and n. 6 sets of 2 stainless steel grid runners. Mounted on wheels and equipped with UK plug.

Main Features

- Automatic defrost.
- Large storage area suitable to contain 2/1 GN grids or shelves on anti-tilt runners.
- Performance guaranteed at ambient temperatures of +32°C.
- The operating temperature can be adjusted from +2 to +10° C to suit both meat and dairy storage requirements.
- Cabinet fitted with up to 75 mm thickness of cyclopentane insulation for best insulating performance with 100% environmental protection (thermal conductivity: 0,020 W/ m*K).
- Hidden evaporator thus guaranteeing higher storage capacity and less corrosion problems.
- Automatic evaporation of the defrosting water by hot gas on the top for energy saving.
- Cleaning-free condenser: the structure of the wire frame condenser prevents dust and grease accumulation thus avoiding periodical cleaning operations and reducing energy consumption.
- Internal structure with numerous charging positions available to host grids, ensuring higher net capacity and a greater storage space.
- 60 mm-thick insulation covering the evaporator can be easily removed with a single operation.
- Removable triple-chamber balloon magnetic gasket to improve insulation and reduce energy consumption and ease of cleaning
- Rilsan coated grids for improved protection.
- Two full glass doors.
- Optimized back to front forced air flow provide even temperature distribution and fast cooling in any conditions.
- Digital control with cabinet temperature display and setting, manual activation of defrost cycle and internal light switch. Fully compliant HACCP digital controls include visible alarms.

Construction

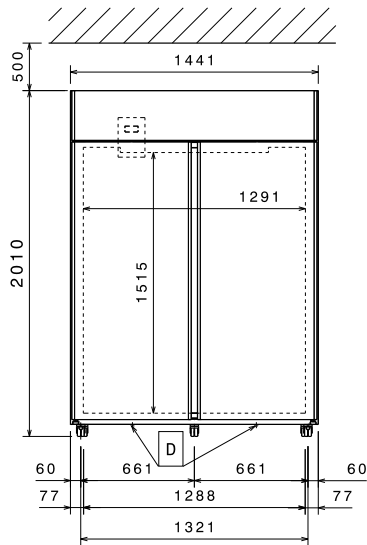
- External back panel in galvanized steel.
- Interior base with rounded corners, pressed from a single sheet.
- Mounted on wheels.
- The rounded internal corners, the easily removable runners and grids allow for ease of cleaning and high hygiene standards.
- CFC and HCFC-free insulation.
- Stainless steel runners and supports easily disassembled.
- R290 refrigerant to reduce green house and ozone depletion effects.
- Door switch stops the fan when door is opened to avoid cold air exiting the cell, thus saving energy.
- Anti-corrosion bottom avoids any damage that may be caused to the cabinet by aggressive detergents employed to clean the floors.
- Doors are self-closing and can be fully opened up to 180°.
- Lockable door.
- Delivered with UK plug.

Included Accessories

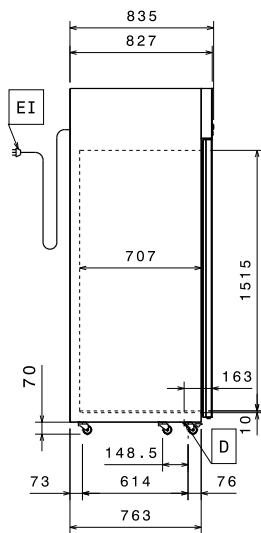
Digital Cabinets
2 Glass Door Digital Stainless Steel Refrigerator, 1430lt
(+2/+10) - R290 - UK Plug

APPROVAL: _____

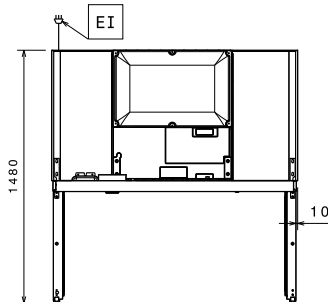
Front



Side



Top



EI = Electrical connection
RI = Refrigerant Inlet
RO = Refrigerant Outlet

Electric

Supply voltage:
727412 (RE4142GRCG) 220-230 V/1 ph/50 Hz
Electrical power, max: 0.31 kW

Key Information

Gross capacity 1430 lt
Net Volume: 1135 lt
Door hinges: 1 Left+1 Right
External dimensions, Width 1441 mm
External dimensions, Height 2010 mm
External dimensions, Depth 835 mm
External dimensions, Depth with Doors Open: 1480 mm
Number and type of doors: 2 Glass
Number and type of grids (included): 6 - GN 2/1
Type of external material: Stainless Steel
Type of internal material: Stainless Steel
Internal panels material: Stainless Steel
Number of positions & pitch: 44; 30 mm

Refrigeration Data

Control type: Digital
Refrigerant type: R290
Refrigeration power: 395 W
Refrigeration power at evaporation temperature: -10 °C
Operating temperature min.: 2 °C
Operating temperature max.: 10 °C
Operating mode: Ventilated

Product Information (EU Regulation 2015/1094)

Energy Class: F
Yearly energy consumption: 2157kWh/year - 5.91kWh/day
Climate class: Normal duty (cl.4)
Energy Efficiency Index (EEI): 87,19

EU energy labelling from 1st July 2016

The European energy labelling scheme for professional refrigerators and freezers is based on requirements setting Minimum Energy Performance standards for commercial refrigeration cabinets sold within the EU. These requirements are designed to drive energy efficiency and environmentally friendly approach for professionals. The European energy labelling scheme will apply to all manufacturers and importers who sell and market products within the EU and it is mandatory across Europe.

Important: all products which consume energy above the minimum level will not be able to be sold within the EU from 1 July 2016.

