

**Digital Cabinets**  
**2 Half Door Digital Stainless Steel**  
**Refrigerator, 670lt (0/+6) - R290 -**  
**UK Plug**

ITEM # \_\_\_\_\_

MODEL # \_\_\_\_\_

NAME # \_\_\_\_\_

SIS # \_\_\_\_\_

AIA # \_\_\_\_\_



**Digital Cabinets**

**2 Half Door Digital Stainless Steel**  
**Refrigerator, 670lt (0/+6) - R290 - UK**  
**Plug**

727407 (RE472HRCG)

2-half door refrigerator 670lt,  
0+6°C, digital, (R290),  
stainless steel - UK

**Short Form Specification**

Item No. \_\_\_\_\_

Two half door refrigerator with internal and external structure in 430 AISI stainless steel; external back panel in galvanized steel and bottom panel in anti-corrosive material. Digital control with cabinet temperature display and setting and manual activation of defrost cycle. Fully compliant HACCP digital controls include visible alarms. Optimized back to front forced air flow provides even temperature distribution and fast cooling in any conditions. Fitted with 75 mm-thick cyclopentane insulating foam. On-site reversible door features lock and door microswitch to switch off the fan when the door is opened. Hidden evaporator to guarantee higher storage capacity and less corrosion problems. Built-in refrigeration unit; ventilated operation; automatic defrost and evaporation of defrost water. Operating temperature: 0/+6 °C. For ambient temperatures up to 43 °C. CFC and HCFC free. R290a gas in refrigeration circuit.

Supplied with n. 3x2/1GN Rilsan coated grids and n. 3 sets of 2 stainless steel grid runners. Mounted on wheels and equipped with UK plug.

**Main Features**

- Right hinged two 1/2 doors.
- Digital control with cabinet temperature display and setting and manual activation of defrost cycle. Fully compliant HACCP digital controls include visible alarms.
- Large storage area suitable to contain 2/1 GN grids or shelves on anti-tilt runners.
- Optimized back to front forced air flow provide even temperature distribution and fast cooling in any conditions.
- Automatic defrost.
- Internal structure with numerous charging positions available to host grids, ensuring higher net capacity and a greater storage space.
- Operating temperatures can be adjusted from 0 to +6 °C to suit both meat and dairy storage requirements.
- Performance guaranteed at ambient temperatures of +43°C.
- Cabinet fitted with up to 75 mm thickness of cyclopentane insulation for best insulating performance with 100% environmental protection (thermal conductivity: 0,020 W/ m\*K).
- Removable triple-chamber balloon magnetic gasket to improve insulation and reduce energy consumption.
- Cleaning-free condenser: the structure of the wire frame condenser prevents dust and grease accumulation thus avoiding periodical cleaning operations and reducing energy consumption.
- Automatic evaporation of the defrosting water by hot gas on the top for energy saving.
- 60 mm-thick insulation covering the evaporator can be easily removed with a single operation.
- Rilsan coated grids for improved protection.
- Hidden evaporator thus guaranteeing higher storage capacity and less corrosion problems.

**Construction**

- Interior base with corners, pressed from a single sheet.
- External back panel in galvanized steel.
- Stainless steel runners and supports easily disassembled.
- Anti-corrosion bottom avoids any damage that may be caused to the cabinet by aggressive detergents employed to clean the floors.
- Lockable door.
- Door switch stops the fan when door is opened to avoid cold air exiting the cell, thus saving energy.
- CFC and HCFC-free insulation.
- Doors are self-closing and can be fully opened up to 180°.
- Mounted on wheels.
- R290 refrigerant to reduce green house and ozone depletion effects.
- The rounded internal corners, the easily removable runners and grids allow for ease of cleaning and high hygiene standards.
- Delivered with UK plug.

**Included Accessories**

- 3 of Grey rilsan grid with 2 runners, PNC 881020 GN 2/1

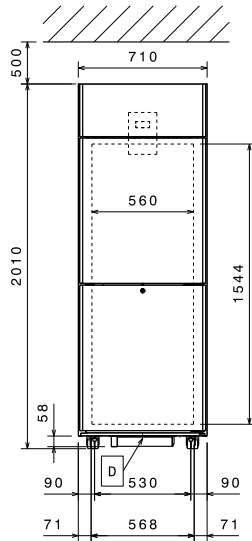
APPROVAL: \_\_\_\_\_

- 1 of 4 small swivelling wheels, 2 with brake, diam 50 mm, not for remote models PNC 881035

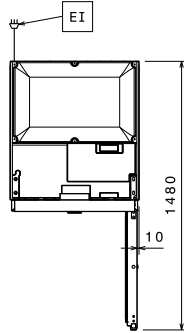
### Optional Accessories

- 2 stainless steel runners for refrigerated cabinets - (Marine) PNC 880242
- 2 stainless steel runners for refrigerated cabinets - (Marine) PNC 880248
- Kit integrated HACCP for digital refrigerators (IR33) PNC 880252
- Plastic container with false bottom, GN 1/1 PNC 880705
- 4 swivelling wheels (2 with brake) for refrigerators, diam 125 mm, NOT for glass door and remote models PNC 881002
- Grey rilsan grid, GN 2/1 PNC 881004
- AISI 304 stainless steel grid, GN 2/1 PNC 881016
- AISI 304 stainless steel grid with 2 runners, GN 2/1 PNC 881018
- Meat rail for 670/1430lt refrigerators with 4 hooks PNC 881019
- Grey rilsan grid with 2 runners, GN 2/1 PNC 881020
- Set of 2 stainless steel runners for 670/1430lt refrigerators and freezers PNC 881021
- 4 small swivelling wheels, 2 with brake, diam 50 mm, not for remote models PNC 881035
- Perforated shelf, GN 2/1 PNC 881042
- Rilsan steel wire basket h=150mm, GN 1/1 PNC 881043
- Printer for HACCP basic version (for cabinets and counters with digital control) PNC 881457

**Front**

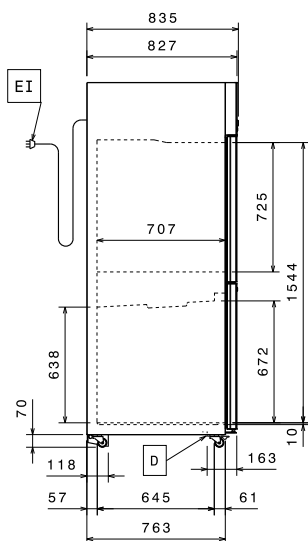


**Top**



- EI = Electrical connection
- RI = Refrigerant Inlet
- RO = Refrigerant Outlet

**Side**



**Electric**

Supply voltage:  
727407 (RE472HRCG) 230 V/1 ph/50 Hz  
Electrical power: 0.2 kW

**Key Information**

Gross capacity 670 lt  
Net Volume: 497 lt  
Door hinges: 2 Right  
External dimensions, Height 2010 mm  
External dimensions, Width 710 mm  
External dimensions, Depth 837 mm  
External dimensions, Depth with Doors Open: 1480 mm  
Number and type of doors: 2x1/2 Full  
Number and type of grids (included): 3 - GN 2/1  
Type of external material: Stainless Steel  
Type of internal material: Stainless Steel  
Internal panels material: Stainless Steel  
Number of positions & pitch: 40; 30 mm

**Refrigeration Data**

Control type: Digital  
Refrigerant type: R290  
Refrigeration power: 322 W  
Refrigeration power at evaporation temperature: -10 °C  
Refrigerant weight: 70 g  
Operating temperature min.: 0 °C  
Operating temperature max.: 6 °C  
Operating mode: Ventilated

**Product Information (EU Regulation 2015/1094)**

Energy Class: D  
Yearly energy consumption: 760kWh/year  
Climate class: Heavy Duty (5)  
Energy Efficiency Index (EEI): 53,31