

## Digital Cabinets 2 Door Dual Digital Refrigerator, 1430lt (0/-22) - R290 - UK Plug

ITEM # \_\_\_\_\_

MODEL # \_\_\_\_\_

NAME # \_\_\_\_\_

SIS # \_\_\_\_\_

AIA # \_\_\_\_\_



727404 (REX14FDDCG)

2-door, dual temperature refrigerator 1430lt, 0+6°C / -22-15°C, digital, (R290), AISI 304 - UK

### Short Form Specification

Item No. \_\_\_\_\_

Two full door refrigerator with internal and external structure in 304 AISI stainless steel; external back panel in galvanized steel and bottom panel in anti-corrosive material. Digital control with cabinet temperature display and setting and manual activation of defrost cycle. Fully compliant HACCP digital controls include visible alarms. Optimized back to front forced air flow provides even temperature distribution and fast cooling in any conditions. Fitted with 75 mm-thick cyclopentane insulating foam. Door features lock and door microswitch to switch off the fan when the door is opened. Hidden evaporator to guarantee higher storage capacity and less corrosion problems. Built-in refrigeration unit; ventilated operation; automatic defrost and evaporation of defrost water. Dual operating temperature: 0/+6 °C -15/-22 °C. For ambient temperatures up to 43 °C. CFC and HCFC free. R290a gas in refrigeration circuit.

Supplied with n. 6x2/1GN Rilsan coated grids and n. 6 sets of 2 stainless steel grid runners. Mounted on wheels and equipped with UK Plug.

### Main Features

- Two full doors.
- Digital control with cabinet temperature display and setting and manual activation of defrost cycle. Fully compliant HACCP digital controls include visible alarms.
- Large storage area suitable to contain 2/1 GN grids or shelves on anti-tilt runners.
- Optimized back to front forced air flow provide even temperature distribution and fast cooling in any conditions.
- Automatic defrost.
- Internal structure with numerous charging positions available to host grids, ensuring higher net capacity and a greater storage space.
- Dual temperature type: 0 +6 °C/-15 -22 °C.
- Cabinet fitted with up to 75 mm thickness of cyclopentane insulation for best insulating performance with 100% environmental protection (thermal conductivity: 0,020 W/ m²K).
- Removable triple-chamber balloon magnetic gasket to improve insulation and reduce energy consumption and ease of cleaning
- Cleaning-free condenser: the structure of the wire frame condenser prevents dust and grease accumulation thus avoiding periodical cleaning operations and reducing energy consumption.
- Automatic evaporation of the defrosting water by hot gas on the top for energy saving.
- 60 mm-thick insulation covering the evaporator can be easily removed with a single operation.
- Rilsan coated grids for improved protection.
- Hidden evaporator thus guaranteeing higher storage capacity and less corrosion problems.
- Tropicalized unit (43°C ambient temperature).
- This appliance is intended for use in ambient temperatures up to 40°C.

### Construction

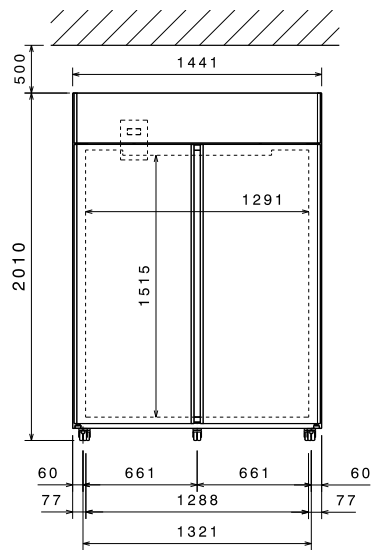
- Interior base with rounded corners, pressed from a single sheet.
- Stainless steel runners and supports easily disassembled.
- Anti-corrosion bottom avoids any damage that may be caused to the cabinet by aggressive detergents employed to clean the floors.
- Easy access to the main components for maintenance.
- Lockable door.
- Door switch stops the fan when door is opened to avoid cold air exiting the cell, thus saving energy.
- CFC and HCFC-free insulation.
- Doors are self-closing and can be fully opened up to 180°.
- Mounted on wheels.
- R290 refrigerant to reduce green house and ozone depletion effects.
- The rounded internal corners, the easily removable runners and grids allow for ease of cleaning and high hygiene standards.
- Delivered with UK plug.

### Included Accessories

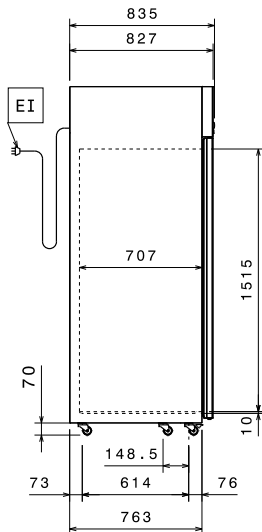
APPROVAL: \_\_\_\_\_

## Digital Cabinets 2 Door Dual Digital Refrigerator, 1430lt (0/-22) - R290 - UK Plug

**Front**

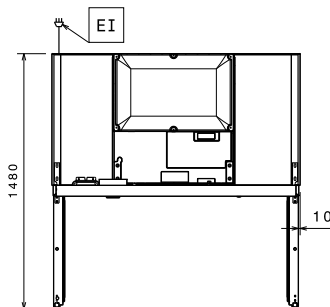


**Side**



EI = Electrical connection  
RI = Refrigerant Inlet  
RO = Refrigerant Outlet

**Top**



### Electric

Supply voltage:  
727404 (REX14FDDCG) 220-230 V/1 ph/50 Hz  
Electrical power, max: 0.705 kW

### Key Information

Gross capacity 1430 lt  
Net Volume:  
Door hinges: 1 Left+1 Right  
External dimensions, Width 1441 mm  
External dimensions, Height 2010 mm  
External dimensions, Depth 835 mm  
External dimensions, Depth with Doors Open: 1480 mm  
Number and type of doors: 2 Full  
Number and type of grids (included): 6 - GN 2/1  
Type of external material: 304 AISI  
Type of internal material: 304 AISI  
Internal panels material: 304 AISI  
Number of positions & pitch: 44; 30 mm

### Refrigeration Data

Control type: Digital  
Refrigerant type: R290  
Second Unit - Refrigerant Type: R290  
Refrigeration power at evaporation temperature: -10 °C  
Operating temperature - First Unit (min-max): 0°C / 6°C  
Operating temperature - Second Unit (min-max): -15°C / -22°C  
Operating mode: Ventilated

### Product Information (EU Regulation 2015/1094)

Energy Class:  
Yearly energy consumption:  
Climate class:  
Energy Efficiency Index (EEI):