

**Digital Cabinets**  
**2 Glass Door Digital Refrigerator,**  
**1430lt (+2/+10) - UK Plug**

ITEM # \_\_\_\_\_

MODEL # \_\_\_\_\_

NAME # \_\_\_\_\_

SIS # \_\_\_\_\_

AIA # \_\_\_\_\_



727364 (REX142GRG)

2-glass door refrigerator  
1430lt, +2+10°C, digital, AISI  
304 - UK

**Short Form Specification**

Item No. \_\_\_\_\_

Two full glass door refrigerator with internal and external structure in 304 AISI stainless steel; external back panel in galvanized steel and bottom panel in anti-corrosive material. Digital control with cabinet temperature display and setting and manual activation of defrost cycle. Fully compliant HACCP digital controls include visible alarms. Optimized back to front forced air flow provides even temperature distribution and fast cooling in any conditions. Fitted with 75 mm-thick cyclopentane insulating foam. Door features lock and door microswitch to switch off the fan when the door is opened. Hidden evaporator to guarantee higher storage capacity and less corrosion problems. Built-in refrigeration unit; ventilated operation; internal back light; automatic defrost and evaporation of defrost water. For ambient temperatures up to 32 °C. CFC and HCFC free. R134a gas in refrigeration circuit.

Supplied with n. 6x2/1GN Rilsan coated grids and n. 6 sets of 2 stainless steel grid runners. Mounted on wheels and equipped with UK plug.

**Main Features**

- Two full glass doors.
- Digital control with cabinet temperature display and setting, manual activation of defrost cycle and internal light switch. Fully compliant HACCP digital controls include visible alarms.
- Large storage area suitable to contain 2/1 GN grids or shelves on anti-tilt runners.
- Optimized back to front forced air flow provide even temperature distribution and fast cooling in any conditions.
- Automatic defrost.
- Internal structure with numerous charging positions available to host grids, ensuring higher net capacity and a greater storage space.
- The operating temperature can be adjusted from +2 to +10° C to suit both meat and dairy storage requirements.
- Performance guaranteed at ambient temperatures of +32°C.
- Cabinet fitted with up to 75 mm thickness of cyclopentane insulation for best insulating performance with 100% environmental protection (thermal conductivity: 0,020 W/ m\*K).
- Removable triple-chamber balloon magnetic gasket to improve insulation and reduce energy consumption and ease of cleaning
- Cleaning-free condenser: the structure of the wire frame condenser prevents dust and grease accumulation thus avoiding periodical cleaning operations and reducing energy consumption.
- Automatic evaporation of the defrosting water by hot gas on the top for energy saving.
- 60 mm-thick insulation covering the evaporator can be easily removed with a single operation.
- Rilsan coated grids for improved protection.
- Hidden evaporator thus guaranteeing higher storage capacity and less corrosion problems.

**Construction**

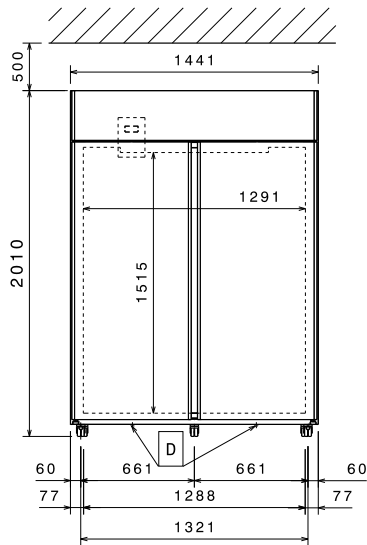
- Interior base with rounded corners, pressed from a single sheet.
- Stainless steel runners and supports easily disassembled.
- Anti-corrosion bottom avoids any damage that may be caused to the cabinet by aggressive detergents employed to clean the floors.
- Easy access to the main components for maintenance.
- Lockable door.
- Door switch stops the fan when door is opened to avoid cold air exiting the cell, thus saving energy.
- Refrigerant type: R134a.
- CFC and HCFC-free insulation.
- Doors are self-closing and can be fully opened up to 180°.
- Mounted on wheels.
- The rounded internal corners, the easily removable runners and grids allow for ease of cleaning and high hygiene standards.
- Delivered with UK plug.

**Included Accessories**

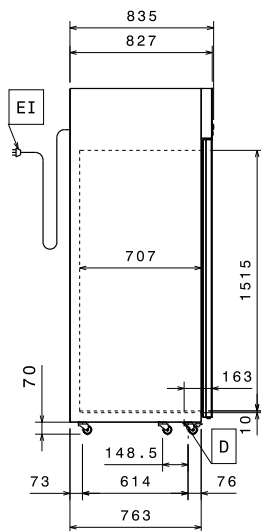
APPROVAL: \_\_\_\_\_

## Digital Cabinets 2 Glass Door Digital Refrigerator, 1430lt (+2/+10) - UK Plug

**Front**

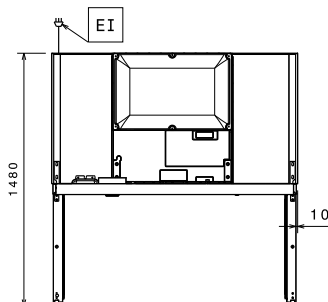


**Side**



EI = Electrical connection  
RI = Refrigerant Inlet  
RO = Refrigerant Outlet

**Top**



### Electric

Supply voltage:

727364 (REX142GRG) 220-230 V/1 ph/50 Hz

Electrical power, max:

0.34 kW

### Key Information

Gross capacity	1430 lt
Net Volume:	1037 lt
Door hinges:	1 Left+1 Right
External dimensions, Width	1441 mm
External dimensions, Height	2010 mm
External dimensions, Depth	835 mm
External dimensions, Depth with Doors Open:	1480 mm
Number and type of doors:	2 Glass
Number and type of grids (included):	6 - GN 2/1
Type of external material:	304 AISI
Type of internal material:	304 AISI
Internal panels material:	304 AISI
Number of positions & pitch:	44; 30 mm

### Refrigeration Data

Control type:	Digital
Refrigerant type:	R134a
Refrigeration power:	398 W
Refrigeration power at evaporation temperature:	-10 °C
Operating temperature min.:	2 °C
Operating temperature max.:	10 °C
Operating mode	Ventilated

### Product Information (EU Regulation 2015/1094)

Energy Class:	g
Yearly energy consumption:	2373kWh/year - 6.5kWh/day
Climate class:	Normal duty (cl.4)
Energy Efficiency Index (EEI):	102,60

Digital Cabinets  
2 Glass Door Digital Refrigerator, 1430lt (+2/+10) - UK Plug

The company reserves the right to make modifications to the products without prior notice. All information correct at time of printing.

2018.06.14

## Digital Cabinets 2 Glass Door Digital Refrigerator, 1430lt (+2/+10) - UK Plug

### EU energy labelling from 1st July 2016

The European energy labelling scheme for professional refrigerators and freezers is based on requirements setting Minimum Energy Performance standards for commercial refrigeration cabinets sold within the EU. These requirements are designed to drive energy efficiency and environmentally friendly approach for professionals. The European energy labelling scheme will apply to all manufacturers and importers who sell and market products within the EU and it is mandatory across Europe.

**Important:** all products which consume energy above the minimum level will not be able to be sold within the EU from 1 July 2016.

