

Digital Cabinets
2 Glass Door Digital Stainless Steel
Refrigerator, 1430lt (+2/+10) - UK
Plug

ITEM # _____

MODEL # _____

NAME # _____

SIS # _____

AIA # _____



Digital Cabinets

2 Glass Door Digital Stainless Steel
Refrigerator, 1430lt (+2/+10) - UK Plug

727376 (RE4142GRG)

2-glass door refrigerator
1430lt, +2/+10°C, digital,
stainless steel - UK

Short Form Specification

Item No. _____

Two full glass door refrigerator with internal and external structure in 430 AISI stainless steel; external back panel in galvanized steel and bottom panel in anti-corrosive material. Digital control with cabinet temperature display and setting and manual activation of defrost cycle. Fully compliant HACCP digital controls include visible alarms. Optimized back to front forced air flow provides even temperature distribution and fast cooling in any conditions. Fitted with 75 mm-thick cyclopentane insulating foam. Door features lock and door microswitch to switch off the fan when the door is opened. Hidden evaporator to guarantee higher storage capacity and less corrosion problems. Built-in refrigeration unit; ventilated operation; internal back light; automatic defrost and evaporation of defrost water. For ambient temperatures up to 32 °C. CFC and HCFC free. R134a gas in refrigeration circuit.

Supplied with n. 6x2/1GN Rilsan coated grids and n. 6 sets of 2 stainless steel grid runners. Mounted on wheels and equipped with UK plug.

Main Features

- Automatic defrost.
- Large storage area suitable to contain 2/1 GN grids or shelves on anti-tilt runners.
- Performance guaranteed at ambient temperatures of +32 °C.
- The operating temperature can be adjusted from +2 to +10° C to suit both meat and dairy storage requirements.
- Cabinet fitted with up to 75 mm thickness of cyclopentane insulation for best insulating performance with 100% environmental protection (thermal conductivity: 0,020 W/ m*K).
- Hidden evaporator thus guaranteeing higher storage capacity and less corrosion problems.
- Automatic evaporation of the defrosting water by hot gas on the top for energy saving.
- Cleaning-free condenser: the structure of the wire frame condenser prevents dust and grease accumulation thus avoiding periodical cleaning operations and reducing energy consumption.
- Internal structure with numerous charging positions available to host grids, ensuring higher net capacity and a greater storage space.
- 60 mm-thick insulation covering the evaporator can be easily removed with a single operation.
- Removable triple-chamber balloon magnetic gasket to improve insulation and reduce energy consumption and ease of cleaning
- Rilsan coated grids for improved protection.
- Two full glass doors.
- Optimized back to front forced air flow provide even temperature distribution and fast cooling in any conditions.
- Digital control with cabinet temperature display and setting, manual activation of defrost cycle and internal light switch. Fully compliant HACCP digital controls include visible alarms.

Construction

- External back panel in galvanized steel.
- Interior base with rounded corners, pressed from a single sheet.
- Mounted on wheels.
- Refrigerant type: R134a.
- The rounded internal corners, the easily removable runners and grids allow for ease of cleaning and high hygiene standards.
- Stainless steel runners and supports easily disassembled.
- Door switch stops the fan when door is opened to avoid cold air exiting the cell, thus saving energy.
- Anti-corrosion bottom avoids any damage that may be caused to the cabinet by aggressive detergents employed to clean the floors.
- Doors are self-closing and can be fully opened up to 180°.
- Lockable door.
- Delivered with UK plug.

Included Accessories

- 6 of Grey rilsan grid with 2 runners, PNC 881020 GN 2/1

APPROVAL: _____

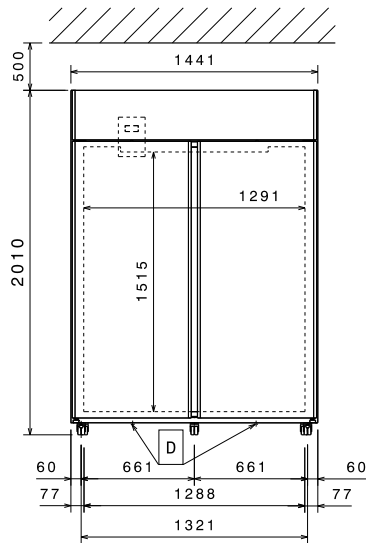
- 1 of 4 small swivelling wheels, 2 with brake, diam 50 mm, not for remote models PNC 881035

Optional Accessories

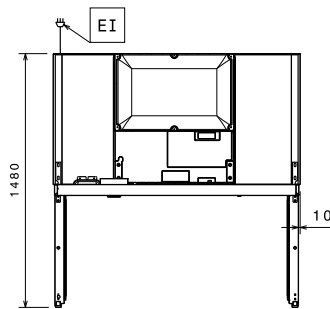
- 2 stainless steel runners for refrigerated cabinets - (Marine) PNC 880242
- 2 stainless steel runners for refrigerated cabinets - (Marine) PNC 880248
- Kit integrated HACCP for digital refrigerators (IR33) PNC 880252
- Kit 20 pair runners and trays to fit pastry trays (400x600mm) PNC 880333
- Plastic container with false bottom, GN 1/1 PNC 880705
- Grey rilsan grid, GN 2/1 PNC 881004
- AISI 304 stainless steel grid, GN 2/1 PNC 881016
- AISI 304 stainless steel grid with 2 runners, GN 2/1 PNC 881018
- Meat rail for 670/1430lt refrigerators with 4 hooks PNC 881019
- Grey rilsan grid with 2 runners, GN 2/1 PNC 881020
- Pedal opening for 1430lt refrigerators PNC 881033
- PVC container with lid and 2 runners, GN 2/1 PNC 881039
- Perforated shelf, GN 2/1 PNC 881042
- Rilsan steel wire basket h=150mm, GN 1/1 PNC 881043
- Grey rilsan basket+2 runners h=150mm, GN 2/1 PNC 881047
- Printer for HACCP basic version (for cabinets and counters with digital control) PNC 881457

Digital Cabinets 2 Glass Door Digital Stainless Steel Refrigerator, 1430lt (+2/+10) - UK Plug

Front

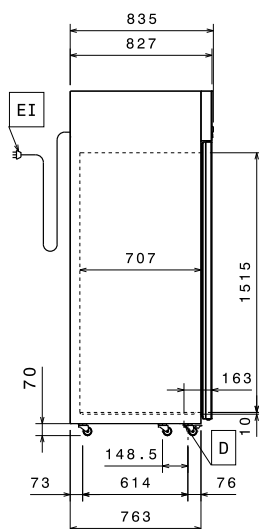


Top



EI = Electrical connection
RI = Refrigerant Inlet
RO = Refrigerant Outlet

Side



Electric

Supply voltage:
727376 (RE4142GRG) 220-230 V/1 ph/50 Hz
Electrical power, max: 0.34 kW

Key Information

Gross capacity 1430 lt
Net Volume: 1037 lt
Door hinges: 1 Left+1 Right
External dimensions, Height 2010 mm
External dimensions, Width 1441 mm
External dimensions, Depth 835 mm
External dimensions, Depth with Doors Open: 1480 mm
Number and type of doors: 2 Glass
Number and type of grids (included): 6 - GN 2/1
Type of external material: Stainless Steel
Type of internal material: Stainless Steel
Internal panels material: Stainless Steel
Number of positions & pitch: 44; 30 mm

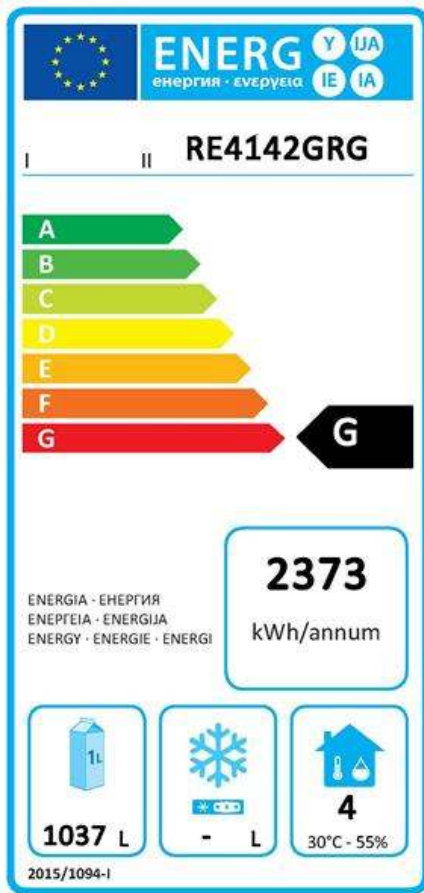
Refrigeration Data

Control type: Digital
Refrigerant type: R134a
Refrigeration power: 398 W
Refrigeration power at evaporation temperature: -10 °C
Operating temperature min.: 2 °C
Operating temperature max.: 10 °C
Operating mode: Ventilated

Product Information (EU Regulation 2015/1094)

Energy Class: g
Yearly energy consumption: 2373kWh/year
Climate class: Normal duty (cl.4)
Energy Efficiency Index (EEI): 102,60

EU energy labelling from 1st July 2016



The European energy labelling scheme for professional refrigerators and freezers is based on requirements setting Minimum Energy Performance standards for commercial refrigeration cabinets sold within the EU. These requirements are designed to drive energy efficiency and environmentally friendly approach for professionals. The European energy labelling scheme will apply to all manufacturers and importers who sell and market products within the EU and it is mandatory across Europe.

Important: all products which consume energy above the minimum level will not be able to be sold within the EU from 1 July 2016.