

# 160 Line 1 Glass Door Undercounter Refrigerator (+2/+10)

ITEM # \_\_\_\_\_

MODEL # \_\_\_\_\_

NAME # \_\_\_\_\_

SIS # \_\_\_\_\_

AIA # \_\_\_\_\_



- 727047 (RUCR16W1V)** 1-glass door undercounter refrigerator 160lt, +2/+10°C, prepainted white
- 727031 (RUCR16G1V)** 1-glass door undercounter refrigerator 160lt, +2/+10°C, prepainted grey

## Short Form Specification

**Item No.** \_\_\_\_\_

White painted reversible glass door with lock. Top in white ABS. White painted external sides. Interior in white High Impact Polystyrene with 30mm insulation. Inner cell with rounded corners. Door with removable "balloon" gasket. Built-in refrigeration unit; ventilated operating mode; automatic defrost; automatic evaporation of defrost water; electro-mechanical control; internal light. Temperature range +2°/+10°C at 32 °C ambient temperature. CFC and HCFC free insulation. R134a gas in refrigeration circuit. Gas in foam: Cyclopentane. IP23 protection. Supplied with n.3 rilsan grids.

## Main Features

- Internal light and lockable door.
- Suitable for use in ambient temperatures of up to 32 °C.
- Refrigerators models have operating temperatures that can be adjusted from +2 to +10 °C to suit both meat and dairy storage requirements.
- Very quiet operation: noise level less than 45 dB (A).
- Automatic defrost and automatic evaporation of defrost water.
- Shelf runners are thermoformed and are incorporated in the internal structure to be easily cleanable.
- Compact cooling unit easily accesible from the rear of the appliance.
- Model requires only 1 phase 230V supply and can be plugged straight into an existing power socket.

## Construction

- Interior cell is completely in white High Impact Polystyrene and has no joints to eliminate dirt traps.
- The rounded internal corners, the easily removable grids allow for ease of cleaning and high hygiene standards.
- 30 mm thick insulation with cyclopentane injection for long-term insulation and energy saving.
- CFC and HCFC-free insulation.
- Refrigerant type: R134a.
- IP23 protection index.
- Developed and produced in ISO 9001 and ISO 14001 certified factory.
- Reversible door.
- Built-in refrigeration unit.

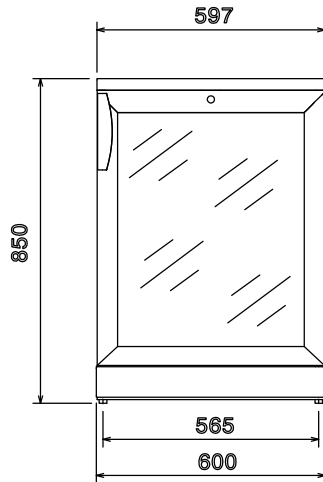
## Optional Accessories

- Rear wheel kit for 160lt for freestanding refrigerator and freezer PNC 880143
- STACKING KIT FOR 160L UNDERC.REFR.-GREY (only for 727031) PNC 880146
- STACKING KIT FOR 160L UNDERC.REFR.-WHITE (only for 727047) PNC 880148
- SET 3 GRIDS-160L UNDERC.REF.-WHITE/GLASS (only for 727047) PNC 880150
- SET 3 GRIDS FOR 160L UNDERC.REFRIG.-GREY (only for 727031) PNC 880151
- BOTTLE HOLDER FOR 3 BOTTLES-160L REF. PNC 880159

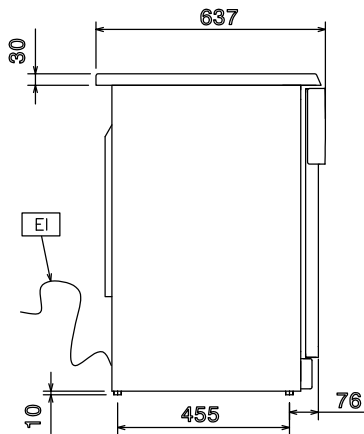
APPROVAL: \_\_\_\_\_

# 160 Line 1 Glass Door Undercounter Refrigerator (+2/+10)

**Front**

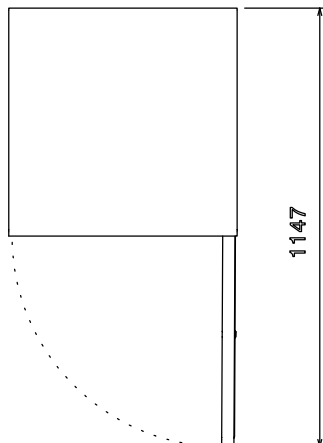


**Side**



**EI** = Electrical connection  
**RI** = Refrigerant Inlet  
**RO** = Refrigerant Outlet

**Top**



## Electric

Supply voltage:

727047 (RUCR16W1V)	220-240 V/1 ph/50 Hz
727031 (RUCR16G1V)	220-240 V/1 ph/50 Hz

Electrical power, max: 0.15 kW

## Key Information

Gross capacity	165 lt
Net Volume:	87 lt
N° of doors:	1
Door hinges:	Right Side
External dimensions, Width	600 mm
External dimensions, Height	850 mm
External dimensions, Depth	637 mm
Noise level:	47 dBA
Height adjustment:	0/10 mm
Number and type of grids (included):	3 -
Type of internal material:	High Impact White Polystyrene
External side panels:	
727047 (RUCR16W1V)	Prepainted white
727031 (RUCR16G1V)	Prepainted Steel
External top panels:	
727047 (RUCR16W1V)	White ABS
727031 (RUCR16G1V)	Grey ABS
External door material:	Glass
Internal panels material:	High Impact White Polystyrene
Internal side panels material	High Impact White Polystyrene

## Built-in Compressor and Refrigeration Unit

## Refrigeration Data

Control type:	Mechanical
Refrigerant type:	R134a
Refrigeration power:	163 W
Refrigeration power at evaporation temperature:	-12 °C
Refrigerant weight:	65 g
Operating temperature min.:	2 °C
Operating temperature max.:	10 °C
Operating mode	Ventilated
Cooling unit	Built-In
Defrost type	
727047 (RUCR16W1V)	Automatic

## Product Information (EU Regulation 2015/1094)

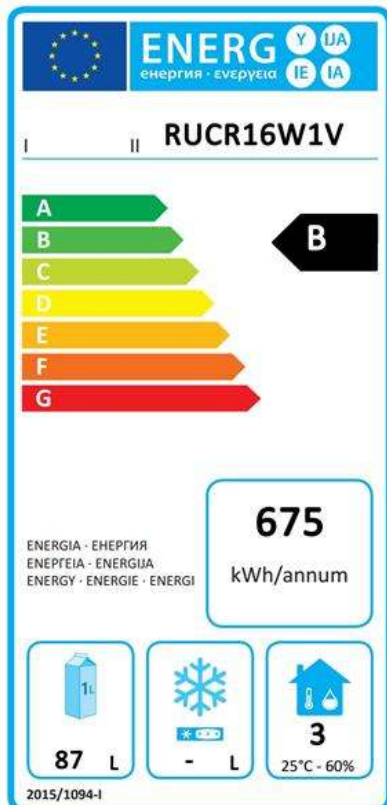
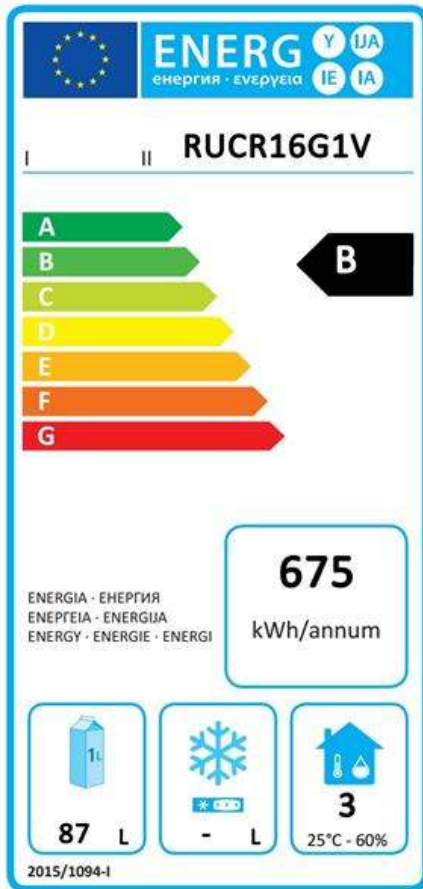
Energy Class:	B
Yearly energy consumption:	675kWh/year - 1.85kWh/day
Climate class:	Light Duty (cl.3)
Energy Efficiency Index (EEI):	33,55

160 Line  
1 Glass Door Undercounter Refrigerator (+2/+10)

The company reserves the right to make modifications to the products without prior notice. All information correct at time of printing.

2018.06.14





## **EU energy labelling from 1st July 2016**

*The European energy labelling scheme for professional refrigerators and freezers is based on requirements setting Minimum Energy Performance standards for commercial refrigeration cabinets sold within the EU. These requirements are designed to drive energy efficiency and environmentally friendly approach for professionals. The European energy labelling scheme will apply to all manufacturers and importers who sell and market products within the EU and it is mandatory across Europe.*

Important: all products which consume energy above the minimum level will not be able to be sold within the EU from 1 July 2016.

## **EU energy labelling from 1st July 2016**

*The European energy labelling scheme for professional refrigerators and freezers is based on requirements setting Minimum Energy Performance standards for commercial refrigeration cabinets sold within the EU. These requirements are designed to drive energy efficiency and environmentally friendly approach for professionals. The European energy labelling scheme will apply to all manufacturers and importers who sell and market products within the EU and it is mandatory across Europe.*

Important: all products which consume energy above the minimum level will not be able to be sold within the EU from 1 July 2016.