

## 160 Line 1 Door Undercounter Refrigerator (+2/+10) - UK Plug

ITEM # \_\_\_\_\_

MODEL # \_\_\_\_\_

NAME # \_\_\_\_\_

SIS # \_\_\_\_\_

AIA # \_\_\_\_\_



727048 (RUCR16X1G)

1-door undercounter refrigerator 160lt, +2°/+10°C, prepainted grey with stainless steel door - UK

727049 (RUCR16W1G)

1-door undercounter refrigerator 160lt, +2°/+10°C, prepainted white - UK

### Short Form Specification

**Item No.** \_\_\_\_\_

430 AISI stainless steel reversible door with lock. Top in grey ABS. Grey painted external sides. Interior in white High Impact Polystyrene with 30mm insulation. Inner cell with rounded corners. Door with removable "balloon" gasket. Built-in refrigeration unit; ventilated operating mode; automatic defrost; automatic evaporation of defrost water; electro-mechanical control; external digital temperature display; internal light. Temperature range +2°/+10°C at 43 °C ambient temperature. CFC and HCFC free insulation. R134a gas in refrigeration circuit. Gas in foam: Cyclopentane. IP23 protection. Supplied with n.3 rilsan grids. UK plug.

### Main Features

- Internal light and lockable door.
- Refrigerators models have operating temperatures that can be adjusted from +2 to +10 °C to suit both meat and dairy storage requirements.
- Very quiet operation: noise level less than 45 dB (A).
- Temperature display.
- Automatic defrost and automatic evaporation of defrost water.
- Shelf runners are thermoformed and are incorporated in the internal structure to be easily cleanable.
- Compact cooling unit easily accesible from the rear of the appliance.
- Model requires only 1 phase 230V supply and can be plugged straight into an existing power socket.

### Construction

- Interior cell is completely in white High Impact Polystyrene and has no joints to eliminate dirt traps.
- The rounded internal corners, the easily removable grids allow for ease of cleaning and high hygiene standards.
- 30 mm thick insulation with cyclopentane injection for long-term insulation and energy saving.
- CFC and HCFC-free insulation.
- Refrigerant type: R134a.
- IP23 protection index.
- Developed and produced in ISO 9001 and ISO 14001 certified factory.
- Reversible door.
- Delivered with UK plug.
- Built-in refrigeration unit.

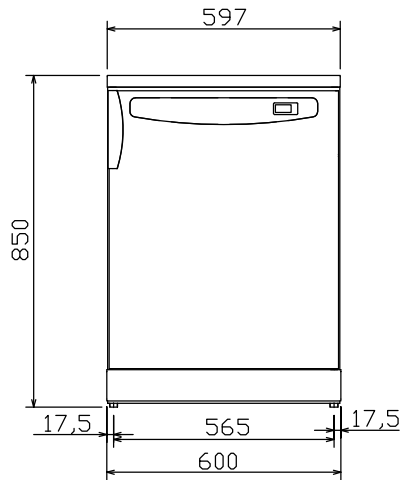
### Optional Accessories

- Rear wheel kit for 160lt for freestanding refrigerator and freezer PNC 880143
- STACKING KIT FOR 160L UNDERC.REFR.- GREY (only for 727048) PNC 880146
- STACKING KIT FOR 160L UNDERC.REFR.- WHITE (only for 727049) PNC 880148
- SET 3 GRIDS-160L UNDERC.REF.-WHITE/ GLASS (only for 727049) PNC 880150
- SET 3 GRIDS FOR 160L UNDERC. REFRIG.-GREY (only for 727048) PNC 880151
- BOTTLE HOLDER FOR 3 BOTTLES-160L REFR. PNC 880159

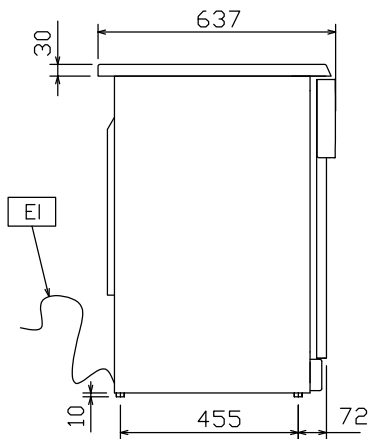
APPROVAL: \_\_\_\_\_

# 160 Line 1 Door Undercounter Refrigerator (+2/+10) - UK Plug

**Front**

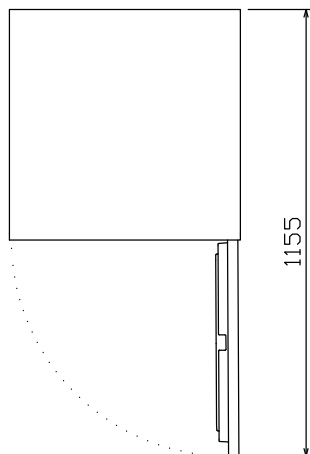


**Side**



**EI** = Electrical connection  
**RI** = Refrigerant Inlet  
**RO** = Refrigerant Outlet

**Top**



## Electric

**Supply voltage:**

727048 (RUCR16X1G)	220-240 V/1 ph/50 Hz
727049 (RUCR16W1G)	220-240 V/1 ph/50 Hz

**Electrical power, max:** 0.13 kW

## Key Information

<b>Gross capacity</b>	165 lt
<b>Net Volume:</b>	87 lt
<b>N° of doors:</b>	1
<b>Door hinges:</b>	Right Side
<b>External dimensions, Width</b>	600 mm
<b>External dimensions, Height</b>	850 mm
<b>External dimensions, Depth</b>	637 mm
<b>Noise level:</b>	47 dBA
<b>Height adjustment:</b>	0/10 mm
<b>Number and type of grids (included):</b>	3 -
<b>Type of internal material:</b>	High Impact White Polystyrene
<b>External side panels:</b>	
727048 (RUCR16X1G)	Prepainted Steel
727049 (RUCR16W1G)	Prepainted white
<b>External top panels:</b>	
727048 (RUCR16X1G)	Grey ABS
727049 (RUCR16W1G)	White ABS
<b>External door material:</b>	
727048 (RUCR16X1G)	Stainless Steel
727049 (RUCR16W1G)	Prepainted white
<b>Internal panels material:</b>	High Impact White Polystyrene
<b>Internal side panels material</b>	High Impact White Polystyrene

## Built-in Compressor and Refrigeration Unit

## Refrigeration Data

<b>Control type:</b>	Mechanical
<b>Refrigerant type:</b>	R134a
<b>Refrigeration power:</b>	163 W
<b>Refrigeration power at evaporation temperature:</b>	-12 °C
<b>Refrigerant weight:</b>	65 g
<b>Operating temperature min.:</b>	2 °C
<b>Operating temperature max.:</b>	10 °C
<b>Operating mode</b>	Ventilated
<b>Cooling unit</b>	Built-In
<b>Defrost type</b>	Automatic

## Product Information (EU Regulation 2015/1094)

<b>Energy Class:</b>	B
<b>Yearly energy consumption:</b>	607kWh/year - 1.66kWh/day
<b>Climate class:</b>	Normal duty (cl.4)
<b>Energy Efficiency Index (EEL):</b>	30,18

160 Line  
1 Door Undercounter Refrigerator (+2/+10) - UK Plug

The company reserves the right to make modifications to the products without prior notice. All information correct at time of printing.



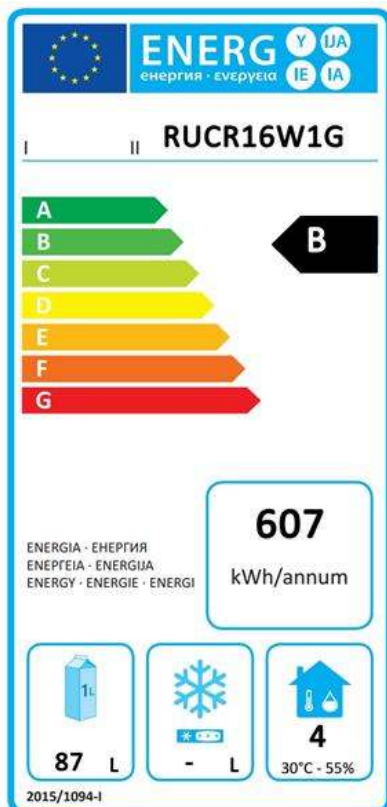
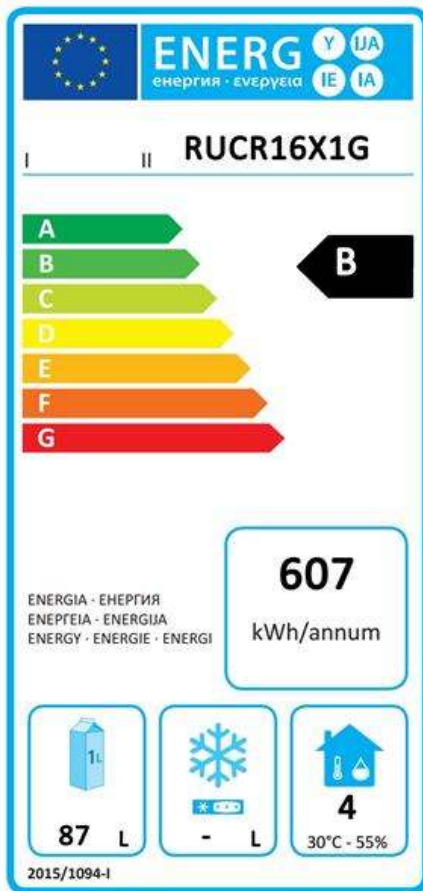
# **160 Line 1 Door Undercounter Refrigerator (+2/+10) - UK Plug**



**160 Line  
1 Door Undercounter Refrigerator (+2/+10) - UK Plug**

The company reserves the right to make modifications to the products without prior notice. All information correct at time of printing.

2018.06.14



## **EU energy labelling from 1st July 2016**

*The European energy labelling scheme for professional refrigerators and freezers is based on requirements setting Minimum Energy Performance standards for commercial refrigeration cabinets sold within the EU. These requirements are designed to drive energy efficiency and environmentally friendly approach for professionals. The European energy labelling scheme will apply to all manufacturers and importers who sell and market products within the EU and it is mandatory across Europe.*

Important: all products which consume energy above the minimum level will not be able to be sold within the EU from 1 July 2016.

## **EU energy labelling from 1st July 2016**

*The European energy labelling scheme for professional refrigerators and freezers is based on requirements setting Minimum Energy Performance standards for commercial refrigeration cabinets sold within the EU. These requirements are designed to drive energy efficiency and environmentally friendly approach for professionals. The European energy labelling scheme will apply to all manufacturers and importers who sell and market products within the EU and it is mandatory across Europe.*

Important: all products which consume energy above the minimum level will not be able to be sold within the EU from 1 July 2016.