

## Roll-in 2 Door Refrigerator, 2700lt (+2/+10)

ITEM # \_\_\_\_\_

MODEL # \_\_\_\_\_

NAME # \_\_\_\_\_

SIS # \_\_\_\_\_

AIA # \_\_\_\_\_



732054 (EACP272C)

2-door roll-in refrigerator  
2700lt, +2+10°C, AISI 304

### Short Form Specification

Item No. \_\_\_\_\_

External and internal in AISI 304 stainless steel. Body insulation thickness 75mm. N. 2 full doors. Built-in refrigeration unit; ventilated operating mode; digital control; evaporator; automatic defrost; external digital temperature display. Operating temperature +2+10°C. For ambient temperatures up to 43°C. CFC and HCFC free. R134a gas in refrigeration circuit. Gas in foam: Cyclopentane.

APPROVAL: \_\_\_\_\_

### Main Features

- Two full doors.
- The operating temperature can be adjusted from +2 to +10°C to suit both meat and dairy storage requirements.
- Simple control panel: on/off switch, high/low humidity switch and digital temperature display.
- Automatic defrost and automatic evaporation of defrost water.
- Ventilated cooling for optimal temperature distribution.
- Simple cooling unit easily accessible from the rear of the appliance.
- Universal shock-protectors on all sides.

### Construction

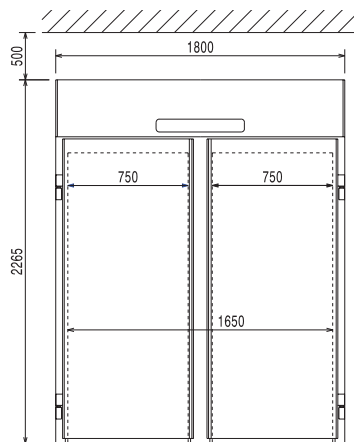
- Built-in compressor to suit operating conditions.
- Interior cell and external panel are constructed in 304 AISI stainless steel.
- 75 mm thick insulation, with cyclopentane injection for long-term insulation and energy saving.
- CFC and HCFC-free insulation.
- Refrigerant type: R134a.
- Developed and produced in ISO 9001 and ISO 14001 certified factory.

### Optional Accessories

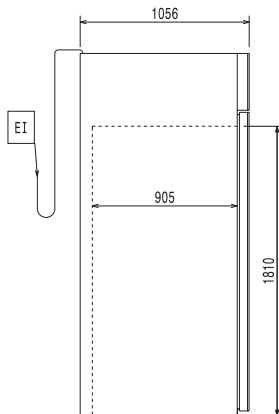
- 17x2/1GN container trolley  PNC 361258
- 17x2/1GN compact container trolley  PNC 361260
- Trolley for 2/1GN roll-in rack  PNC 880017
- Base for roll-in-rack  PNC 880018
- 2/1GN roll-in rack  PNC 881449
- Trolley for 20 2/1 GN roll-in rack  PNC 922134
- Base for 20 2/1 GN roll-in rack  PNC 922142
- 60-mm pitch roll-in rack for 20 2/1 GN  PNC 922204
- 80-mm pitch roll-in rack for 14 2/1 GN  PNC 922206

# Roll-in 2 Door Refrigerator, 2700lt (+2/+10)

**Front**

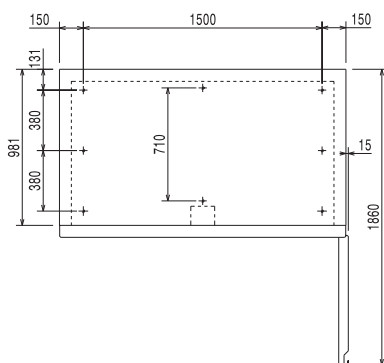


**Side**



EI = Electrical connection  
RI = Refrigerant Inlet  
RO = Refrigerant Outlet

**Top**



## Electric

Supply voltage:  
732054 (EACP272C) 230 V/1 ph/50 Hz  
Electrical power, max: 0.948 kW

## Key Information

Gross capacity 2700 lt  
N° of doors: 2  
Door hinges: 1 Left+1 Right  
External dimensions, Width 1800 mm  
External dimensions, Height 2265 mm  
External dimensions, Depth 1056 mm  
Type of external material: 304 AISI  
Type of internal material: 304 AISI  
External side panels: 304 AISI  
External top panels: Galvanized Steel  
External door material: 304 AISI  
Internal panels material: 304 AISI  
Internal side panels material 304 AISI  
Built-in Compressor and Refrigeration Unit

## Refrigeration Data

Control type: Digital  
Compressor power: 1 hp  
Refrigerant type: R134a  
Refrigeration power: 1104 W  
Refrigeration power at evaporation temperature: -10 °C  
Refrigerant weight: 460 g  
Min/Max internal humidity 75/90  
Operating temperature min.: 2 °C  
Operating temperature max.: 10 °C  
Operating mode Ventilated  
Cooling unit Built-In  
Defrost type Electric

Roll-in  
2 Door Refrigerator, 2700lt (+2/+10)

The company reserves the right to make modifications to the products without prior notice. All information correct at time of printing.