

## Roll-in 2 Glass Door Refrigerator, 2700lt (+2/+10) - Remote

ITEM # \_\_\_\_\_

MODEL # \_\_\_\_\_

NAME # \_\_\_\_\_

SIS # \_\_\_\_\_

AIA # \_\_\_\_\_



732000 (EDVP20VR1G)

2-glass door roll-in refrigerator  
2700lt, +2/+10°C, remote, AISI  
304

### Short Form Specification

**Item No.** \_\_\_\_\_

External and internal in AISI 304 stainless steel. Insulation thickness 75mm. N. 2 glass doors. Remote refrigeration unit (not included); ventilated operating mode. Digital control panel; temperature display; humidity control; hidden evaporator; automatic defrost and automatic evaporation of defrost water. Operating temperature +2/+10°C. For ambient temperatures up to 32°C. CFC and HCFC free. R134a gas in refrigeration circuit. Gas in foam: Cyclopentane.

APPROVAL: \_\_\_\_\_

### Main Features

- The operating temperature can be adjusted from +2 to +10°C to suit both meat and dairy storage requirements.
- Performance guaranteed at ambient temperatures of +32°C.
- Simple control panel: on/off switch, high/low humidity switch and digital temperature display.
- Automatic defrost and automatic evaporation of defrost water.
- Ventilated cooling for optimal temperature distribution.
- Universal shock-protectors on all sides.
- Two full glass doors.
- Internal light.

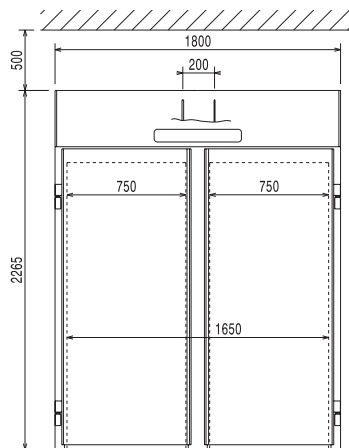
### Construction

- Remote refrigeration unit.
- Interior cell and external panel are constructed in 304 AISI stainless steel.
- 75 mm thick insulation, with cyclopentane injection for long-term insulation and energy saving.
- CFC and HCFC-free insulation.
- Refrigerant type: R134a.
- Developed and produced in ISO 9001 and ISO 14001 certified factory.

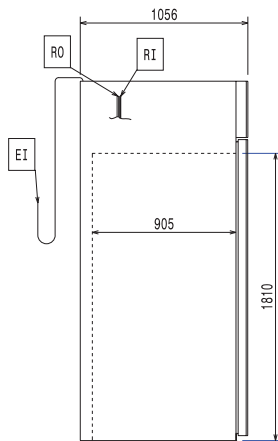
### Optional Accessories

- 17x2/1GN container trolley  PNC 361258
- 17x2/1GN compact container trolley  PNC 361260
- Trolley for 2/1GN roll-in rack  PNC 880017
- Base for roll-in-rack  PNC 880018
- 2/1GN roll-in rack  PNC 881449
- Trolley for 20 2/1 GN roll-in rack  PNC 922134
- Base for 20 2/1 GN roll-in rack  PNC 922142
- 60-mm pitch roll-in rack for 20 2/1 GN  PNC 922204
- 80-mm pitch roll-in rack for 14 2/1 GN  PNC 922206

# Roll-in 2 Glass Door Refrigerator, 2700lt (+2/+10) - Remote

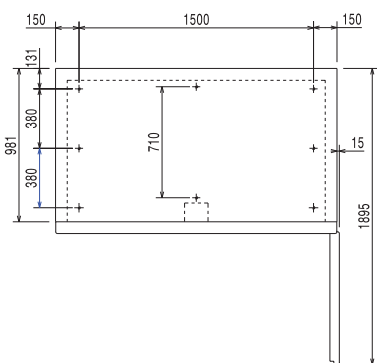


**Front**



**Side**

**EI** = Electrical connection  
**RI** = Refrigerant Inlet  
**RO** = Refrigerant Outlet



**Top**

## Electric

Supply voltage:  
732000 (EDVP20VR1G) 230 V/1 ph/50 Hz  
Electrical power, max: 0.4 kW

## Key Information

Gross capacity 2700 lt  
N° of doors: 2  
Door hinges: 1 Left+1 Right  
External dimensions, Width 1800 mm  
External dimensions, Height 2265 mm  
External dimensions, Depth 1056 mm  
Type of external material: 304 AISI  
Type of internal material: 304 AISI  
External side panels: 304 AISI  
External top panels: Galvanized Steel  
External door material: 304 AISI  
Internal panels material: 304 AISI  
Internal side panels material 304 AISI  
Built-in Compressor and Refrigeration Unit

## Refrigeration Data

Control type: Digital  
Refrigerant type: R134a  
Min/Max internal humidity 75/90/  
Operating temperature min.: 2 °C  
Operating temperature max.: 10 °C  
Operating mode Ventilated  
Cooling unit Remote  
Defrost type Electric

Roll-in  
2 Glass Door Refrigerator, 2700lt (+2/+10) - Remote

The company reserves the right to make modifications to the products without prior notice. All information correct at time of printing.