



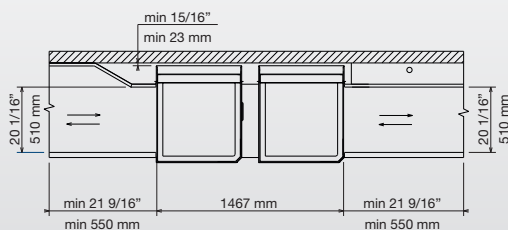
Discover the Electrolux Excellence and share more of our thinking at www.electrolux.com/professional

Follow us on

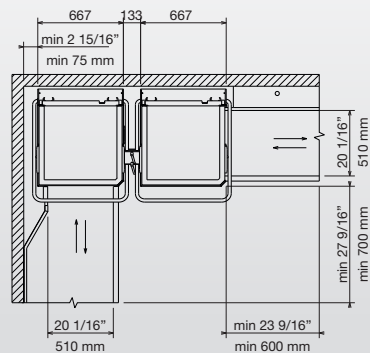
	Duet double skin Automatic Hood Type	Duet double skin Manual Hood Type	Duet single skin Manual Hood Type
Codes and accessories to connect Hood Type Duet	865265 Connection table 865266 Connection shelf (optional)	865264 Handle connection kit 865265 Connection table 865266 Connection shelf (optional)	865264 Handle connection kit 865265 Connection table 865266 Connection shelf (optional)
Table to table length - mm	1467	1467	1467
External depth - mm	755	755	755
External height without ESD - mm	1567	1567	1567
External height with ESD - mm	2273	2273	n/a
Rack dimension - mm	500 x 500	500 x 500	500 x 500
Clearance - mm	440	440	440
Max theoretical capacity (High productivity mode)	160 racks or 2880 dishes / hour	160 racks or 2880 dishes / hour	160 racks or 2880 dishes / hour
Max theoretical capacity (ETL - Sanitation mode)	126 racks or 2268 dishes / hour	126 racks or 2268 dishes / hour	126 racks or 2268 dishes / hour
ESD Energy Saving Device	•	•	
ZERO LIME Device	•	•	◦
Clear Blue filtering system	•	•	◦
Atmospheric boiler	•	•	•
Sanitation guaranteed	•	•	•

• standard on selected models
◦ available as optional accessory

Duet double skin Automatic Hood Type



Duet double skin Manual Hood Type



The Company reserves the right to change specifications without notice. Pictures are not contractual.

TEND

green&clean Hood Type Duet Dishwashers



Twice the workload capacity with a dual solution featuring quality wash performance and flexibility

Different combinations transform your washer into a multi-chamber solution and double your wash capacity during peak hours

- program one chamber to perform pre-wash operations and another to complete the wash and rinse cycles
- alternatively, program both chambers for wash and rinse cycles



GREEN

Optimise operational costs based upon variation of simultaneous loads - using either one or two machines at a time



CLEAN

Guarantee perfect warewashing results by differentiating dedicated wash loads according to work parameters, detergent and water treatments, while another machine washes the remaining ware



To create your ideal ensemble it is possible to:

Combine 2 manual Hood Type dishwashers

Combine 2 automatic Hood Type dishwashers

Choose between the suggested combinations to make the Duet solution perform the best in your wash area



green&clean Hood Type Duet dishwashers in pass-through line configuration



green&clean Hood Type Duet dishwashers in corner configuration

