

Washer extractor

W5250S

Features and benefits

- **Compass Pro[®] microprocessor offers:**
 - Large display and one control knob for easy program selection
 - Language selection
 - Quick selection and option buttons for the most frequently used wash programs and options
 - Wash program packages optimized on Economy, Performance and Time. (Available on general programs)
- **AS – Automatic Savings:**
 - The machine weighs the linen and adjusts the amount of water and energy according to the load. This leads to considerable savings in case the machine is not fully loaded. (Available on general programs)
- Extremely low water and energy consumption – see table below
- Four compartment detergent box for manual dosing of powder or liquid detergent
- High extraction force for efficient dewatering
- Door with gasket and strong hinges built for heavy duty operation
- Stainless and galvanized steel in all vital parts for high degree of rust protection
- **Power Balance:**
 - Maximises the extraction force, leading to highest dewatering and savings in drying
 - Minimizes the stress on the machine, leading to trouble-free operation and increased machine lifetime
 - Reduces vibrations, making it possible to install the machine in all locations



Images shown are a representation of the product only and variations may occur.

Main options

- Automatic liquid detergent supply (optional I/O board)
- Connection to booking- /payment- system or coin meter

| Main specifications | | | | W5250S | | | |
|--|-------------|----|--|------------------|--------------------|------------------|--------------------|
| Max. capacity filling factor 1:9 | kg/lb | | | 28/62 | | | |
| Drum, volume | litre | | | 250 | | | |
| | ø mm | | | 725 | | | |
| Extraction | rpm | | | 702 | | | |
| G-factor | | | | 200 | | | |
| Standard heating alternatives | electricity | kW | | 18.0 | | | |
| | steam | | | X | | | |
| | non-heated | | | X | | | |
| Consumption data "Normal 60°C" | | | | EI | | Steam*** | |
| Economy* | | | | Full load, 28 kg | Half load**, 14 kg | Full load, 28 kg | Half load**, 14 kg |
| Total time | min | | | 50 | 46 | 50 | 46 |
| Water consumption (cold+hot) | litre | | | 161+47 | 81+22 | 208+0 | 103+0 |
| Energy consumption (motor/heating/hot water) | kWh | | | 0.35/1.35/3.0 | 0.3/0.65/1.4 | 0.35/- | 0.3/- |
| Steam consumption | kg | | | - | - | 6.5 | 3.1 |
| Residual moisture | % | | | 58 | 66 | 58 | 66 |

* Water temperature 15°C cold water and 65°C hot water.

** Programs with AS.

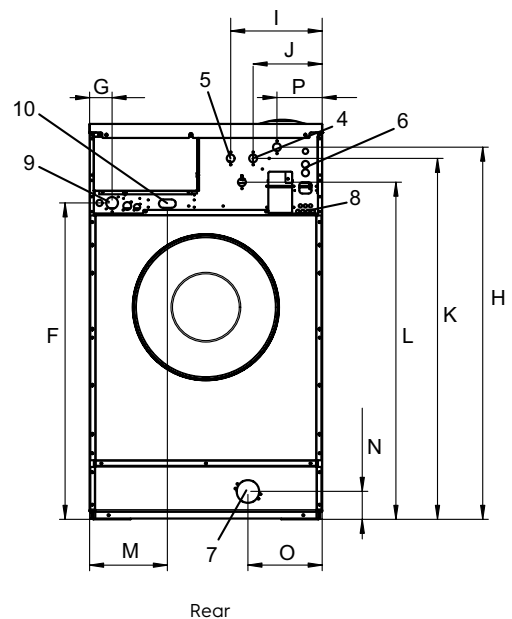
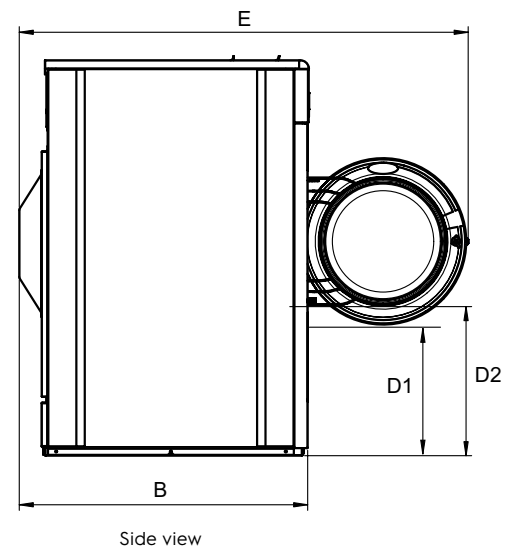
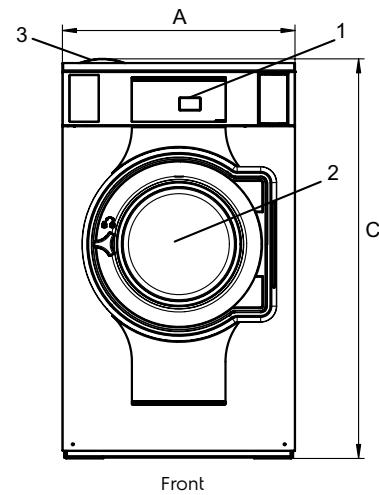
*** Depending on steam pressure.

Produced according to ISO 9001 and ISO 14001.

Certified with CB certificate for Low Voltage Directive and S-mark according to the Machinery Directive. Protection class IP X4D.

| Electrical connections | | | | | |
|------------------------|---------------|-------|------------------|----------------|--------------------|
| Heating alternative | Main voltage | | Heating power kW | Total power kW | Recommended fuse A |
| | | Hz | | | |
| Electric heated | 220-240V 3 - | 50/60 | 18.0 | 18.8 | 50 |
| | 380-415V 3N - | 50/60 | 18.0 | 18.7 | 35 |
| | 440V 3 - | 60 | 18.0 | 18.8 | 35 |
| | 480V 3 - | 60 | 18.0 | 18.8 | 25 |
| Steam or Non heated | 220-480V 1 - | 50/60 | - | 1.1 | 10 |

| Water and steam connection | | W5250S | |
|---|-----------------------|-----------|-------------------------|
| Water valves | DN | 20 | |
| Water pressure | kPa | 200-600 | |
| Capacity at 300 kPa | l/min | 60 | |
| Drain valve | ø mm | 75 | |
| Draining capacity | l/min | 170 | |
| Steam valve | DN | 15 | |
| Steam pressure | kPa | 300-600 | |
| Liquid detergent supplies | | 5 | |
| Floor requirements | | | |
| Frequency of the dynamic force | Hz | 11.7 | |
| Floor load at max extraction | kN | 3.8 ± 5.9 | |
| Sound levels | | | |
| Sound power/pressure level at extraction* | dB(A) | 74/59 | |
| Sound power/pressure level at wash* | dB(A) | 66/50 | |
| Heat emission | | | |
| % of installed power, max | | 5 | |
| Shipping data** | | | |
| Weight | net, kg | 262 | |
| Shipping volume | m ³ | 1.66 | |
| Accessories | | | |
| Steel base | | x | |
| Hose kits for water or steam | | x | |
| Fluff collector | | x | |
| Dimensions in mm | | | |
| A | Width | 830 | |
| B | Depth | 1029 | |
| C | Height | 1426 | |
| D1 | | 468 | |
| D2 | | 532 | |
| E | | 1599 | |
| F | | 1129 | |
| G | | 80 | |
| H | | 1328 | |
| I | | 327 | |
| J | | 247 | |
| K | | 1288 | |
| L | | 1203 | |
| M | | 278 | |
| N | | 100 | |
| O | | 265 | |
| P | | 162 | |
| 1 | Operating panel | 7 | Drain |
| 2 | Door opening ø 435 mm | 8 | Liquid detergent supply |
| 3 | Detergent box | 9 | Electrical connection |
| 4 | Cold water | 10 | Steam connection |
| 5 | Hot water | | |
| 6 | Re-used water | | |



Front and side panels in light grey and blue (RAL 260 70 05, 250 60 30)

* Sound power levels measured according to ISO 60704.

** Average data. Crated weight/shipping volume depends on configuration. Please contact logistics for exact measures.