

# Barrier washer extractor

## WB4130H, WB4180H

### Features and benefits

- Loading door either on the right or left hand side of the barrier washer
- Large loading and unloading door for fast and easy operations
- **Clarus Control<sup>®</sup>** with:
  - Fully programmable microprocessor
  - All relevant wash parameters can be programmed
  - Programming from key pad or downloading via memory card
- Perforated inner drum lifters for improved washing efficiency
- Prepared in standard for automatic detergent supply
- Suspended machines to be installed without any foundations
- High extraction force for efficient dewatering

### Main options

- Third water inlet valve
- IS - Integrated Saving
- Titration valve for bath sampling
- Certus Management Information System (CMIS) to ensure traceability of the linen -as per RABC\*\*\* standards



Machine with optional plinth

Images shown are a representation of the product only and variations may occur.

Main specifications		WB4130H		WB4180H	
Max. capacity	kg/lb	13/30		18/40	
Drum	volume	130		180	
	diameter	ø mm		725	
Extraction	rpm	910		860	
G-factor		300		300	
Heating alternatives, 230/400V	electricity	12.5		17.5	
	steam	x		x	
<b>Consumption data "Normal 60°C" * (7G01)</b>		El	Steam	El	Steam
Total time	min	47	**	43	**
Water consumption (cold/hot)	litre	133/24	133/24	180/40	180/40
Energy consumption (motor/heating)*	kWh	0.3/0.9	0.3	0.5/1.25	0.5
Steam consumption**	kg	-	1.3	-	1.9

\* Water temperature 15°C cold water and 65°C hot water.

\*\* Depending on steam pressure.

\*\*\* RABC, Risk Analysis and Biocontamination Control

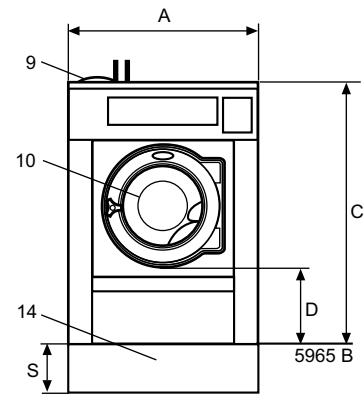
Produced according to ISO 9001 and ISO 14001.

Certified with CB certificate for Low Voltage Directive and S-mark according to the Machinery Directive. Protection class IP X4D.

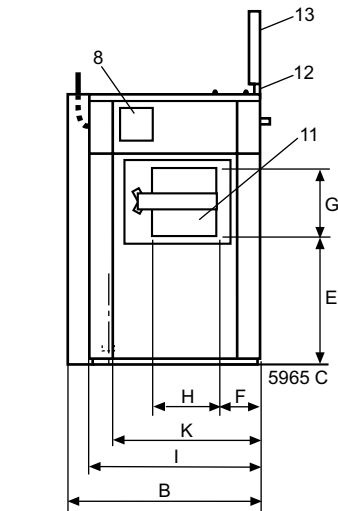
Electrical connections*		WB4130H	WB4180H
Heating Voltage			
El.	230V 3 AC 50 Hz kW(A)	12.5(35)	17.5(50)
	240V 3AC 60 Hz kW(A)	12.5(35)	17.5(50)
	400V 3N AC 50 Hz kW(A)	12.5(20)	17.5(35)
Steam	230V 1AC 60 Hz kW(A)	1.7(10)	2.3(16)
	240V 1AC 60 Hz kW(A)	1.7(10)	2.3(16)
	230V 1AC 50 Hz kW(A)	1.7(10)	2.3(16)
<b>Water and steam connection</b>			
Water valves	DN	20	20
Water pressure	kPa	150-400	150-400
Capacity at 300 kPa	l/min	27	60
Drain valve	ø mm	75	75
Draining capacity	l/min	150	150
Steam valve	DN	15	15
Steam pressure	kPa	300-600	300-600
Liquid detergent supplies		5	5
<b>Floor requirements</b>			
Frequency of the dynamic force	Hz	15.2	14.3
Max floor load at extraction	kN	3.4 ± 0.5	2.9 ± 1.0
<b>Sound levels</b>			
Airborne sound level	dB(A)	73	75
<b>Heat emission</b>			
% of installed power, max		5	5
<b>Shipping data**</b>			
Weight	net, kg	296	356
Shipping volume	m <sup>3</sup>	1.27	1.64
<b>Accessories</b>			
Steel base frame		x	x
Water re-use tank		x	x
Hose connection kits for water or steam		x	x
<b>Dimensions in mm</b>			
A	Width	910	970
B	Depth	875	975
C	Height	1325	1410
D		435	470
E		575	610
F		200	200
G		390	390
H		345	385
I		785	870
J		1035	1120
K		702	822
L		1225	1330
M		380	395
N		300	315
O		1185	1290
P		340	340
Q		825	1120
R		455	485
S		285	200
T		304	334
1	Electrical connections	9	Detergent compartment (optional)
2	Cold water	10	Door opening, unloading side
3	Hot water		WB4130H: ø395, WB4180H: ø435
4	Hard water	11	Door opening, loading side
5	Steam connection		WB4130H: 280x280, WB4180H: 320x280
6	Drain	12	Barrier frame
7	Liquid supply connections	13	Barrier partition
8	Operating panel	14	Plinth (optional)

\* Other voltages available, see installation manual.

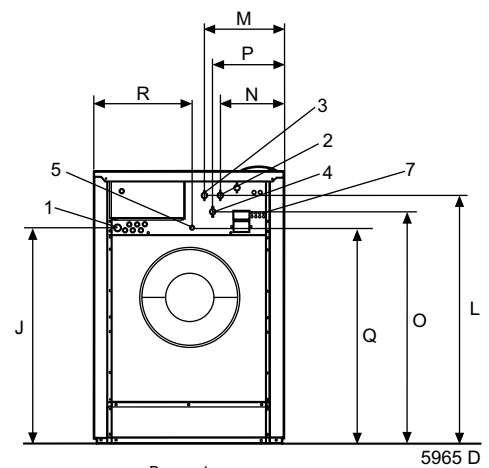
\*\* Average data. Crated weight/shipping volume depends on configuration. Please contact logistics for exact measures.



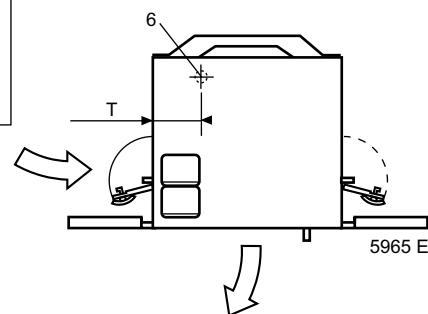
Front view



Left view



Rear view



Top view