

Washer extractors

W475S

Features and benefits

- **Clarus Control[®] with:**
 - Fully programmable microprocessor
 - All relevant wash parameters can be programmed
 - Programming from key pad or downloading via memory card
- Frequency-controlled motor with fixed wash and extraction speeds ensures smooth action in the wash and extraction sequence
- Good dewatering ability due to higher G-force compared with a traditional solid mount machine
- Solid mount construction with robust frame in galvanized steel
- Extremely low water and energy consumption – see table below
- Four compartment soap box for manual dosing of powder or liquid detergent
- Large door opening for easy loading/unloading
- Stainless and galvanized steel in all vital parts for high degree of rust protection
- SuperBalance™ guarantees the correct extraction force



Images shown are a representation of the product only and variations may occur.

Main options

- Stainless steel front panel
- Stainless steel side panel
- Drain pump

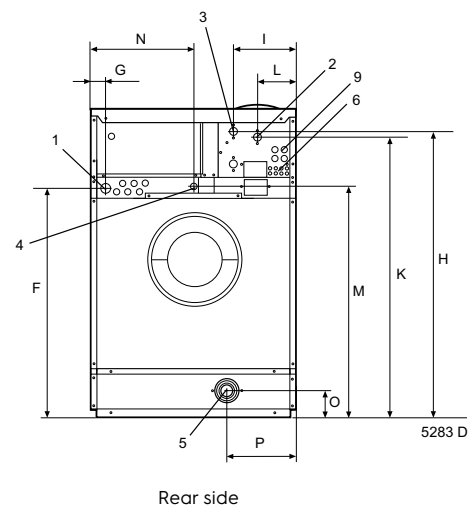
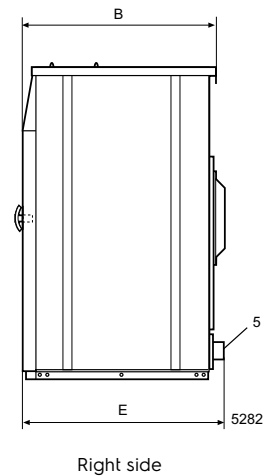
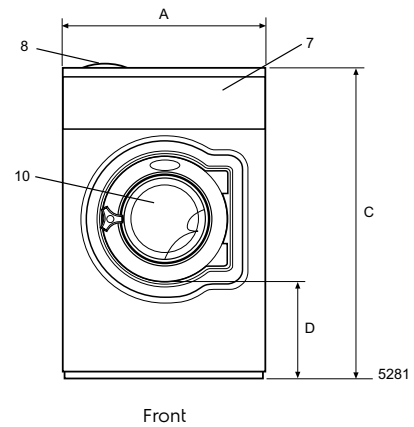
Main specifications			W475S	
Max. capacity	kg/lb		8/18	
Drum, volume	litre		75	
diameter	ø mm		520	
Extraction	rpm		830	
G-factor			200	
Heating alternatives, 230/400V	electricity	kW	2.0 / 3.0 / 5.4 / 7.5	
	steam		x	
	non-heated		x	
Consumption data "Normal 60°C" * (3G01)			El	Steam
Total time	min		46	**
Water consumption (cold+hot)	litre		54+14	54+14
Energy consumption (motor/heating)	kWh		0.15/0.35	0.15
Steam consumption	kg		-	0.5
* Water temperature 15°C cold water and 65°C hot water				
** Depending on steam pressure				

Produced according to ISO 9001 and ISO 14001.

Certified with CB certificate for Low Voltage Directive and S-mark according to the Machinery Directive. Protection class IP X4D.

Electrical connections					
Heating alternative	Main voltage		Heating power kW	Total power kW	Recommended fuse A
		Hz			
Electric heated	220-240V 1 -	50/60	5.4/7.5	5.7/7.8	25/35
	220-240V 1 -	50/60	2.0/3.0	2.3/3.3	16
	220-240V 3 -	50/60	5.4/7.5	5.7/7.8	16/25
	380-415V 3N -	50/60	5.4/7.5	5.7/7.8	10/16
	440V 3 -	60	7.5	7.8	16
	480V 3 -	60	7.5	7.8	16
Steam or Non heated	220-480V 1 -	50/60	-	0.4	10

Water and steam connection		W475S
Water valves	DN	20
Water pressure	kPa	200-600
Capacity at 300 kPa	l/min	20
Drain valve	∅ mm	75
Draining capacity	l/min	170
Steam valve	DN	15
Steam pressure	kPa	300-600
Liquid detergent supplies		5
Floor requirements		
Frequency of the dynamic force	Hz	13.8
Floor load at max extraction	kN	1.6 ± 2.4
Sound levels		
Sound pressure level*		
Wash	dB(A)	<70
Extraction	dB(A)	<70
Heat emission		
% of installed power, max		5
Shipping data**		
Weight	net, kg	129
	crated, kg	150
Shipping volume	m ³	0.74
Accessories		
Steel base frame		x
Hose kits for water or steam		x
Fluff collector		x
Dimensions in mm		
A Width		660
B Depth		690
C Height		1115
D		355
E		725
F		825
G		45
H		1030
I		215
K		1010
L		130
M		330
N		385
O		100
P		210
1 Electrical connection	6 Liquid supply connections	
2 Cold water	7 Control panel	
3 Hot water	8 Soap box	
4 Steam connection	9 Connections for water re-use	
5 Drain	10 Door opening ∅ 310 mm	



Front and side panels in light grey with "Blue Wave" on front panel (RAL 260 70 05, 250 60 30)

* A-weighted emission sound pressure level at workingstations.

** Average data. Crated weight/shipping volume depends on configuration. Please contact logistics for exact measures.