

Professional Washer-Dryer

WD5130

Features and benefits

- **Convenience**
 - Washing and drying is done in one machine
 - The WD can also be used as a regular washer or dryer
- **Space saving**
 - Only 1 or 1.4 m² floor space
 - A traditional solution will use the double space
- **Compass Pro[®] microprocessor offers:**
 - Large display and one control knob for easy program selection
 - Language selection
 - Quick selection and option buttons for the most frequently used wash programs and options
 - Wash program packages optimized on Economy, Performance and Time. (Available on general programs)
- **AS – Automatic Savings:**
 - The machine weighs the linen and adjusts the amount of water and energy according to the load. This leads to considerable savings in case the machine is not fully loaded. (Available on general programs)
- Extremely low water and energy consumption – see table below
- Four compartment detergent box for manual dosing of powder or liquid detergent
- High extraction force for efficient dewatering
- Door with gasket and strong hinges built for heavy duty operation
- Stainless and galvanized steel in all vital parts for high degree of rust protection
- **Power Balance:**
 - Maximises the extraction force, leading to highest dewatering and savings in drying
 - Minimizes the stress on the machine, leading to trouble-free operation and increased machine lifetime
 - Reduces vibrations, making it possible to install the machine in all locations



Images shown are a representation of the product only and variations may occur.

Main options

- Connection to payment system or coin meter

Main specifications			WD5130
Recommended load,	washing/drying	kg/lb	6.5/14
Max. load	washing/drying	kg/lb	8/18
Max. load	washing only	kg/lb	14/30
Max. load	drying only	kg/lb	8/18
Drum,	volume	litre	130
	diameter	ø mm	650
Extraction		rpm	980
G-factor			350
Heating alternatives, 240/415V			
	electricity (washing/drying)	kW	8.0/13.0
	gas (drying)	BTU/h (kW)	34100 (10)
	non-heated (washing)		x
Consumption data, Normal 60°C wash&dry at rec. capacity* Economy			
Total time	non heated (heated)	min	76 (79)
Water consumption	cold/hot	litre	48/12
Energy consumption,			
(wash heated) motor/heating/hot water/drying		kWh	0.3/0.35/0.75/4.2
(wash non-heated) motor/hot water/drying		kWh	0.3/0/0.75/4.2
Evaporation, electric heated machine		g/min	105
Evaporation, gas heated machine		g/min	118
Energy kWh/litre evaporated		kWh/l	1.35

* Water temperature 15°C cold water and 65°C hot water.

Produced according to ISO 9001 and ISO 14001.

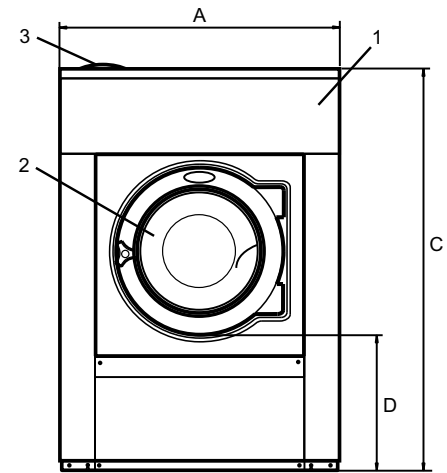
Certified with CB certificate for Low Voltage Directive and S-mark according to the Machinery Directive. Protection class IP X4D.

Electrical connections					
Heating alternative	Main voltage		Heating power kW	Total power kW	Recommended fuse A
		Hz			
Electric heated Washer	220-240V 1 -	50/60	13.0	13.3	63
	220-240V 3 -	50/60	13.0	13.3	35
	380-415V 3N -	50/60	13.0	13.3	20
	440/480V 3 -	50/60	13.0	13.3	20
Electric heated Dryer	220-240V 1 -	50/60	8.0	8.3	35
	220-240V 3 -	50/60	8.0	8.3	25
	380-415V 3 -	50/60	8.0	8.3	16
	440/480V 3 -	50/60	8.0	8.3	16
Non-heated	220-480V 1 -	50/60	-	1.2	10

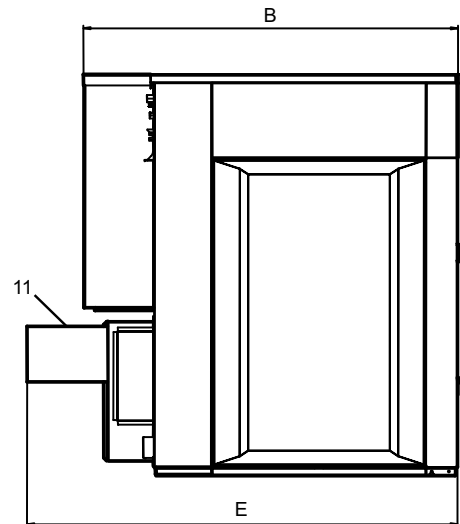
Water and steam connection		WD5130	
Water valves	DN	20	
Water pressure	kPa	150-400	
Capacity at 300 kPa	l/min	27	
Drain valve	ø mm	75	
Draining capacity	l/min	150	
Gas valve	ISO 7/1-R	1/2	
Liquid detergent supplies		5	
Air connections			
Air outlet	ø mm	125	
Evacuated air	m ³ /h	340	
Pressure drop	Max. Pa	280	
Floor requirements			
Frequency of the dynamic force	Hz	16.4	
Max floor load at extraction	kN	3.0 ± 0.5	
Sound levels			
Sound pressure level*	dB(A)	70	
Sound power level (IEC 60704-2-4)	dB(A)	78	
Heat emission			
% of installed power washer, max		5	
% of installed power dryer, max		15	
Shipping data**			
Weight	net, kg	402	
Shipping volume	m ³	1.95	
Dimensions in mm			
A	Width	910	
B	Depth	1110	
C	Height	1330	
D		435	
E		1195	
F		1055	
G		90	
H		1240	
I		1095	
J		105	
K		275	
L		385	
M		410	
N		535	
O		585	
P		450	
1	Operating panel	8	Electrical connection
2	Door opening: ø 395 mm	9	Hot water
3	Detergent container	10	Cold water
4	Cold or hot water	11	Exhaust connection
5	Drain	12	Fan inverter
6	Gas connection	13	Air inlet (option): ø 125 mm
7	Liquid supply connections		

* A-weighted emission sound pressure level at workingstations.

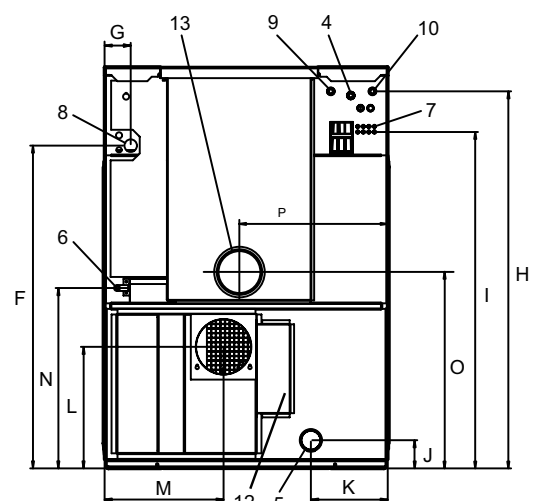
** Average data. Crated weight/shipping volume depends on configuration. Please contact logistics for exact measures.



Front



Left view



Rear side