

Tumble dryer

TD6-14



Dryer featuring exceptional savings and effortless use



Priority on people

Certified ergonomic design with a human-centered approach for an outstanding user experience

- Lint filter
The horizontal filter drawer is positioned for easy access and cleaning without the need to bend down



Long-term savings

Innovative features to save money and time, and embrace a sustainable lifestyle

- Moisture Balance (optional)
Helps to stop the drying process at the right time to save on energy costs



Pure control

Monitor your equipment and performance from anywhere, allowing to take action and to improve your business with OnE Laundry - the personal assistant for hygiene validation management, process management and revenue management



Outstanding productivity

Dry more laundry in less time: a game-changing improvement

- Reversing drum
Minimizes wrinkles and drying time to get an effective and even drying performance

Main options and accessories

- Insulated glass door keeps the door cool on the outside and heat on the inside, so the room temperature is not affected
- Lagoon Advanced Care
- Drum Speed Control adjusts the movement of the drum to help garments move correctly for a faster drying process
- Door, front and side panels are available in stainless steel
- Connectable to booking-/payment system or coin meter
- Adaptive Fan Control - The Adaptive Fan Control adjusts the fan speed automatically to keep air flowing efficiently which will save energy and help to optimize the drying time. It can also be used to reduce the noise level when needed. (Only available on electric heated machines)



Images shown are a representation of the product only and variations may occur.

Main specifications			TD6-14				
Rated capacity, filling factor 1:18		kg/lb	14.2/31.3				
	filling factor 1:22	kg/lb	11.6/25.6				
Drum volume		litre	255				
Drum diameter		mm	755				
Heating,	electric	kW	6.0/9.0/13.5				
	gas	BTU/h (kW)	46000 (13.5)				
	steam at 700 kPa		15.0				
Consumption data*			EI 6.0 kW	EI 9.0 kW	EI 13.5 kW	Gas	Steam
Total time full load		min	50	35.6	25.6	27.9	27.1
Energy consumption full load		kWh	5.5	5.7	5.8	6.5	7.1
Evaporation		g/min	115	163	226	208	214
Energy kWh/litre water evaporated		kWh/l	0.96	0.99	1.00	1.12	1.23

* At rated capacity 1:22, 100% cotton load at 50% initial moisture dried to 0%.

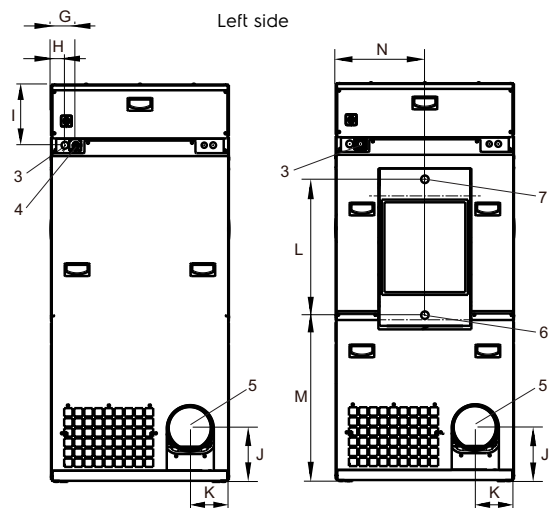
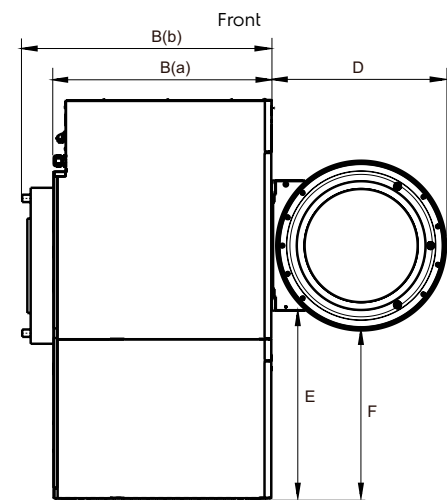
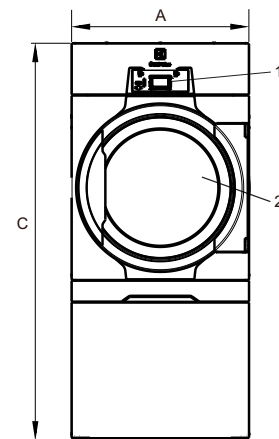
Electrical connections					
Heating alternative	Main voltage		Heating power kW	Total power kW	Recommended fuse A
		Hz			
Electric heated	220-240V 1 -	50/60	6.0	7.0	35
	220-230V 3 -	50/60	9.0/13.5	10.0/14.5	35/50
	240V 3 -	50/60	9.0/13.5	10.0/14.5	25/35
	380-415V 3N -	50/60	9.0/13.5	10.0/14.5	16/25
	440V 3 -	50/60	9.0/13.5	10.0/14.5	16/20
	480V 3 -	60	9.0/13.5	10.0/14.5	16/20
Gas heated/ Steam heated	220-240V 1 -	50/60	*	1.2	10
	220-240V 3 -	50/60	*	1.0	10
	380-415V 3N -	50/60	*	1.0	10
	440V 3 -	50/60	*	1.0	10
	480V 3 -	60	*	1.0	10

* Total power and recommended fuse does not depend on the heating power in those cases.

Steam, gas and air connections			TD6-14
Steam	ISO 7/1-R		1"
Steam pressure		kPa	100-1000
Steam consumption		kg/h	65
Condensate	ISO 7/1-R		1"
Gas	ISO 7/1-R		1/2"
Gas pressure	Natural gas	Pa	2000
		mbar	20
	Propane	Pa	2800-5000
		mbar	28-50
Air outlet		ø mm	200
Evacuated air,	el 6.0/9.0 kW el 13.5 kW gas 13.5 kW steam 15.0 kW		260
			360
			360
			420
			420
Pressure drop	el 6.0/9.0 kW el/gas 13.5 kW steam 15.0 kW	Max. Pa	750
			650
			650
Sound levels			
Sound power/pressure level at drying*		dB(A)	72/56
Heat emission			
% of installed power, max			15
Shipping data**			
Weight		net, kg	222
Shipping volume		crated, m ³	1.70
Dimensions in mm			
A	Width		790
B(a)	Depth, el and gas		965
B(b)	Depth, steam		1105
C	Height		1771
D			773
E			836
F			750
G			110
H			62
I			270
J			240
K			174
L			605
M			739
N			396
1	Operating panel		
2	Door opening ø 580 mm		
3	Electrical connection on gas heated machines		
4	Gas connection/Electrical connection on electrical heated machines		
5	Exhaust connection		
6	Condensate connection		
7	Steam connection		

* Sound power levels measured according to ISO 60704.

** Average data. Crated weight/shipping volume depends on configuration. Please contact logistics for exact measures.



El, gas

Steam

Rear side