

## Crio Smart 1 Door Digital Freezer, 670lt (-22/-15) - Remote

ITEM # \_\_\_\_\_

MODEL # \_\_\_\_\_

NAME # \_\_\_\_\_

SIS # \_\_\_\_\_

AIA # \_\_\_\_\_



729047 (ARX71FFR)

1-door freezer 670lt, -22-15°C,  
digital, remote, AISI 304

### Short Form Specification

**Item No.** \_\_\_\_\_

Full door freezer with internal and external structure in 304 AISI stainless steel; external back panel in galvanized steel and bottom panel in anti-corrosive material. Digital control with cabinet temperature display and setting and manual activation of defrost cycle. Fully compliant HACCP digital controls include visible alarms. Optimized back to front forced air flow provides even temperature distribution and fast cooling in any conditions. Fitted with 75 mm-thick cyclopentane insulating foam. On-site reversible door features lock and door microswitch to switch off the fan when the door is opened. Hidden evaporator to guarantee higher storage capacity and less corrosion problems. Remote refrigeration unit; ventilated operation; automatic defrost and evaporation of defrost water. For ambient temperatures up to 43 °C. CFC and HCFC free. R404a gas in refrigeration circuit.

Supplied with n. 3x2/1GN Rilsan coated grids and n. 3 sets of 2 stainless steel grid runners.

### Main Features

- Automatic defrost.
- Large storage area suitable to contain 2/1 GN grids or shelves on anti-tilt runners.
- Right hinged full door.
- Freezer model has operating temperatures that can be adjusted from -22 to -15 °C.
- Cabinet fitted with up to 75 mm thickness of cyclopentane insulation for best insulating performance with 100% environmental protection (thermal conductivity: 0,020 W/m\*K).
- Hidden evaporator thus guaranteeing higher storage capacity and less corrosion problems.
- Internal structure with numerous charging positions available to host grids, ensuring higher net capacity and a greater storage space.
- 60 mm-thick insulation covering the evaporator can be easily removed with a single operation.
- Removable triple-chamber balloon magnetic gasket to improve insulation and reduce energy consumption and ease of cleaning.
- Rilsan coated grids for improved protection.
- Optimized back to front forced air flow provide even temperature distribution and fast cooling in any conditions.
- Digital control with cabinet temperature display and setting and manual activation of defrost cycle. Fully compliant HACCP digital controls include visible alarms.

### Construction

- Interior base with rounded corners, pressed from a single sheet.
- Lockable door.
- Mounted on adjustable Stainless steel feet, with castors as an option.
- Refrigerant type: R404a.
- Remote refrigeration unit.
- Constructed from the highest quality AISI 304 Stainless steel.
- The rounded internal corners, the easily removable runners and grids allow for ease of cleaning and high hygiene standards.
- CFC and HCFC-free insulation.
- Easy access to the main components for maintenance.
- Stainless steel runners and supports easily disassembled.
- Door switch stops the fan when door is opened to avoid cold air exiting the cell, thus saving energy.
- Anti-corrosion bottom avoids any damage that may be caused to the cabinet by aggressive detergents employed to clean the floors.
- Doors are self-closing and can be fully opened up to 180°.

APPROVAL: \_\_\_\_\_

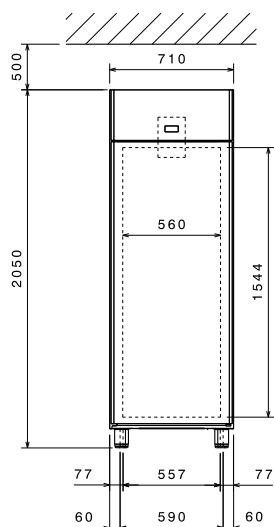
### Included Accessories

- 3 of Grey rilsan grid with 2 runners, GN 2/1 PNC 881020

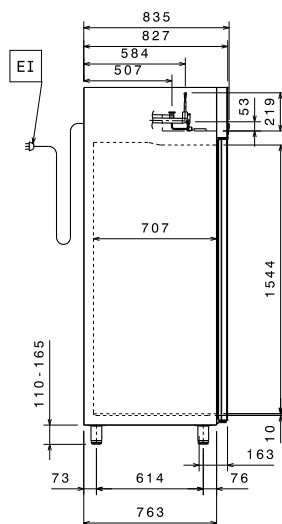
### Optional Accessories

- Grids support with 50 positions for refrigerated cabinets (Crio Smart)  PNC 880236
- 2 stainless steel runners for refrigerated cabinets - (Marine)  PNC 880242
- Set of 8 GN1/1 PVC containers for fish  PNC 880243
- Spacer for 670 lt and 1430 lt refrigerated cabinets  PNC 880248
- Kit integrated HACCP for digital refrigerators (IR33)  PNC 880252
- Pedal opening for cabinets  PNC 880324
- Plastic container with false bottom, GN 1/1  PNC 880705
- Kit to fit 10 pastry trays (400x600mm)  PNC 881003
- Grey rilsan grid, GN 2/1  PNC 881004
- AISI 304 stainless steel grid, GN 2/1  PNC 881016
- AISI 304 stainless steel grid with 2 runners, GN 2/1  PNC 881018
- Grey rilsan grid with 2 runners, GN 2/1  PNC 881020
- Set of 2 stainless steel runners for 670/1430lt refrigerators and freezers  PNC 881021
- PVC container with lid and 2 runners, GN 2/1  PNC 881039
- Perforated shelf, GN 2/1  PNC 881042
- Rilsan steel wire basket h=150mm, GN 1/1  PNC 881043
- Grey rilsan basket+2 runners h=150mm, GN 2/1  PNC 881047
- Remote unit for 670lt cabinets and freezer counters - 2 and 3 compartments  PNC 881123

### Front

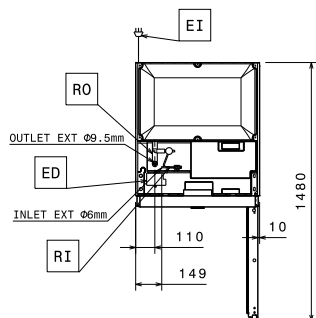


### Side



EI = Electrical inlet (power)  
RI = Refrigerant Inlet  
RO = Refrigerant Outlet

### Top



### Electric

Supply voltage:	729047 (ARX71FFR)	220-240 V/1 ph/50/60 Hz
Electrical power max.:		0.17 kW
Defrost Power:		0.4 kW
Current consumption:		0.74 Amps
Plug type:		CE-SCHUKO
Energy consumption (min,default):		0 - 0 kW/h

### Key Information:

Gross capacity:	670 lt
Net Volume:	503 lt
Door hinges:	Right Side
External dimensions, Width:	710 mm
External dimensions, Height:	2050 mm
External dimensions, Depth:	835 mm
Number and type of doors:	1 Full
Internal Dimensions (depth):	707 mm
Internal Dimensions (height):	1544 mm
Internal Dimensions (width):	560 mm
Shipping volume:	1.41 m <sup>3</sup>
Height adjustment:	20/35 mm
Number and type of grids (included):	3 - GN 2/1

### Refrigeration Data

Control type:	Digital
Compressor power:	
Refrigerant type:	R404a
GWP Index:	3922
Refrigeration power:	0 W
Refrigeration power at evaporation temperature:	-23.3 °C
Refrigerant weight:	0 g
Min/Max internal humidity:	
Operating temperature min.:	-22 °C
Operating temperature max.:	-15 °C
Operating mode:	Ventilated

### Product Information (EU Regulation 2015/1094)

Energy Class:	
Yearly and daily energy consumption:	
Climate class:	
Energy Efficiency Index (EEI):	