

# ALPENINOX

## Crio Smart 2 Door Digital Refrigerator, 1430lt (-2/+10) R290

ITEM # \_\_\_\_\_

MODEL # \_\_\_\_\_

NAME # \_\_\_\_\_

SIS # \_\_\_\_\_

AIA # \_\_\_\_\_



729120 (ARX142FRH)

2-door refrigerator  
1430lt, -2/+10°C (R290),  
digital, full AISI 304

### Short Form Specification

#### Item No. \_\_\_\_\_

Two full doors refrigerator with internal and external structure in 304 AISI stainless steel; external back panel in galvanized steel and bottom panel in anti-corrosive material. Digital control with cabinet temperature display and setting and manual activation of defrost cycle. Fully compliant HACCP digital controls include visible alarms. Optimized back to front forced air flow provides even temperature distribution and fast cooling in any conditions. Fitted with 75 mm-thick cyclopentane insulating foam. Door features lock and door microswitch to switch off the fan when the door is opened. Hidden evaporator to guarantee higher storage capacity and less corrosion problems. Remote refrigeration unit; ventilated operation; automatic defrost and evaporation of defrost water. For ambient temperatures up to 43 °C. CFC and HCFC free. R290 gas in refrigeration circuit. Supplied with n. 6x2/1GN Rilsan coated grids and n. 6 sets of 2 stainless steel grid runners.

### Main Features

- Automatic defrost.
- Large storage area suitable to contain 2/1 GN grids or shelves on anti-tilt runners.
- Two full doors.
- Cabinet fitted with up to 75 mm thickness of cyclopentane insulation for best insulating performance with 100% environmental protection (thermal conductivity: 0,020 W/m\*K).
- Hidden evaporator thus guaranteeing higher storage capacity and less corrosion problems.
- Internal structure with numerous charging positions available to host grids, ensuring higher net capacity and a greater storage space.
- 60 mm-thick insulation covering the evaporator can be easily removed with a single operation.
- Removable triple-chamber balloon magnetic gasket to improve insulation and reduce energy consumption and ease of cleaning.
- Rilsan coated grids for improved protection.
- Optimized back to front forced air flow provide even temperature distribution and fast cooling in any conditions.
- Digital control with cabinet temperature display and setting and manual activation of defrost cycle. Fully compliant HACCP digital controls include visible alarms.
- Automatic evaporation of the defrosting water by hot gas on the top for energy saving.
- Cleaning-free condenser: the structure of the wire frame condenser prevents dust and grease accumulation thus avoiding periodical cleaning operations and reducing energy consumption.
- Tropicalized unit (43°C ambient temperature).
- This appliance is intended for use in ambient temperatures up to 40°C.

APPROVAL: \_\_\_\_\_

## Construction

- Interior base with rounded corners, pressed from a single sheet.
- Stainless steel runners and supports easily disassembled.
- Anti-corrosion bottom avoids any damage that may be caused to the cabinet by aggressive detergents employed to clean the floors.
- Easy access to the main components for maintenance.
- Lockable door.
- Door switch stops the fan when door is opened to avoid cold air exiting the cell, thus saving energy.
- CFC and HCFC-free insulation.
- Doors are self-closing and can be fully opened up to 180°.
- Mounted on adjustable Stainless steel feet, with castors as an option.
- The rounded internal corners, the easily removable runners and grids allow for ease of cleaning and high hygiene standards.
- R290 refrigerant to reduce green house and ozone depletion effects.

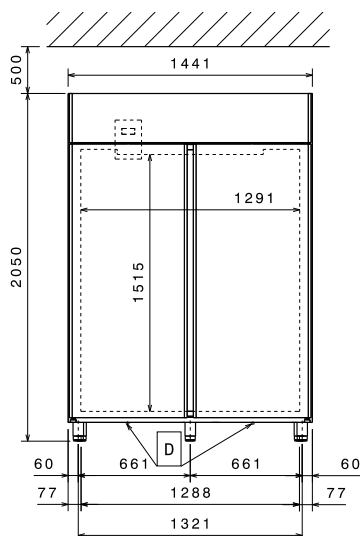
## Included Accessories

- 6 of Grey rilsan grid with 2 runners, GN 2/1 PNC 881020

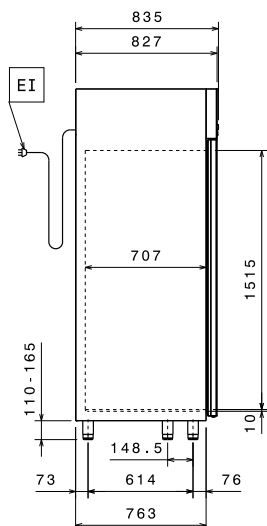
## Optional Accessories

- 2 stainless steel runners for refrigerated cabinets - (Marine) PNC 880242
- Spacer for 670 lt and 1430 lt refrigerated cabinets PNC 880248
- Kit integrated HACCP for digital refrigerators (IR33) PNC 880252
- Kit to fit pastry trays (400x600mm) PNC 880333
- Kit of 6 swivelling wheels, 2 with brake, diam 50 mm PNC 880340
- Plastic container with false bottom, GN 1/1 PNC 880705
- 4 swivelling wheels (2 with brake) for refrigerators, diam 125 mm, NOT for glass door and remote models PNC 881002
- Grey rilsan grid, GN 2/1 PNC 881004
- AISI 304 stainless steel grid, GN 2/1 PNC 881016
- AISI 304 stainless steel grid with 2 runners, GN 2/1 PNC 881018
- Meat rail for 670/1430lt refrigerators with 4 hooks PNC 881019
- Grey rilsan grid with 2 runners, GN 2/1 PNC 881020
- Set of 2 stainless steel runners for 670/1430lt refrigerators and freezers PNC 881021
- Pedal opening for 1430lt refrigerators PNC 881033
- PVC container with lid and 2 runners, GN 2/1 PNC 881039
- Perforated shelf, GN 2/1 PNC 881042
- Rilsan steel wire basket h=150mm, GN 1/1 PNC 881043
- 3 grey rilsan central grids for 1430lt (not for glass door) PNC 881044
- Grey rilsan basket+2 runners h=150mm, GN 2/1 PNC 881047
- Kit HACCP EKIS PNC 922166

**Front**

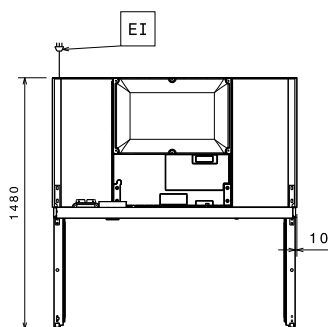


**Side**



EI = Electrical inlet (power)  
RI = Refrigerant Inlet  
RO = Refrigerant Outlet

**Top**



### Electric

<b>Supply voltage:</b>	729120 (ARX142FRH)	220-230 V/1 ph/50 Hz
<b>Electrical power max.:</b>		0.3 kW
<b>Defrost Power:</b>		0.19 kW
<b>Current consumption:</b>		2.2 Amps
<b>Plug type:</b>		CE-SCHUKO
<b>Energy consumption (min,default):</b>		0 - 0 kW/h

### Key Information:

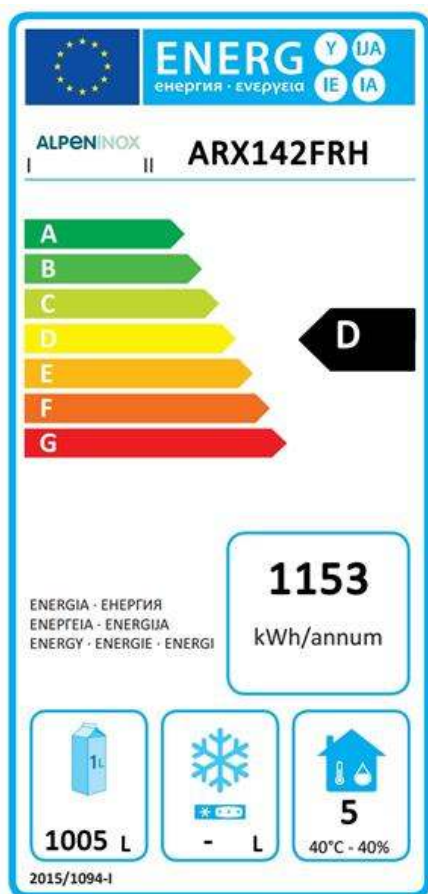
<b>Gross capacity:</b>	1430 lt
<b>Net Volume:</b>	1005 lt
<b>Door hinges:</b>	1 Left+1 Right
<b>External dimensions, Width:</b>	1441 mm
<b>External dimensions, Height:</b>	2050 mm
<b>External dimensions, Depth:</b>	835 mm
<b>Number and type of doors:</b>	2 Full
<b>Internal Dimensions (depth):</b>	707 mm
<b>Internal Dimensions (height):</b>	1515 mm
<b>Internal Dimensions (width):</b>	1291 mm
<b>Shipping volume:</b>	2.82 m <sup>3</sup>
<b>Height adjustment:</b>	0/0 mm
<b>Number and type of grids (included):</b>	6 - GN 2/1

### Refrigeration Data

<b>Control type:</b>	Digital
<b>Compressor power:</b>	1/3 hp
<b>Refrigerant type:</b>	R290
<b>GWP Index:</b>	3
<b>Refrigeration power:</b>	395 W
<b>Refrigeration power at evaporation temperature:</b>	-10 °C
<b>Refrigerant weight:</b>	120 g
<b>Min/Max internal humidity:</b>	
<b>Operating temperature min.:</b>	-2 °C
<b>Operating temperature max.:</b>	10 °C
<b>Operating mode:</b>	Ventilated

### Product Information (EU Regulation 2015/1094)

<b>Energy Class:</b>	D
<b>Yearly and daily energy consumption:</b>	1153kWh/year - 3.16kWkWh/24h
<b>Climate class:</b>	Heavy Duty (5)
<b>Energy Efficiency Index (EEI):</b>	51,01
<b>Type of model:</b>	vertical chilled



### EU energy labelling from 1st July 2016

The European energy labelling scheme for professional refrigerators and freezers is based on requirements setting Minimum Energy Performance standards for commercial refrigeration cabinets sold within the EU. These requirements are designed to drive energy efficiency and environmentally friendly approach for professionals. The European energy labelling scheme will apply to all manufacturers and importers who sell and market products within the EU and it is mandatory across Europe.

Important: all products which consume energy above the minimum level will not be able to be sold within the EU from 1 July 2016.