

ALPENINOX

Crio Tech 2 Glass Door Digital Freezer, 1430lt (-20/-15)

ITEM # _____

MODEL # _____

NAME # _____

SIS # _____

AIA # _____



728656 (CTE142GF)

2-glass door freezer
1430lt, -20-15°C, digital, AISI
304

Short Form Specification

Item No. _____

Two full glass door freezer entirely constructed in 304 AISI stainless steel with bottom panel in anti-corrosive material. Large digital display featuring cabinet temperature display and setting, manual activation of defrost cycle and turbo frost cycle (to rapidly cool warm loads). HACCP-compliant control with alarms and history. IQ Defrost to defrost only when required with automatic evaporation of defrost water. Three probes to constantly monitor the working conditions of the appliance. Airflow System: back to front forced air flow and removable air conveyors provide even temperature distribution and fast cooling in any conditions. Fitted with 75 mm-thick cyclopentane insulating foam. Door features lock and door microswitch to switch off the fan when the door is opened. Hidden evaporator to guarantee higher storage capacity and less corrosion problems. Built-in refrigeration unit; ventilated operation; Internal LED light and internal back light. Operating temperature: -20/-15°C. For ambient temperatures up to 32 °C. CFC and HCFC free. R404a gas in refrigeration circuit.

Supplied with n. 6x2/1GN 304 AISI stainless steel grids and n. 6 sets of 2 stainless steel grid runners. Prearranged to fit RS485 port to facilitate connection to a remote computer and integrated HACCP systems.

APPROVAL: _____

Main Features

- Large digital white-digit display with cabinet temperature display and setting, manual activation of defrost cycle, turbo frost cycle (to rapidly cool warm loads) and internal light switch.
- Fully compliant HACCP digital control: when temperature exceeds critical limits, acoustic and visual alarms are activated. Up to two months of event are kept in memory.
- Large storage area suitable to contain 2/1 GN grids or shelves on anti-tilt runners.
- Internal structure with numerous charging positions available to host grids, ensuring higher net capacity and a greater storage space.
- Performance guaranteed at ambient temperatures of +32°C.
- Cabinet fitted with up to 75 mm thickness of cyclopentane insulation for best insulating performance with 100% environmental protection (thermal conductivity: 0,020 W/m*K).
- Removable triple-chamber balloon magnetic gasket to improve insulation and reduce energy consumption and ease of cleaning.
- Automatic evaporation of the defrosting water by hot gas on the top for energy saving.
- 60 mm-thick insulation covering the evaporator can be easily removed with a single operation.
- Interior LED light to save energy and for best internal visibility.
- Prearranged to fit RS485 port to facilitate connection to a remote computer and integrated HACCP systems.
- Adjustable temperature range from -15°C to -20°C to suit all storage requirements.
- Airflow: back to front forced air flow and removable air conveyors provide even temperature distribution and fast cooling in any conditions.
- IQ Defrost: fully automatic defrost starts only when ice is actually building-up in the evaporator.
- Provided with stainless steel A304 grids.

ALPENINOX

2 Glass Door Digital Freezer, 1430lt (-20/-15)
Crio Tech

Construction

- Constructed from the highest quality AISI 304 Stainless steel.
- Interior base with rounded corners, pressed from a single sheet.
- The rounded internal corners, the easily removable runners, grids and air conveyors allow for ease of cleaning and high hygiene standards.
- Stainless steel runners and supports easily disassembled.
- Anti-corrosion bottom avoids any damage that may be caused to the cabinet by aggressive detergents employed to clean the floors.
- Easy access to the main components for maintenance.
- Lockable door.
- Door switch stops the fan when door is opened to avoid cold air exiting the cell, thus saving energy.
- Refrigerant type: R404a.
- CFC and HCFC-free insulation.

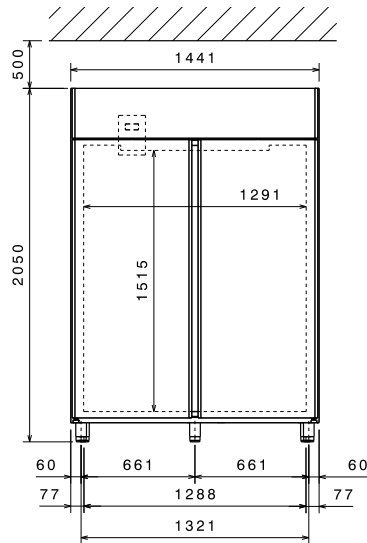
Included Accessories

- 6 of AISI 304 stainless steel grid with 2 runners, GN 2/1 PNC 881018

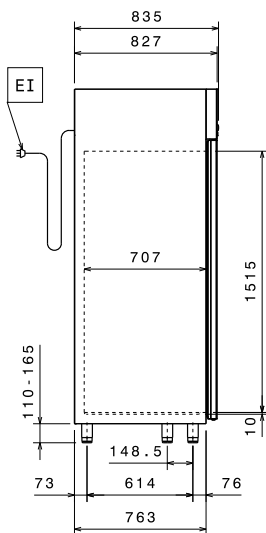
Optional Accessories

- 2 stainless steel runners for refrigerated cabinets - (Marine) PNC 880242
- Set of 8 GN1/1 PVC containers for fish PNC 880243
- Spacer for 670 lt and 1430 lt refrigerated cabinets PNC 880248
- Kit to fit pastry trays (400x600mm) PNC 880333
- Plastic container with false bottom, GN 1/1 PNC 880705
- Grey rilsan grid, GN 2/1 PNC 881004
- AISI 304 stainless steel grid, GN 2/1 PNC 881016
- AISI 304 stainless steel grid with 2 runners, GN 2/1 PNC 881018
- Grey rilsan grid with 2 runners, GN 2/1 PNC 881020
- Set of 2 stainless steel runners for 670/1430lt refrigerators and freezers PNC 881021
- Pedal opening for 1430lt refrigerators PNC 881033
- PVC container with lid and 2 runners, GN 2/1 PNC 881039
- Perforated shelf, GN 2/1 PNC 881042
- Rilsan steel wire basket h=150mm, GN 1/1 PNC 881043
- Grey rilsan basket+2 runners h=150mm, GN 2/1 PNC 881047
- ECOSTORE GLASS DOOR PROTECTION KIT PNC 881163

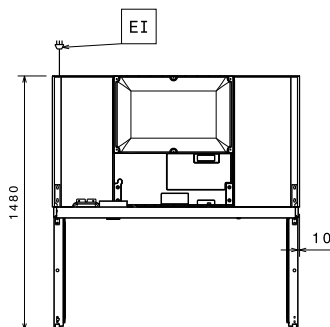
Front



Side



Top



EI = Electrical inlet (power)
RI = Refrigerant Inlet
RO = Refrigerant Outlet

Electric

Supply voltage:
728656 (CTE142GF) 220-230 V/1 ph/50 Hz
Electrical power max.: 0.68 kW

Key Information:

Gross capacity: 1430 lt
Net Volume: 1037 lt
Door hinges: 1 Left+1 Right
External dimensions, Width: 1441 mm
External dimensions, Height: 2050 mm
External dimensions, Depth: 835 mm
External dimensions, Depth with Doors Open: 1480 mm
Number and type of doors: 2 Glass
Number and type of grids (included): 6 - GN 2/1
Type of external material: 304 AISI
Type of internal material: 304 AISI
Internal panels material: 304 AISI
Number of positions & pitch: 44; 30 mm

Refrigeration Data

Control type: Digital
Refrigerant type: R404a
Refrigeration power: 965 W
Refrigeration power at evaporation temperature: -30 °C
Operating temperature min.: -15 °C
Operating temperature max.: -20 °C
Operating mode: Ventilated

Product Information (EU Regulation 2015/1094)

Energy Class: g
Yearly and daily energy consumption: 7550kWh/year - 20.68kWh/24h
Climate class: Normal duty (cl.4)
Energy Efficiency Index (EEI): 114.70