

400 Line 400lt Line Refrigerator, 1 Glass Door (White) 60Hz

ITEM # _____

MODEL # _____

NAME # _____

SIS # _____

AIA # _____



730106 (R04PVGW6)

1-glass door refrigerator 400lt,
0+10°C, prepainted white -
60Hz

Short Form Specification

Item No. _____

Exterior in white painted steel. Interior in white High Impact Polystyrene with rounded corners and 45mm thick insulation. Right hinged glass door with lock, reversible on-site. Built-in refrigeration unit; ventilated operating mode; automatic defrost and evaporation of defrost water; digital control and temperature display; internal lighting. For ambient temperatures up to 32 °C. HCFC, CFC and HFC free insulation and R134a refrigerant gas. Supplied with n. 4 grids 600x400mm, PE coated.

Main Features

- Digital control panel allowing the easy and precise setting and control of the internal temperature.
- Shelf runners are thermoformed and are incorporated in the internal structure to be easily cleanable.
- Whole interior cell with rounded corners is white thermoformed polystyrene, which is impact resistant.
- Very quiet operation.
- No joints whatsoever to eliminate dirt traps.
- Simple refrigeration system easily accessible from the rear of the units.
- Fan assisted cooling for even temperature distribution.
- Suitable for use in ambient temperatures of up to 32 ° C.
- Model equipped with roll-bond plate that has a plate installed in the internal backside of the unit equipped with a special thermostat to avoid ice formation.
- Model requires only 1 phase 220V-60Hz supply and can be plugged straight into an existing power socket.

Construction

- Developed and produced in ISO 9001 and ISO 14001 certified factory.
- All models in range are finished in top quality materials to aid durability.
- CFC and HCFC free (ecological refrigerant type: R134a, - gas in foam: cyclopentane).

Included Accessories

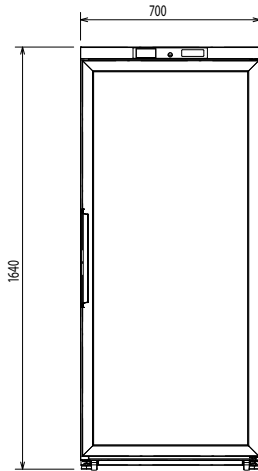
- 2 of Pair of white grids for 400lt refrigerators PNC 880292

Optional Accessories

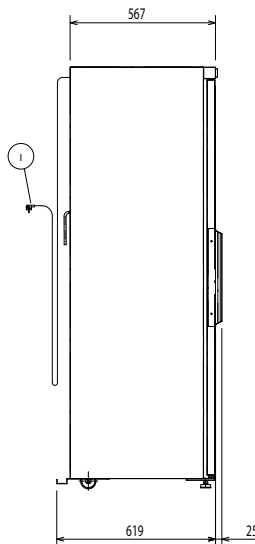
- Pair of white grids for 400lt refrigerators PNC 880292
- Pvc container with false bottom for 400lt PNC 881072

APPROVAL: _____

Front

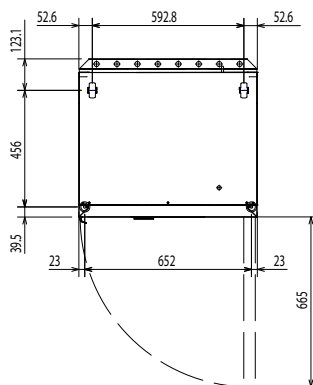


Side



EI = Electrical inlet (power)
RI = Refrigerant Inlet
RO = Refrigerant Outlet

Top



Electric

Supply voltage:
730106 (R04PVGW6) 220-230 V/1 ph/60 Hz
Electrical power max.: 0.26 kW

Key Information:

Gross capacity: 400 lt
Door hinges:
External dimensions, Width: 700 mm
External dimensions, Height: 1645 mm
External dimensions, Depth with Doors Open: 1310 mm
Noise level: 55 dBA
Number and type of grids (included): 4 - 600x400
Type of external material: Prepainted Steel
External door material: Glass

Refrigeration Data

Control type: Digital
Compressor power: 1/5 hp
Refrigerant type: R134a
Refrigeration power: 249 W
Refrigeration power at evaporation temperature: -10 °C
Refrigerant weight: 240 g
Min/Max internal humidity: 70%/85%
Operating temperature min.: 0 °C
Operating temperature max.: 10 °C
Operating mode: Ventilated
Cooling unit: Built-In
Defrost type: Automatic