

## Crio Line HP Freezer Counter - 290lt, 2- Door, No Top, Remote

ITEM # \_\_\_\_\_

MODEL # \_\_\_\_\_

NAME # \_\_\_\_\_

SIS # \_\_\_\_\_

AIA # \_\_\_\_\_



712274 (AH2F8AA)

2-door freezer counter  
290lt, -22-15°C, AISI 304, no  
top, remote

### Short Form Specification

**Item No.** \_\_\_\_\_

External and internal in AISI 304 stainless steel. Extra insulation: 90mm body insulation to minimize energy dispersion. N. 2 full doors. For connection to a remote refrigeration unit (not included). Ventilated operating mode. Evaporator. Electronic microprocessor control with external digital temperature display. Automatic defrost. Operating temperature: -18-24°C. CFC and HCFC free. R404a gas in refrigeration circuit. Gas in foam: Cyclopentane.

Supplied with n. 2X1/1GN rilsan coated grids.

### Main Features

- Adjustable temperature range from -15°C to -22°C.
- Large digital white-digit display with humidity selection button (3 preset level), internal temperature display and setting, manual activation of defrost cycle and turbo frost cycle (to rapidly cool warm loads).
- Equipped with Airflow system: forced air circulation system for rapid cooling and even temperature distribution within the cell.
- Tropicalized unit (43°C ambient temperature).
- Fitted with 90 mm thickness of cyclopentane insulation for best insulating performance (thermal conductivity: 0,020 W/m\*K) and lowest environmental impact (GWP=3).
- 0mm clearance installation space: tower configuration cooling unit guarantee performance with frontal ventilation only; this unique solution allows installation against the wall or side by side with other appliances, even on the cooling unit side to maximize the use of kitchen space.
- IQ Defrost - fully automatic defrost starts only when ice is actually building-up in the evaporator and adapts the defrosting duration to guarantee perfect ice removal while optimizing energy efficiency consumption.
- Combination of doors and drawers to suit any configuration needed, with the possibility to change the configuration on site. Right cooling unit available on request.
- Fully compliant HACCP digital control: when temperature exceeds critical limits, acoustic and visual alarms are activated. Up to two months of event are kept in memory.
- Anti-tilt runners accept GN 1/1 containers.
- Self closing stainless steel doors (< 90°).
- Certified safety CE requirements.
- Prearranged to fit RS485 port to facilitate connection to a remote computer and integrated HACCP systems.

APPROVAL: \_\_\_\_\_

### Construction

- 2 compartments with 2 doors.
- Interior base with rounded corners, pressed from a single sheet.
- Ease of cleaning and high hygiene standards thanks to the rounded internal corners, the easily removable runners, grids and air conveyors.
- Internal structure with 15 charging positions (3 cm pitch) available to host GN 1/1 grids, ensuring higher net capacity and a greater storage space.
- Removable triple-chamber balloon magnetic gasket to improve insulation and reduce energy consumption and ease of cleaning.
- Mounted on stainless steel feet to give 150 mm (-5/+50 mm) clearance for ease of cleaning the floor.
- Remote refrigeration unit.
- Developed and produced in ISO 9001 and ISO 14001 certified factory.
- Fault code display.
- Refrigerant type: R404a.
- IP21 protection index.
- Refrigerant type: R134a.

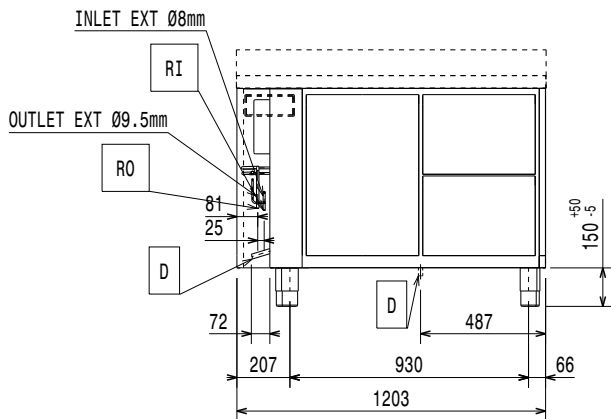
### Included Accessories

- 2 of Kit 1/1 gray rilsan grid and 2 side runners for refrigerated counters PNC 881109

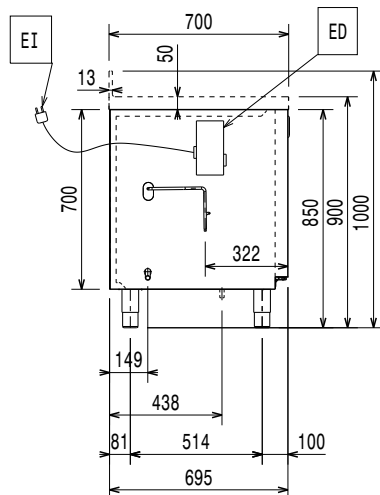
### Optional Accessories

- Automatic defrost with waste evaporation PNC 880028
- Horizontal container supports for drawers PNC 881082
- Worktop for ecostore HP refrigerated counters, remote - 2 compartments PNC 881094
- Worktop and upstand for ecostore HP refrigerated counters, remote - 2 compartments PNC 881104
- 1/1GN gray rilsan grid for refrigerated counters PNC 881107
- 2 side runners for 1/1 GN ecostore refrigerated counters PNC 881108
- Kit 1/1 gray rilsan grid and 2 side runners for refrigerated counters PNC 881109
- 1/1 GN plastic container, H=65 mm PNC 881110
- 1/1 GN plastic container, H=100 mm PNC 881111
- 1/1 GN plastic container, H=150 mm PNC 881112
- Remote unit for 670lt cabinets and freezer counters - 2 and 3 compartments PNC 881123
- KIT 710 BODY HEIGHT REMOTE (2 DOOR) PNC 881146
- Lock for refrigerated counters with 2 compartments PNC 881152

**Front**

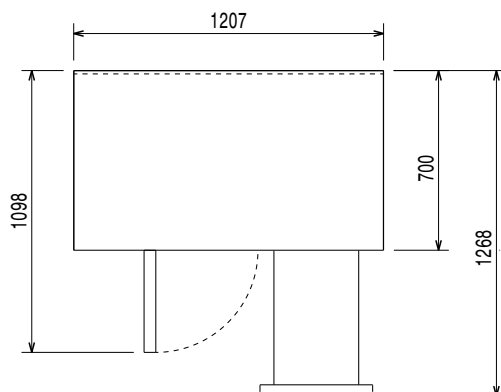


**Side**



EI = Electrical inlet (power)

**Top**



### Electric

<b>Supply voltage:</b>	712274 (AH2F8AA)	220-240 V/1 ph/50/60 Hz
<b>Electrical power max.:</b>		0.09 kW
<b>Defrost Power:</b>		0.63 kW
<b>Current consumption:</b>		0.55 Amps
<b>Plug type:</b>		CE-SCHUKO

### Key Information:

<b>Gross capacity:</b>	290 lt
<b>Net Volume:</b>	198 lt
<b>Door hinges:</b>	1 Left+1 Right
<b>External dimensions, Width:</b>	1203 mm
<b>External dimensions, Height:</b>	850 mm
<b>External dimensions, Depth:</b>	700 mm
<b>Internal Dimensions (depth):</b>	
<b>Internal Dimensions (height):</b>	
<b>Internal Dimensions (width):</b>	
<b>Shipping volume:</b>	1.13 m <sup>3</sup>
<b>Depth with doors open:</b>	1110 mm
<b>Height adjustment:</b>	-5/50 mm

### Refrigeration Data

<b>Control type:</b>	Digital
<b>Refrigerant type:</b>	R452A
<b>GWP Index:</b>	2141
<b>Operating temperature min.:</b>	-15 °C
<b>Operating temperature max.:</b>	-22 °C
<b>Operating mode:</b>	Ventilated