

ALPENINOX

Crio Smart 2 Half Door Dual Digital Refrigerator, 670lt (-2/-22)

ITEM # _____

MODEL # _____

NAME # _____

SIS # _____

AIA # _____



729454 (ARX72HDDC)

2-half door, dual temperature refrigerator 670lt, 0+6°C/-22-15°C, digital, A304

Short Form Specification

Item No. _____

Two half door refrigerator with internal and external structure in 304 AISI stainless steel; external back panel in galvanized steel and bottom panel in anti-corrosive material. Digital control with cabinet temperature display and setting and manual activation of defrost cycle. Fully compliant HACCP digital controls include visible alarms. Optimized back to front forced air flow provides even temperature distribution and fast cooling in any conditions. Fitted with 75 mm-thick cyclopentane insulating foam. On-site reversible door features lock and door microswitch to switch off the fan when the door is opened. Hidden evaporator to guarantee higher storage capacity and less corrosion problems. Built-in refrigeration unit; ventilated operation; automatic defrost and evaporation of defrost water. Dual operating temperature: -2/+10°C -15/-22°C. For ambient temperatures up to 43 °C. CFC and HCFC free. R290 gas in refrigeration circuit. Supplied with n. 3x2/1GN Rilsan coated grids and n. 3 sets of 2 stainless steel grid runners.

Main Features

- Automatic defrost.
- Large storage area suitable to contain 2/1 GN grids or shelves on anti-tilt runners.
- Cabinet fitted with up to 75 mm thickness of cyclopentane insulation for best insulating performance with 100% environmental protection (thermal conductivity: 0,020 W/m²K).
- Hidden evaporator thus guaranteeing higher storage capacity and less corrosion problems.
- Automatic evaporation of the defrosting water by hot gas on the top for energy saving.
- Internal structure with numerous charging positions available to host grids, ensuring higher net capacity and a greater storage space.
- 60 mm-thick insulation covering the evaporator can be easily removed with a single operation.
- Removable triple-chamber balloon magnetic gasket to improve insulation and reduce energy consumption and ease of cleaning.
- Rilsan coated grids for improved protection.
- Right hinged two 1/2 doors.
- Optimized back to front forced air flow provide even temperature distribution and fast cooling in any conditions.
- Digital control with cabinet temperature display and setting and manual activation of defrost cycle. Fully compliant HACCP digital controls include visible alarms.
- Tropicalized unit (43°C ambient temperature).
- This appliance is intended for use in ambient temperatures up to 40°C.
- Dual temperature type: -2 +10 °C/-15 -22 °C.

Construction

- Interior base with rounded corners, pressed from a single sheet.
- Stainless steel runners and supports easily disassembled.
- Anti-corrosion bottom avoids any damage that may be caused to the cabinet by aggressive detergents employed to clean the floors.
- Easy access to the main components for maintenance.
- Lockable door.
- Door switch stops the fan when door is opened to avoid cold air exiting the cell, thus saving energy.
- CFC and HCFC-free insulation.
- Doors are self-closing and can be fully opened up to 180°.
- The rounded internal corners, the easily removable runners and grids allow for ease of cleaning and high hygiene standards.
- R290 refrigerant to reduce green house and ozone depletion effects.

APPROVAL: _____

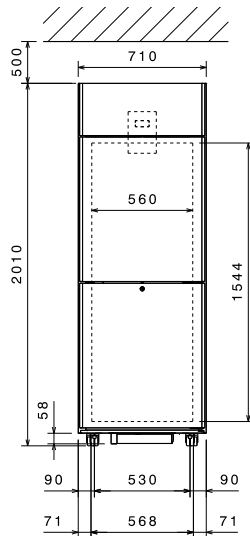
Included Accessories

- 3 of Grey rilsan grid with 2 runners, GN 2/1 PNC 881020

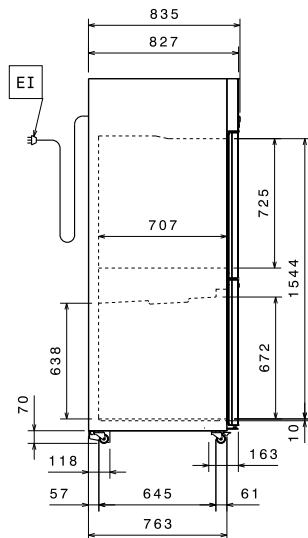
Optional Accessories

- 2 stainless steel runners for refrigerated cabinets - (Marine) PNC 880242
- Spacer for 670 lt and 1430 lt refrigerated cabinets PNC 880248
- Pedal opening for cabinets PNC 880324
- Plastic container with false bottom, GN 1/1 PNC 880705
- 4 swivelling wheels (2 with brake) for refrigerators, diam 125 mm, NOT for glass door and remote models PNC 881002
- Grey rilsan grid, GN 2/1 PNC 881004
- AISI 304 stainless steel grid, GN 2/1 PNC 881016
- AISI 304 stainless steel grid with 2 runners, GN 2/1 PNC 881018
- Grey rilsan grid with 2 runners, GN 2/1 PNC 881020
- Set of 2 stainless steel runners for 670/1430lt refrigerators and freezers PNC 881021
- Kit of 4 small swivelling wheels, 2 with brake, diam 50 mm, not for remote models PNC 881035
- Perforated shelf, GN 2/1 PNC 881042
- Rilsan steel wire basket h=150mm, GN 1/1 PNC 881043

Front

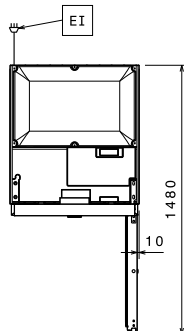


Side



EI = Electrical inlet (power)
RI = Refrigerant Inlet
RO = Refrigerant Outlet

Top



Electric

Supply voltage:	220-240 V/1 ph/50 Hz
729454 (ARX72HDDC)	
Electrical power max.:	0.66 kW
Defrost Power:	0.24 kW
Current consumption:	3.6 Amps
Plug type:	CE-SCHUKO
Energy consumption (min,default):	0 - 0 kW/h

Key Information:

Door hinges:	2 Right
External dimensions, Width:	710 mm
External dimensions, Height:	2010 mm
External dimensions, Depth:	835 mm
Number and type of doors:	2x1/2 Full
Internal Dimensions (depth):	707 mm
Internal Dimensions (width):	560 mm
Shipping volume:	1.41 m ³
Height adjustment:	0/0 mm
Number and type of grids (included):	3 - GN 2/1

Refrigeration Data

Control type:	Digital
Compressor power:	1 hp
Refrigerant type:	R290
GWP Index:	3
Refrigeration power:	586 W
Refrigeration power at evaporation temperature:	-10 °C
Refrigerant weight:	140 g
Min/Max internal humidity:	
Operating temperature min.:	-2 °C
Operating temperature max.:	10 °C
Operating mode:	Ventilated