

CRIO Chill Tech Blast Chiller-Freezer Crosswise 6 1/1 - 19,5/15kg (R452A)

ITEM # _____

MODEL # _____

NAME # _____

SIS # _____

AIA # _____



728959 (EEVAC151)

Blast chiller & freezer
19,5/15kg, compatible with
6x1/1 GN crosswise oven -
R452A

Short Form Specification

Item No. _____

For 6 GN1/1 or 600x400 mm trays. Load capacity: chilling 19,5 kg; freezing 15,2 kg (UK guidelines). Main components in 304 AISI stainless steel. Internal rounded corners and drain. Built-in refrigeration unit. Automatic detection of food probe insertion. Automatic and Manual defrost. Blast chilling real residual time estimation (A.R.T.E.). Turbo cooling function. Specific cycles for ice cream. Evaporator with antirust protection. Digital temperature and time display. HACCP and Service alarms with data logging. Operating air temperature: +3 -41°C. For ambient temperatures up to 40°C. Cyclopentane insulation (HCFC, CFC and HFC free). R452A refrigerant gas (HCFC and CFC free).

Main Features

- Blast Chilling cycle: 19,5 kg from 90°C up to 3°C in less than 90 mins.
- Blast Freezing cycle: 15 kg from 90°C up to -18°C in less than 240 min.
- Soft Chilling (air temperature -2°C).
- Hard Chilling (air temperature -20°C).
- Freezing (air temperature -36°C)
- Holding at +3 °C for chilling or -36 °C for freezing, automatically activated at the end of each cycle, to save energy and maintain the target temperature (manual activation is also possible).
- Turbo cooling: chiller works continuously at the desired temperature; ideal for continuous production.
- Control unit provides two large displays to read out: time, core temperature, cycle countdown, alarms, service information.
- Two customizable cycles (P1 & P2) for each operating mode, allowing to set the time and air temperature. These programs can be converted into ice-cream specialized cycles (shape maintenance and holding).
- All information related to the different operating models are recorded: date, time, cycle, core temperature, holding temperature, HACCP accordance.
- Single sensor core probe as standard.
- Remaining time estimation for probe-driven cycles based on artificial intelligence techniques (ARTE) for an easier planning of the activities.
- Performance guaranteed at ambient temperatures of +40°C.

Construction

- High density polyurethane insulation, 60 mm thickness, HCFC free.
- Ventilator swinging hinged panel for access to the evaporator for cleaning.
- No water connections required.
- Waste water can be plumbed into drain, but can also be collected in an optional waste container.
- Self contained 1 hp compressor.
- Environmentally friendly: R452a as refrigerant gas.
- Main components in 304 AISI stainless steel.
- Developed and produced in ISO 9001 and ISO 14001 certified factory.

APPROVAL: _____

Included Accessories

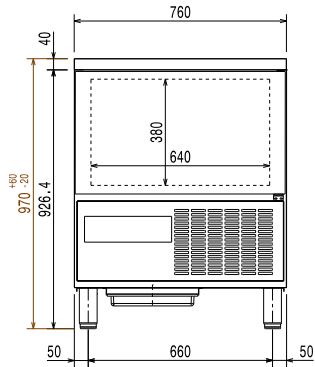
- 1 of 1 single sensor probe for blast chiller and blast chillers&freezer PNC 880213

Optional Accessories

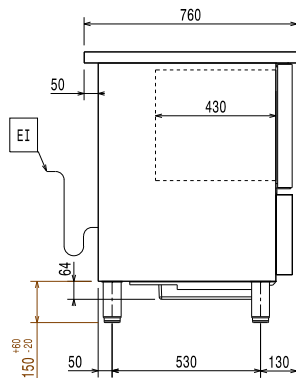
- Kit of HACCP advanced connection for blast chiller and blast chillers/freezers PNC 880183
- 3 sensor probes for blast chiller and blast chillers/freezers PNC 880212
- 1 single sensor probe for blast chiller and blast chillers&freezer PNC 880213
- Rilsan grid 600x400mm PNC 880864
- KIT WHEELS FOR 15KG BCF-H=150MM PNC 881052
- Plastic coated grid for refrigerated counters PNC 881061
- 4 wheels for blast chillers PNC 881097
- Kit for stacking 6x1/1GN oven and 15kg blast chillers and blast chillers/freezers PNC 881528
- Pair of 1/1GN grids in 304 AISI PNC 921101
- Kit HACCP EKIS PNC 922166



Front

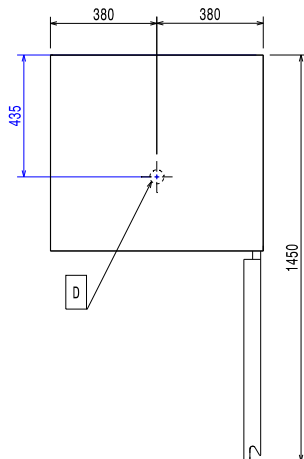


Side



EI = Electrical inlet (power)
RO = Refrigerant Outlet

Top



Electric

Supply voltage:
728959 (EEVAC151) 220-240 V/1 ph/50 Hz
Electrical power max.: 1.58 kW
Circuit breaker required

Installation:

Clearance: 5 cm on sides and back.
Please see and follow detailed installation instructions provided with the unit

Capacity:

GN: 6 - 1/1 containers
Max load capacity: 15 kg

Key Information:

Door hinges:
External dimensions, Width: 760 mm
External dimensions, Height: 970 mm
External dimensions, Depth: 760 mm
Net weight: 105 kg
Shipping weight: 115 kg
Shipping volume: 0.88 m³
Chilling-Freezing Productivity per cycle (NF Regulations): 10.8 kg - 10.8 kg
Chilling-Freezing Productivity per cycle (UK Guidelines): 19.5 kg - 15.2 kg

Refrigeration Data

Control type: Electronic
Refrigerant type: R452A
Refrigeration power: 1072 W
Refrigeration power at evaporation temperature: -25 °C
Refrigerant weight: 850 g

Product Information (Commission Regulation EU 2015/1095)

Energy consumption, cycle (chilling): 0.0991 kWh/kg
Chilling Cycle Time (+65°C to +10°C): 109 min
Full load capacity (chilling): 30 kg
Energy consumption, cycle (freezing): 0.3553 kWh/kg
Freezing Cycle Time (+65°C to -18°C): 259 min
Full load capacity (freezing): 15 kg