

Crio Tech 500 1 Door Freezer, 470lt (-15/-22) - Remote

ITEM # _____

MODEL # _____

NAME # _____

SIS # _____

AIA # _____



728837 (APS04F1FRE)

1-door prostore freezer
470lt, -22-15°C, remote, AISI
304, R404a

Short Form Specification

Item No. _____

Full door freezer constructed in 304 AISI stainless steel with external bottom panel in anti-corrosive material. Large digital display featuring cabinet temperature display and setting and turbo frost cycle (to rapidly cool warm loads). HACCP-compliant control with alarms and history. IQ defrost to defrost only when required with automatic evaporation of defrost water. Optimized airflow provides even temperature distribution on all grids. Fitted with 65 mm-thick polyurethane insulating foam. Self-closing, on-site reversible door features microswitch to switch off the fan when the door is opened and heated door frame. Hidden evaporator to guarantee higher storage capacity and less corrosion problems. Remote refrigeration unit (not included); ventilated operation; Interior LED light. For ambient temperatures up to 43 °C. CFC and HCFC free. R404a ecological refrigerant type, cyclopentane gas in foam.

Supplied with 4 x 520x442mm Rilsan coated grids and n. 4 sets of 2 stainless steel grid runners. Prearranged to fit RS485 port to facilitate connection to a remote computer and integrated HACCP systems.

Main Features

- Large digital white-digit display with cabinet temperature display and setting and turbo frost cycle (to rapidly cool warm loads).
- Fully compliant HACCP digital control: when temperature exceeds critical limits, acoustic and visual alarms are activated. Up to two months of event are kept in memory.
- Large storage area suitable to contain 520x442 mm grids or shelves to improve net capacity.
- Optimized airflow within the chamber guarantees uniformity of temperature on all grids.
- CFC and HCFC free (ecological refrigerant type: R404a, gas in foam: cyclopentane).
- Hidden evaporator thus guaranteeing higher storage capacity and less corrosion problems.
- Greater storage space: internal structure with numerous charging positions available to host grids, ensuring higher net capacity.
- Adjustable temperature range from -15°C to -22°C.
- Insulation thickness: 65 mm of polyurethane injected with ecological foaming gas cyclopentane to ensure effective insulation with minimum energy consumption (thermal conductivity: 0,020 W/m*K).
- Removable triple-chamber balloon magnetic gasket to improve insulation and reduce energy consumption and ease of cleaning.
- Optical door microswitch to stop the fan once the door is opened, thus minimizing energy waste.
- Model requires only 1 phase 230V/50Hz supply and can be plugged straight into an existing power socket.
- Interior LED light to save energy and for best internal visibility.
- Prearranged to fit RS485 port to facilitate connection to a remote computer and integrated HACCP systems.
- Complies with main international certification bodies and is CE marked.
- Self closing and on site reversible left/right doors.
- IPX5 frontal water protection.
- IQ Defrost: fully automatic defrost starts only when ice is actually building-up in the evaporator.

APPROVAL: _____

Construction

- Stainless steel AISI 304 external panels (galvanized external back).
- Inner cell with rounded corners, bottom pressed in only one piece.
- Stainless steel runners and supports easily disassembled.
- Internal components removable without the use of tools to facilitate cleaning operations.
- Pressed stainless steel door handle without joints gathering dust and dirt.
- Easy access to the main components for maintenance.
- Developed and produced in ISO 9001 and ISO 14001 certified factory.
- Automatic heated door frame.

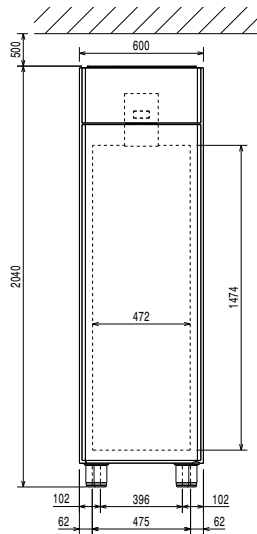
Included Accessories

- 4 of Plastic coated grid (520x442) PNC 880319
- 1 of Pedal opening for cabinets PNC 880324
- 4 of Pair of runners for 470 and 720lt prostore cabinets PNC 880335

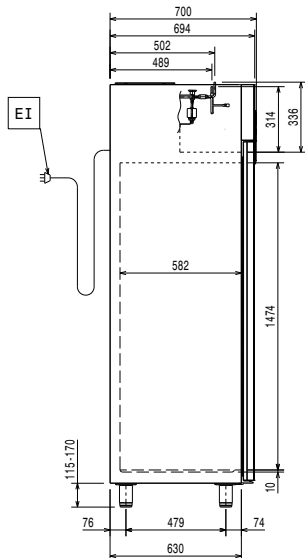
Optional Accessories

- Kit integrated HACCP for digital refrigerators (IR33) PNC 880252
- Plastic coated grid (520x442) PNC 880319
- Stainless steel grid (520x442) PNC 880321
- Pedal opening for cabinets PNC 880324
- Kit 4 feet, height 200mm PNC 880325
- Kit of 4 feet-h=67 (marine) PNC 880326
- Kit pair of runners (marine) PNC 880327
- Base frame for 1/1 GN rack for 470lt prostore PNC 880328
- Pair of runners for 470 and 720lt prostore cabinets PNC 880335
- Remote unit for 670lt cabinets and freezer counters - 2 and 3 compartments PNC 881123

Front



Side

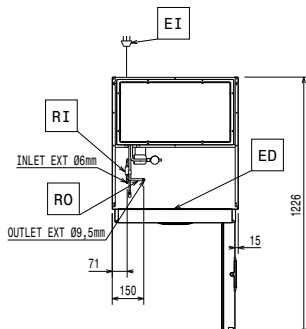


EI = Electrical inlet (power)

RI = Refrigerant Inlet

RO = Refrigerant Outlet

Top



Electric

Supply voltage:

728837 (APS04F1FRE) 230 V/1 ph/50 Hz

Electrical power max.:

0.175 kW

Key Information:

Gross capacity:	470 lt
Door hinges:	Right Side
External dimensions, Width:	600 mm
External dimensions, Height:	2040 mm
External dimensions, Depth:	700 mm
External dimensions, Depth with Doors Open:	1226 mm
Number and type of doors:	1 Full
Internal Dimensions (depth):	582 mm
Internal Dimensions (height):	1474 mm
Internal Dimensions (width):	472 mm
Noise level:	
Height adjustment:	15/40 mm
Number and type of grids (included):	4 - 520x442
Type of external material:	304 AISI
Type of internal material:	304 AISI
Number of positions & pitch:	44; 22 mm

Refrigeration Data

Control type:	Digital
Refrigerant type:	R404a
Operating temperature min.:	-22 °C
Operating temperature max.:	-15 °C
Operating mode:	Ventilated
Cooling unit:	Remote
Defrost type:	Electric
Suggested refrigeration power*:	573 W
Condition at evaporation temperature:	-30 °C
Condition at condensation temperature:	55 °C
Condition at ambient temperature:	32 °C
Connection pipes (remote) - outlet:	9.5 mm
Connection pipes (remote) - inlet:	6 mm

*Note:

Ref. Power calculated at a linear distance of 15 mt (piping)