

160 Line 1 Door Undercounter Refrigerator (+2/+10) - Stainless steel

ITEM # _____

MODEL # _____

NAME # _____

SIS # _____

AIA # _____



727468 (RUCR16X16)

1-door undercounter refrigerator 160lt, +2°/+10°C stainless steel, 60Hz

Short Form Specification

Item No. _____

430 AISI stainless steel reversible door with lock. Interior in white High Impact Polystyrene with 30mm insulation. Inner cell with rounded corners. Door with removable "balloon" gasket. Built-in refrigeration unit; ventilated operating mode; automatic defrost; automatic evaporation of defrost water; electro-mechanical control; external digital temperature display; internal light. Temperature range +2°/+10°C at 43°C ambient temperature. CFC and HCFC free insulation. R134a gas in refrigeration circuit. Gas in foam: Cyclopentane. IP23 protection. Supplied with n.3 rilsan grids.

Main Features

- Internal light and lockable door.
- Refrigerators models have operating temperatures that can be adjusted from +2 to +10 °C to suit both meat and dairy storage requirements.
- Very quiet operation: noise level less than 45 dB (A).
- Digital temperature display and simple electromechanical control panel.
- Automatic defrost and automatic evaporation of defrost water.
- Shelf runners are thermoformed and are incorporated in the internal structure to be easily cleanable.
- Compact cooling unit easily accesible from the rear of the appliance.
- Simple control panel.
- Temperature display.
- Model requires only 1 phase 230V supply and can be plugged straight into an existing power socket.

Construction

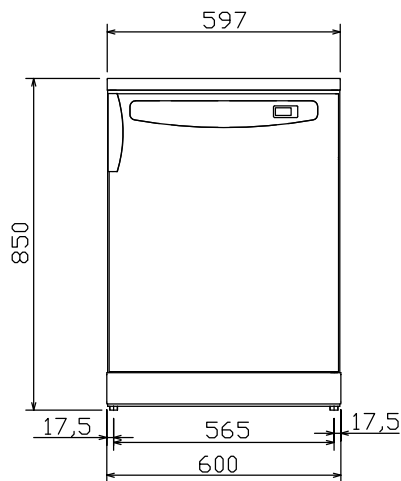
- Reversible door.
- Built-in compressor to suit operating conditions.
- Interior cell is completely in white High Impact Polystyrene and has no joints to eliminate dirt traps.
- The rounded internal corners, the easily removable runners and grids allow for ease of cleaning and high hygiene standards.
- 50 mm thick insulation, with cyclopentane injection for long-term insulation and energy saving.
- CFC and HCFC-free insulation.
- Refrigerant type: R134a.
- IP23 protection index.
- Developed and produced in ISO 9001 and ISO 14001 certified factory.
- Delivered with UK plug.
- Built-in refrigeration unit.
- The rounded internal corners, the easily removable grids allow for ease of cleaning and high hygiene standards.
- 30 mm thick insulation with cyclopentane injection for long-term insulation and energy saving.

Optional Accessories

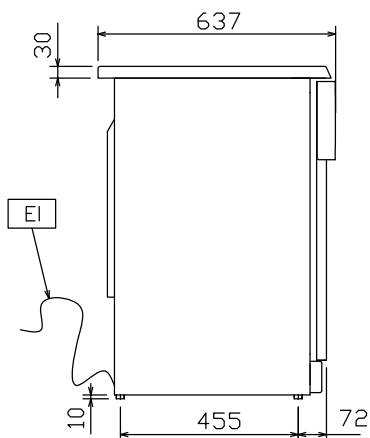
- Stacking kit for 160lt undercounter grey painted refrigerator PNC 880146
- Bottle holder for 3 bottles for 160lt undercounter refrigerator PNC 880159

APPROVAL: _____

Front

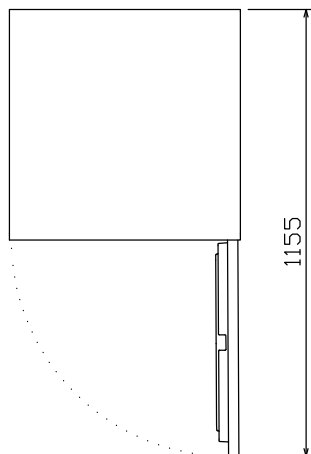


Side



EI = Electrical inlet (power)
RI = Refrigerant Inlet
RO = Refrigerant Outlet

Top



Electric

Supply voltage:
 727468 (RUCR16X16) 220-230 V/1 ph/60 Hz
Electrical power max.: 0.17 kW

Key Information:

Gross capacity: 165 lt
N° of doors: 1
Door hinges:
External dimensions, Width: 600 mm
External dimensions, Height: 850 mm
External dimensions, Depth: 637 mm
Noise level: 53 dBA
Height adjustment: 0/10 mm
Number and type of grids (included): 3 -
Type of internal material: High Impact White Polystyrene
External side panels: Prepainted Steel
External top panels: Grey ABS
External door material: Stainless Steel
Internal panels material: High Impact White Polystyrene
Internal side panels material: High Impact White Polystyrene
Built-in Compressor and Refrigeration Unit

Refrigeration Data

Control type: Mechanical
Refrigerant type: R134a
Refrigeration power: 188 W
Refrigeration power at evaporation temperature: -12 °C
Refrigerant weight: 65 g
Operating temperature min.: 2 °C
Operating temperature max.: 10 °C
Operating mode: Ventilated
Cooling unit: Built-In
Defrost type: Automatic