

## Roll-in 2 Glass Door Refrigerator, 2700lt (+2/+10) - Remote

ITEM # \_\_\_\_\_

MODEL # \_\_\_\_\_

NAME # \_\_\_\_\_

SIS # \_\_\_\_\_

AIA # \_\_\_\_\_



729178 (ADVP20VR1G)

2-glass door roll-in refrigerator  
2700lt, +2/+10°C, AISI 304,  
remote

### Short Form Specification

**Item No.** \_\_\_\_\_

External and internal in AISI 304 stainless steel. Insulation thickness 75mm. N. 2 glass doors. Remote refrigeration unit (not included); ventilated operating mode. Digital control panel; temperature display; humidity control; hidden evaporator; automatic defrost and automatic evaporation of defrost water. Operating temperature +2/+10°C. For ambient temperatures up to 32°C. CFC and HCFC free. R134a gas in refrigeration circuit. Gas in foam: Cyclopentane.

### Main Features

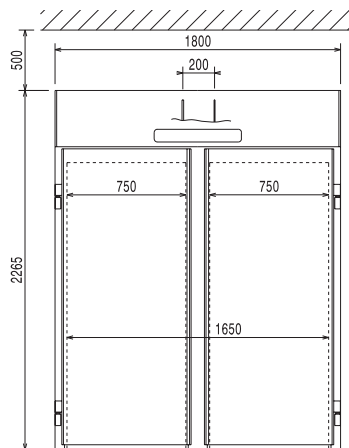
- Internal light.
  - Certified safety CE requirements.
  - Adjustable temperature range from -2 °C to +10 °C to suit meat, fish and dairy storage requirements.
  - The operating temperature can be adjusted from +2 to +10°C to suit both meat and dairy storage requirements.
  - Performance guaranteed at ambient temperatures of +32°C.
  - Simple control panel: on/off switch, high/low humidity switch and digital temperature display.
  - Large digital white-digit display with humidity selection button (3 preset level), internal temperature display and setting, manual activation of defrost cycle and turbo frost cycle (to rapidly cool warm loads).
  - Automatic defrost and automatic evaporation of defrost water.
  - Equipped with Optiflow forced air circulation system for rapid cooling and temperature distribution within the cell.
  - Ventilated cooling for optimal temperature distribution.
  - Tropicalized unit (43°C ambient temperature).
  - Fitted with 90 mm thickness of cyclopentane insulation for best insulating performance (thermal conductivity: 0,020 W/m\*K) and lowest environmental impact (GWP=3).
  - Universal shock-protectors on all sides.
  - 0mm clearance installation space: tower configuration cooling unit guarantee performance with frontal ventilation only; this unique solution allows installation against the wall or side by side with other appliances, even on the cooling unit side to maximize the use of kitchen space.
  - Frost Watch Control starts automatically the defrosting process only when needed and ends once ice is melted, improving energy efficiency results.
  - Combination of doors and drawers to suit any configuration needed, with the possibility to change the configuration on site. Right cooling unit available on request.
  - Fully compliant HACCP digital control: when temperature exceeds critical limits, acoustic and visual alarms are activated. Up to two months of event are kept in memory.
  - Anti-tilt runners accept GN 1/1 containers.
  - Self closing stainless steel doors (< 90°).
  - Prearranged to fit RS485 port to facilitate connection to a remote computer and integrated HACCP systems.
  - Two full glass doors.
- ### Construction
- Remote refrigeration unit.
  - Interior cell and external panel are constructed in 304 AISI stainless steel.

APPROVAL: \_\_\_\_\_

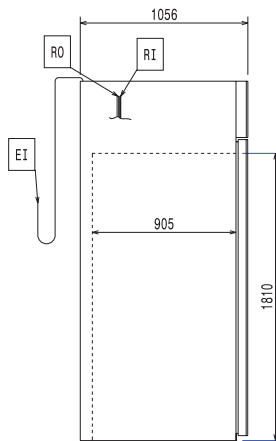
- 75 mm thick insulation, with cyclopentane injection for long-term insulation and energy saving.
- CFC and HCFC-free insulation.
- Refrigerant type: R134a.
- Developed and produced in ISO 9001 and ISO 14001 certified factory.
- Interior base with rounded corners, pressed from a single sheet.
- Ease of cleaning and high hygiene standards thanks to the rounded internal corners, the easily removable runners, grids and air conveyors.
- Internal structure with 15 charging positions (3 cm pitch) available to host GN 1/1 grids, ensuring higher net capacity and a greater storage space.
- Removable triple-chamber balloon magnetic gasket to improve insulation and reduce energy consumption and ease of cleaning.
- Internal structure with numerous charging positions available to host grids, ensuring higher net capacity and a greater storage space.
- Internal and external doors, front and side panels and removable worktop in AISI 304 Stainless steel.
- External bottom panel in stainless steel.
- External back panel in galvanized steel.
- Fault code display.

### Optional Accessories

- |  |                                     |
|--|-------------------------------------|
| • 17x2/1GN container trolley             | PNC 361258 <input type="checkbox"/> |
| • 17x2/1GN compact container trolley     | PNC 361260 <input type="checkbox"/> |
| • Trolley for 2/1GN roll-in rack         | PNC 880017 <input type="checkbox"/> |
| • Base for roll-in-rack                  | PNC 880018 <input type="checkbox"/> |
| • 2/1GN roll-in rack                     | PNC 881449 <input type="checkbox"/> |
| • Trolley for 20 2/1 GN roll-in rack     | PNC 922134 <input type="checkbox"/> |
| • Base for 20 2/1 GN roll-in rack        | PNC 922142 <input type="checkbox"/> |
| • 60-mm pitch roll-in rack for 20 2/1 GN | PNC 922204 <input type="checkbox"/> |
| • 80-mm pitch roll-in rack for 14 2/1 GN | PNC 922206 <input type="checkbox"/> |

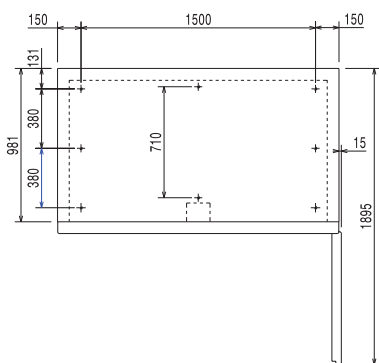


**Front**



**Side**

**EI** = Electrical inlet (power)  
**RI** = Refrigerant Inlet  
**RO** = Refrigerant Outlet



**Top**

### Electric

Supply voltage:	729178 (ADVP20VR1G)	230 V/1 ph/50 Hz
Electrical power max.:		0.4 kW
Defrost Power:		1.2 kW
Current consumption:		1.95 Amps
Plug type:		CE-SCHUKO
Energy consumption (min,default):		0 - 0 kW/h

### Key Information:

Gross capacity:	2700 lt
Net Volume:	
Door hinges:	
External dimensions, Width:	1800 mm
External dimensions, Height:	2265 mm
External dimensions, Depth:	1056 mm
Number and type of doors:	2 Glass
Internal Dimensions (depth):	900 mm
Internal Dimensions (height):	1815 mm
Internal Dimensions (width):	1650 mm
Net weight:	372 kg
Shipping volume:	5.15 m <sup>3</sup>
Height adjustment:	0/0 mm
Number and type of grids (included):	

### Refrigeration Data

Control type:	Digital
Compressor power:	
Refrigerant type:	R134a
GWP Index:	1430
Refrigeration power:	0 W
Refrigeration power at evaporation temperature:	0 °C
Refrigerant weight:	0 g
Min/Max internal humidity:	75/90/
Operating temperature min.:	2 °C
Operating temperature max.:	10 °C
Operating mode:	Ventilated

### Product Information (EU Regulation 2015/1094)

**Energy Class:**  
**Yearly and daily energy consumption:**  
**Climate class:**  
**Energy Efficiency Index (EEI):**