



Vegetable Slicer Multi Green Vegetable Cutter 2.6QT with 2 blade package

ITEM # _____
 MODEL # _____
 NAME # _____
 SIS # _____
 AIA # _____



600395 (MUGYU)

MULTIGREEN 2.6QT (2.5L)
115V

Short Form Specification

Item No.

MultiGreen Food Processor/Vegetable Slicer, continuous feed & 2.6 quart (2.5 litre) plastic bowl with S blade, 2 blade package, 1/2 HP, 1800 rpm, 115v/60Hz/1phase.

Delivered with:

- 2.6 quart (2.5 liter) cutter bowl in plastic with smooth edge "S" blade included
- All plastic vegetable prep attachment with a half moon hopper and a cylindrical hopper
- 2 discs included: TD2 1/16" (2mm) slicing disc and RD4 5/32" (4mm) grating disc

WARRANTY: 1 year Parts & 1 year Labor

Main Features

- Complete selection of stainless steel blades available diameter 6 3/4" (175 mm).
- Automatic restart of the machine with the half-moon shaped lever in position.
- Continuous feed model.
- Delivered with:
 - 2.6 quart (2.5 liter) cutter bowl in plastic with smooth edge "S" blade included
 - All plastic vegetable prep attachment with a half moon hopper and a cylindrical hopper
 - 2 discs included: TD2 1/16" (2mm) slicing disc and RD4 5/32" (4mm) grating disc
- Magnetic safety system and motor brake. Prevents machine from running when lever swings away or is open.
- Red OFF, green ON buttons.
- Round (long vegetables) and half moon feed hoppers.
- Combi machine equipped with a "Fresh Cut" and Cutter equipment with all the parts in contact with food removable and dishwasher safe.
- Vegetable attachment designed for slicing, shredding and grating; cutter mixer for chopping, mixing, mincing and blending.

Construction

- Power: 370 watts.
- All polycarbonate plastic hopper and housing.
- Compact and portable design.
- Power: 370 watts (1/3 HP).
- 1 speed: 1800 rpm plate speed.

Included Accessories

- 1 of MultiGreen Grating Blade, 5/32" (4mm) PNC 653004
- 1 of MultiGreen Cutter Equipment, set of plastic PNC 653145 bowl, lid & rotor
- 1 of MultiGreen Slicing Blade, 5/64" (2mm) PNC 653176
- 1 of MultiGreen Lid, plastic BPA free PNC 653512
- 1 of MultiGreen Continuous feed hopper with safety lever PNC 653770

Optional Accessories

- MultiGreen Slicing Blade, 3/16" (5mm) PNC 653001
- MultiGreen Slicing Blade, 9/32" (7mm) PNC 653002
- MultiGreen Grating Blade, 1/8" (3mm) PNC 653003
- MultiGreen Grating Blade, 5/32" (4mm) PNC 653004
- MultiGreen Grating Blade, 9/32" (7mm) PNC 653005
- MultiGreen Julienne Blade, 5/32" (4mm) PNC 653006
- MultiGreen Wavy Blade, 5/64" (2mm) PNC 653007
- MultiGreen set of stainless steel bowl, lid & rotor PNC 653047



APPROVAL: _____

Multi Green Vegetable Cutter 2.6QT with 2 blade package
Vegetable Slicer



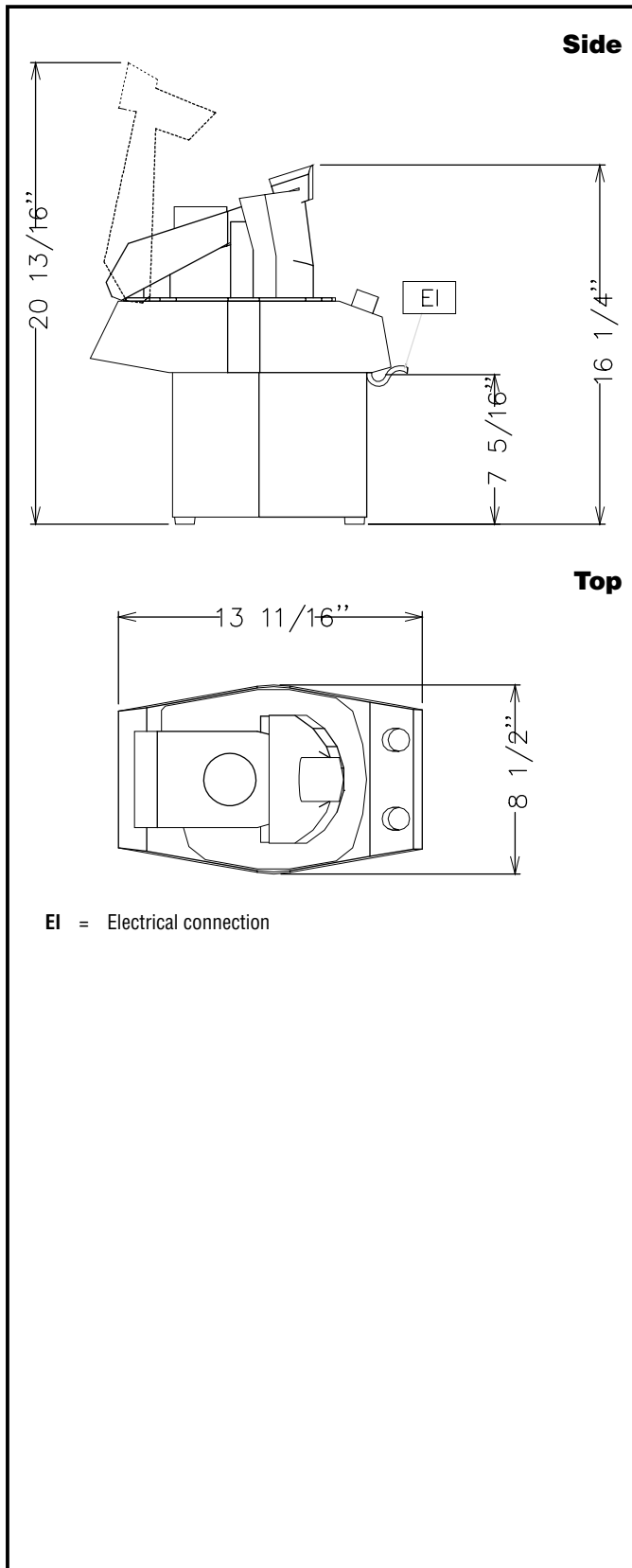


Vegetable Slicer Multi Green Vegetable Cutter 2.6QT with 2 blade package

- MultiGreen and TRS Storage Case (for 1 blade only) PNC 653050
- MultiGreen Cutter Equipment, set of plastic bowl, lid & rotor PNC 653145
- MultiGreen Smooth Blade Rotor for 2.6 qts PNC 653146
- MultiGreen Julienne Blade, 5/64" (2mm) PNC 653171
- MultiGreen Slicing Blade, 5/64" (2mm) PNC 653176
- MultiGreen Slicing Blade, 1/8" (3mm) PNC 653177
- MultiGreen Grating Blade, 5/64" (2mm) PNC 653178
- MultiGreen Bowl, 2.6 qts (2.5L), stainless steel PNC 653487
- MultiGreen Bowl, 2.6 qts (2.5L), plastic BPA free PNC 653488
- MultiGreen Lid, plastic BPA free PNC 653512
- MultiGreen Disc Snack Pack (includes TD2, TD5, RD2) PNC 653535
- MultiGreen Continuous feed hopper with safety lever PNC 653770



Vegetable Slicer Multi Green Vegetable Cutter 2.6QT with 2 blade package



Electric

Supply voltage:

600395 (MUGYU) 220-240 V/1 ph/50/60 Hz

Electrical power, max:

0.45 kW

Total Watts:

0.45 kW

Plug type:

USA NEMA 5-15P

Horsepower:

1/2 HP

Key Information:

External dimensions, Width: 8 1/2" (216 mm)

External dimensions, Depth: 13 11/16" (347 mm)

External dimensions, Height: 16 1/4" (412 mm)

Shipping weight: 35 lbs (16 kg)