

Saladette XL Saladette, 2 doors (R452a)

ITEM # _____

MODEL # _____

NAME # _____

SIS # _____

AIA # _____


725062 (SALXL2D)

2-door Refrigerated Counter, Saladette XL with raised container support +2+4°C, 290lt, AISI 304 (on wheels) - R452A

Short Form Specification

Item No. _____

External and internal in AISI 304 stainless steel. Worktop thickness mm50. Insulation thickness mm60. N. 2 full doors. Built-in refrigeration unit. Ventilated operating mode. Electronic control with external digital temperature display. Operating temperature: +2+4°C. For ambient temperature up to +32°C. CF and HCFC free. R452a gas in refrigeration circuit. Gas in foam: Cyclopentane. Supplied with 2X1/1GN grey rilsan grids. Mounted on wheels.

Main Features

- 60 mm insulation for energy saving.
- Anti-tilt runners accept GN 1/1 containers.
- Forced air circulation for rapid cooling and an even temperature distribution.
- Suitable for use in ambient temperatures of up to 32 °C.
- No cross-contamination between upper and lower part (nothing will fall in the lower compartment).
- Electronic control with external digital temperature display.
- Connectivity ready for real time access to connected appliances from remote and data monitoring (requires optional accessory).

Construction

- Access to all components from the front.
- Built-in compressor to suit operating conditions.
- Developed and produced in ISO 9001 and ISO 14001 certified factory.
- Mounted on wheels.
- Rounded internal corners for ease of cleaning.
- Worktop in AISI 304 Stainless steel with a 50 mm profile.
- Constructed from AISI 304 Stainless steel throughout to meet the highest hygiene standards.
- Heavy duty, balanced stainless steel lid, easy to remove and turn to facilitate cleaning.
- Large front working top (400 mm depth).
- Easy to clean: removable internal support structure with no dirt traps for unbeatable hygiene.
- If needed, working top can be removed for easier handling during installation (in case of narrow doors).
- Environmentally friendly: R452a as refrigerant gas.

APPROVAL: _____

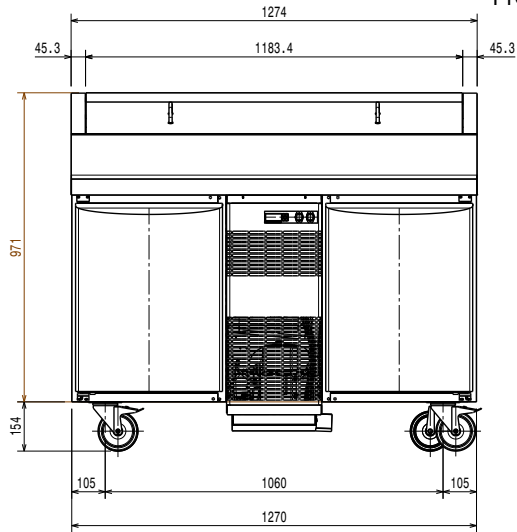
Included Accessories

- 2 of 1/1GN grey rilsan grid PNC 881435

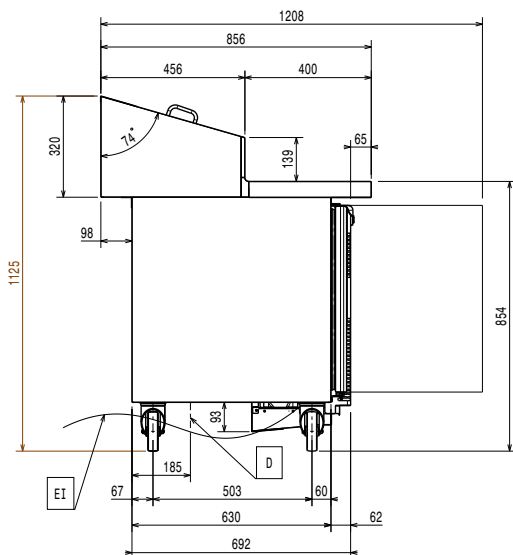
Optional Accessories

- Kit integrated HACCP for digital refrigerators (IR33) PNC 880252
- 1/1GN grey rilsan grid PNC 881435
- Lock for refrigerated counters PNC 881499
- Kit 2 drawers 1/2+rack-HD refrigerated counters - not for freezer version PNC 881514
- Kit 3 drawers 1/3+rack-HD refrigerated counters - not for freezer version PNC 881515

Front

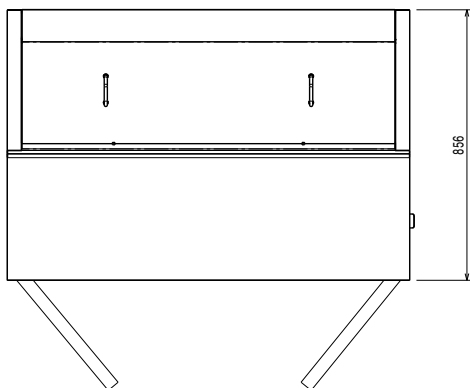


Side



D = Drain
 EI = Electrical inlet (power)

Top


Electric
Supply voltage:
725062 (SALXL2D)

230 V/1 ph/50 Hz

Key Information:

Gross capacity:	291 lt
External dimensions, Width:	1274 mm
External dimensions, Height:	1122 mm
External dimensions, Depth:	856 mm
External dimensions, Depth with Doors Open:	1110 mm
Type of external material:	304 AISI
Type of internal material:	304 AISI
Internal side panels material:	304 AISI

Built-in Compressor and Refrigeration Unit
Refrigeration Data

Compressor power:	3/4 hp
Refrigerant type:	R452A
Refrigeration power:	1684 W
Refrigerant weight:	535 g
Operating temperature min.:	2 °C
Operating temperature max.:	4 °C

Saladette
XL Saladette, 2 doors (R452a)

The company reserves the right to make modifications to the products without prior notice. All information correct at time of printing.

2020.07.15