

Premium Preparation Sink Unit with 2 Bowls - Left Drain

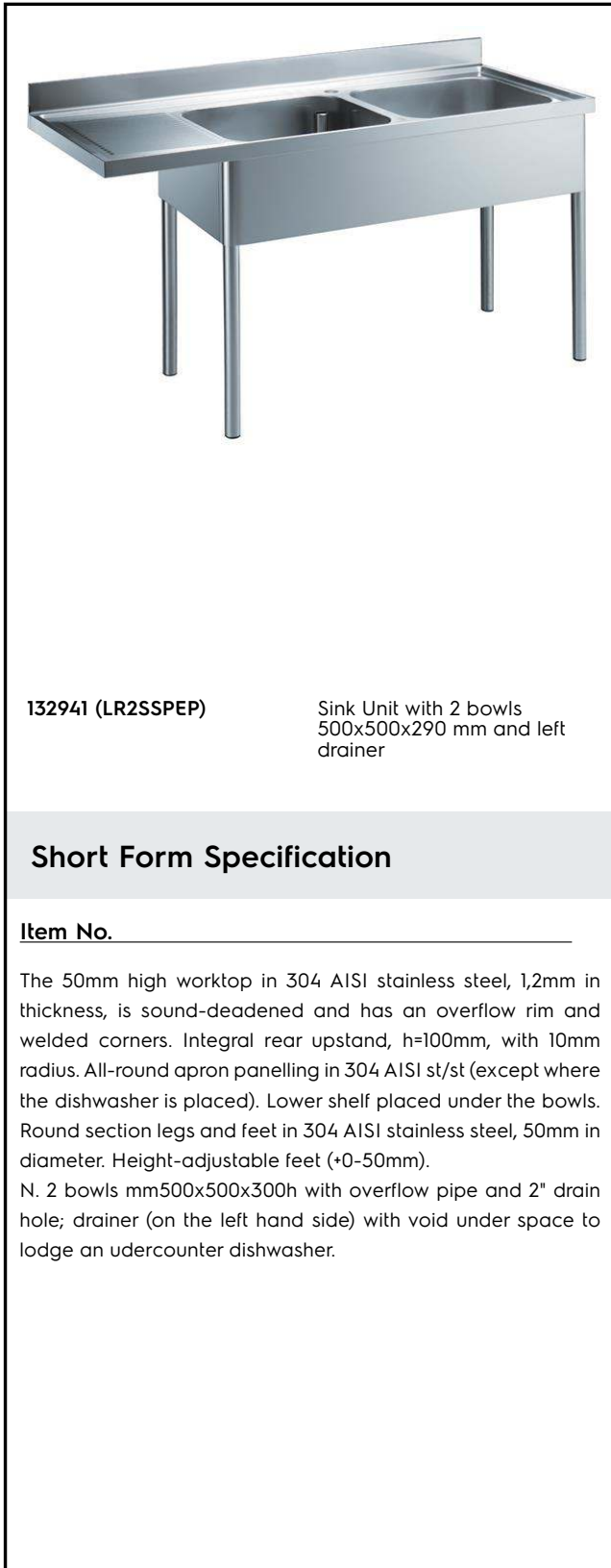
ITEM # _____

MODEL # _____

NAME # _____

SIS # _____

AIA # _____


132941 (LR2SSPEP)

 Sink Unit with 2 bowls
 500x500x290 mm and left
 drainer

Short Form Specification

Item No.

The 50mm high worktop in 304 AISI stainless steel, 1,2mm in thickness, is sound-deadened and has an overflow rim and welded corners. Integral rear upstand, h=100mm, with 10mm radius. All-round apron panelling in 304 AISI st/st (except where the dishwasher is placed). Lower shelf placed under the bowls. Round section legs and feet in 304 AISI stainless steel, 50mm in diameter. Height-adjustable feet (+0-50mm).

N. 2 bowls mm500x500x300h with overflow pipe and 2" drain hole; drainer (on the left hand side) with void under space to lodge an undercounter dishwasher.

APPROVAL: _____

Main Features

- Sturdiness, stability and reliability of table accurately tested.

Construction

- 50 mm thick lower shelf, in 304 AISI stainless steel, can be easily slotted into position, 200 mm from the floor.
- Bottom part of drain left free to house an undercounter dishwasher.
- Wide range of taps are available to suit every need.
- Drainage area suitable for drying operations
- Round section legs with feet in 304 AISI stainless steel, 50 mm in diameter, adjustable in height by +0/-40 mm.
- 100 mm upstand with 10 mm radiused corner and 13 mm deep, designed to be used against a wall.
- Heavy duty construction entirely in AISI 304 stainless steel to offer maximum durability.

Optional Accessories

- Double plastic drain syphon 2" for sinks PNC 850022
- Lower shelf for 1200mm for units PNC 855282
- 3-sided underframe for 1200mm tables PNC 855290
- Wheel kit for cupboards, 4 wheels (2 with brakes), D=1000 mm PNC 855299
- Prewash spray Unit, single hole PNC 855315
- Mixer tap with spout, foot pedal operated for sinks on legs PNC 855317
- Mixer tap with swivel spout 3/4", single hole PNC 855319
- Maxi reel retractable hose spray unit, 10m PNC 855320
- Maxi reel retractable hose spray unit, 15m PNC 855321
- Elbow operated mixer tap with spout 3/4", single hole PNC 855322
- Elbow operated mixer tap with short spout 3/4", single hole PNC 855323
- Elbow operated tap with spray arm and spout, single hole PNC 855324
- Infrared mixer tap with spout 3/4", single hole PNC 855325
- HD mixer tap with spray arm 3/4", single hole PNC 855326
- Maxi reel retractable hose spray unit, 6m PNC 855327
- Foot operated mixer tap (hot and cold) with spout 3/4" PNC 855328
- Mixer tap with spray and spout 3/4", single hole PNC 855329
- Overflow filter for Bowl (H=295mm) PNC 895135
- Overflow filter for Bowl (H=270mm) PNC 895136



Electrolux
PROFESSIONAL

Premium Preparation Sink Unit with 2 Bowls - Left Drain

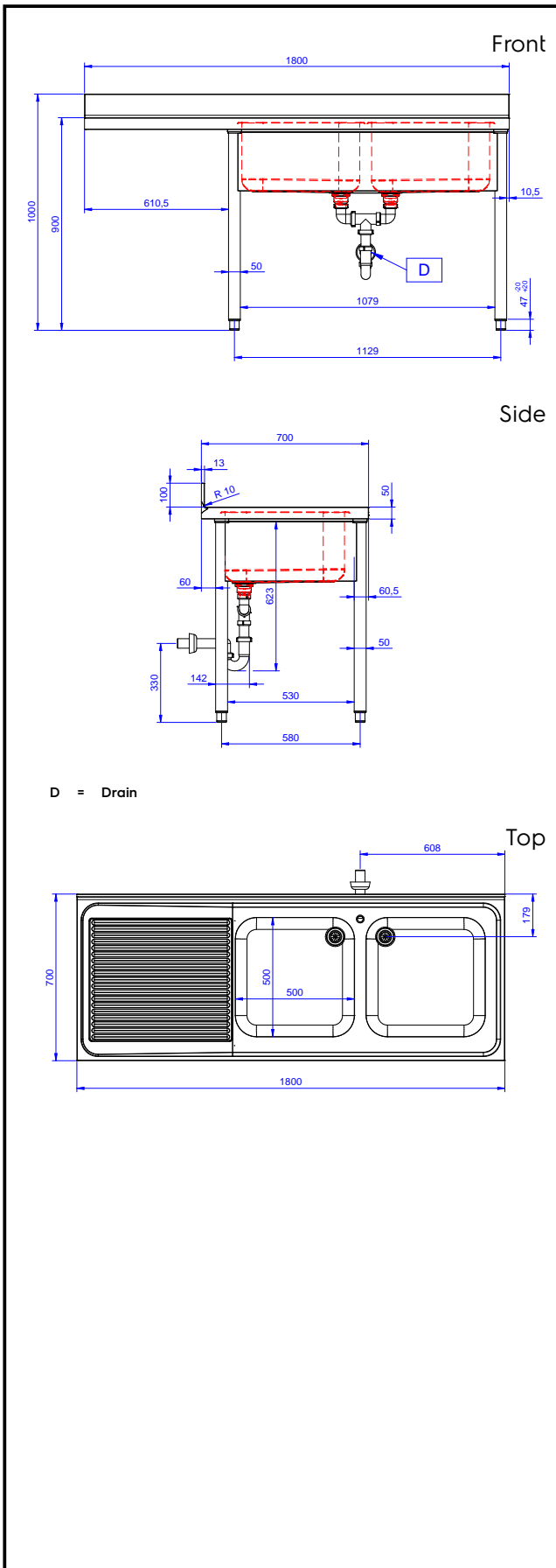
- False bottom for right and left hand 500x500 mm bowl PNC 895200
- Single plastic drain syphon 2" for Sinks PNC 895313
- Single brass drain syphon 2" for sinks PNC 895314



**Premium Preparation
Sink Unit with 2 Bowls - Left Drain**

The company reserves the right to make modifications to the products without prior notice. All information correct at time of printing.

2020.09.15



Key Information:

External dimensions, Width:	1800 mm
132941 (LR2SSPEP)	1800 mm
External dimensions, Height:	900 mm
External dimensions, Depth:	700 mm
Upstand Dimensions, Height:	100 mm
Upstand Dimensions, Depth:	13 mm
Upstand Dimensions, Radius:	R=10
Bowls number	2
Bowl dimensions	500x500xH300
Worktop thickness:	50 mm
Net weight:	80 kg