

Premium Preparation Sink Unit with 2 Bowls - Right Drain

ITEM # _____

MODEL # _____

NAME # _____

SIS # _____

AIA # _____


132940 (LR2DSXPEP)

 Sink Unit with 2 bowls
 500x500x290 mm and right
 drainer

Short Form Specification

Item No.

The 50mm high worktop in 304 AISI stainless steel, 1,2mm in thickness, is sound-deadened and has an overflow rim and welded corners. Integral rear upstand, h=100mm, with 10mm radius. All-round apron panelling in 304 AISI st/st (except where the dishwasher is placed). Lower shelf placed under the bowls. Round section legs and feet in 304 AISI stainless steel, 50mm in diameter. Height-adjustable feet (+0-50mm).

N. 2 bowls mm500x500x300h with overflow pipe and 2" drain hole; drainer (on the right hand side) with void under space to lodge an undercounter dishwasher.

APPROVAL: _____

Main Features

- Sturdiness, stability and reliability of table accurately tested.

Construction

- 50 mm thick lower shelf, in 304 AISI stainless steel, can be easily slotted into position, 200 mm from the floor.
- Bottom part of drain left free to house an undercounter dishwasher.
- Wide range of taps are available to suit every need.
- Drainage area suitable for drying operations
- Round section legs with feet in 304 AISI stainless steel, 50 mm in diameter, adjustable in height by +0/-40 mm.
- 100 mm upstand with 10 mm radiused corner and 13 mm deep, designed to be used against a wall.
- Heavy duty construction entirely in AISI 304 stainless steel to offer maximum durability.

Optional Accessories

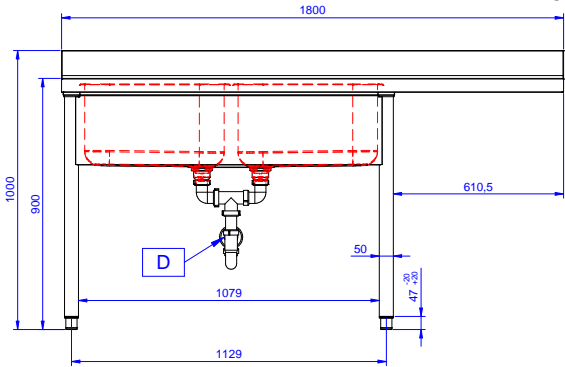
- Double plastic drain syphon 2" for sinks PNC 850022
- Lower shelf for 1200mm for units PNC 855282
- 3-sided underframe for 1200mm tables PNC 855290
- Wheel kit for cupboards, 4 wheels (2 with brakes), D=1000 mm PNC 855299
- Prewash spray Unit, single hole PNC 855315
- Mixer tap with spout, foot pedal operated for sinks on legs PNC 855317
- Mixer tap with swivel spout 3/4", single hole PNC 855319
- Maxi reel retractable hose spray unit, 10m PNC 855320
- Maxi reel retractable hose spray unit, 15m PNC 855321
- Elbow operated mixer tap with spout 3/4", single hole PNC 855322
- Elbow operated mixer tap with short spout 3/4", single hole PNC 855323
- Elbow operated tap with spray arm and spout, single hole PNC 855324
- Infrared mixer tap with spout 3/4", single hole PNC 855325
- HD mixer tap with spray arm 3/4", single hole PNC 855326
- Maxi reel retractable hose spray unit, 6m PNC 855327
- Foot operated mixer tap (hot and cold) with spout 3/4" PNC 855328
- Mixer tap with spray and spout 3/4", single hole PNC 855329
- Overflow filter for Bowl (H=270mm) PNC 895136
- False bottom for right and left hand 500x500 mm bowl PNC 895200

- Single plastic drain syphon 2" for Sinks PNC 895313
□
- Single brass drain syphon 2" for sinks PNC 895314
□

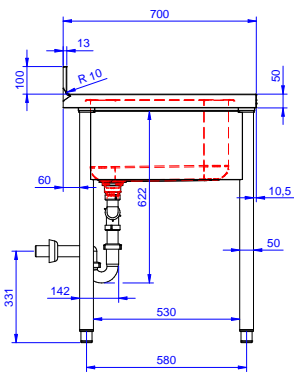
Key Information:

| | |
|-------------------------------------|--------------|
| External dimensions, Width: | 1800 mm |
| 132940 (LR2DSXPEP) | |
| External dimensions, Height: | 900 mm |
| External dimensions, Depth: | 700 mm |
| Upstand Dimensions, Height: | 100 mm |
| Upstand Dimensions, Depth: | 13 mm |
| Upstand Dimensions, Radius: | R=10 |
| Bowls number | 2 |
| Bowl dimensions | 500x500xH300 |
| Worktop thickness: | 50 mm |
| Net weight: | 80 kg |

Front



Side



D = Drain

Top

